

# NOCCHI Multi EVO-E

## CENTRIFUGAL MULTISTAGE ELECTRIC PUMPS WITH INVERTER

**NEW 2016**  
PENTAIR



**ACS**

Prodotto Conforme  
D.M. 174/2004

The system is composed of a Multi EVO-E horizontal multistage electric centrifugal pump and a CPS electronic control system (inverter), which allows the pressure to be maintained constant in the system, reducing or increasing the electric pump motor rotation speed.

All models are certified for use with household water (ACS and DM174)

### ADVANTAGES

Electric pumps in the Multi EVO-E series offer the following advantages:

- High-level reliability - thanks to the resistant and innovative design
- Silent operation - improved user comfort thanks to its silent operation
- Compact form
- Wide range of performance levels for the residential market.
- Excellent priming capacity.



### SPECIFICATIONS:

#### PUMP

- Hydraulic performance conforms to ISO 9906:2012 - Grade 3B
- Type of liquid: clean water with no suspended solids or abrasive material
- Maximum liquid temperature 50°C
- Maximum operating pressure 8 bar
- Maximum recommended suction height 6m with foot valve

#### MOTORE

- Enclosed, air ventilated (TEFC)
- 2 poles, 50 Hz (n=2850 rpm)
- IE3 three-phase AC ( $\geq 0.75$  kW)
- Protection class: IP55
- Insulation class: F
- Maximum room temperature 40°C
- Single phase power supply



### APPLICATIONS

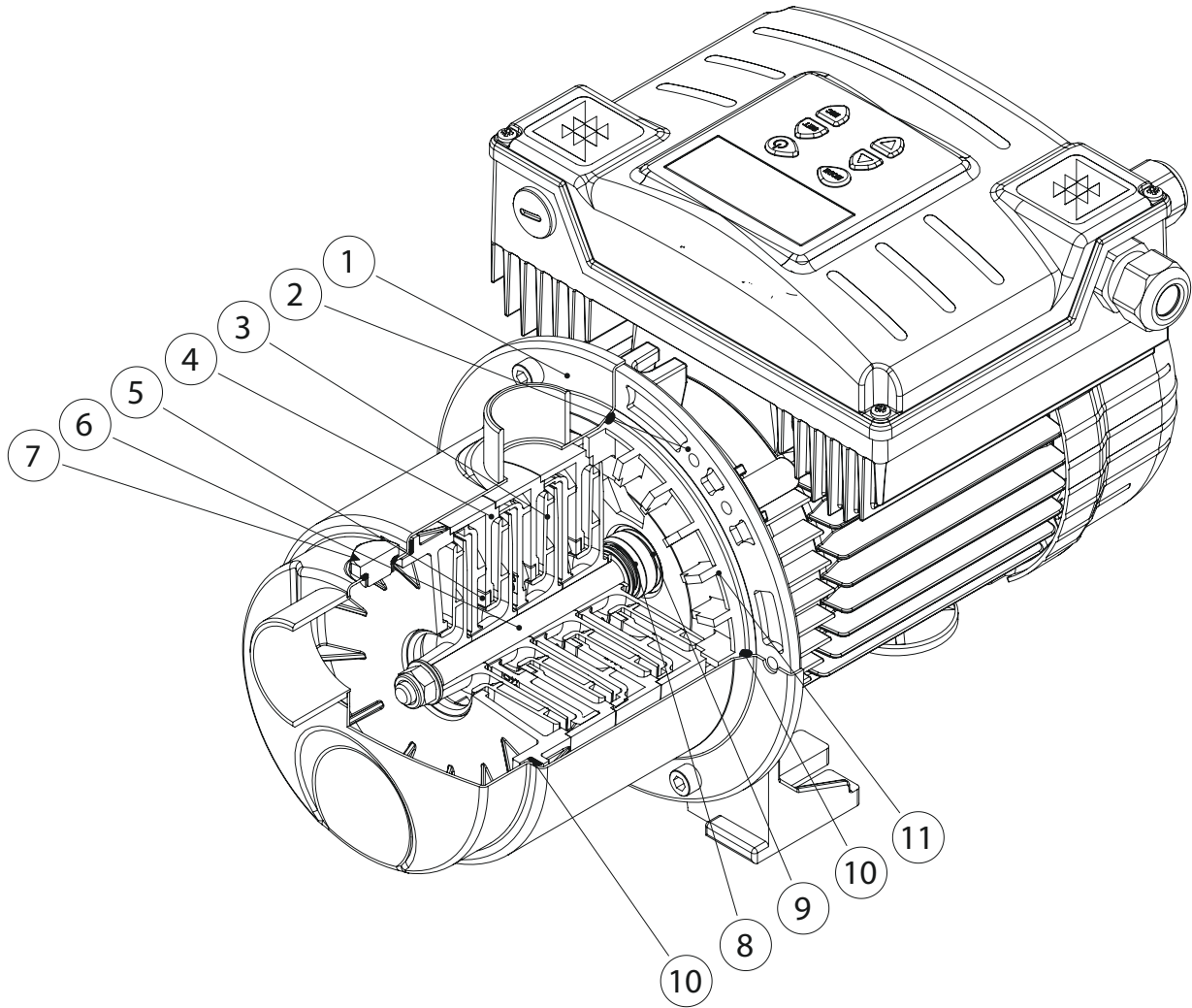
- Pressurization and supply
- Irrigation
- Re-utilization of rainwater
- Cleaning systems



# NOCCHI Multi EVO-E

## CENTRIFUGAL MULTISTAGE ELECTRIC PUMPS WITH INVERTER

### DESIGN FEATURES



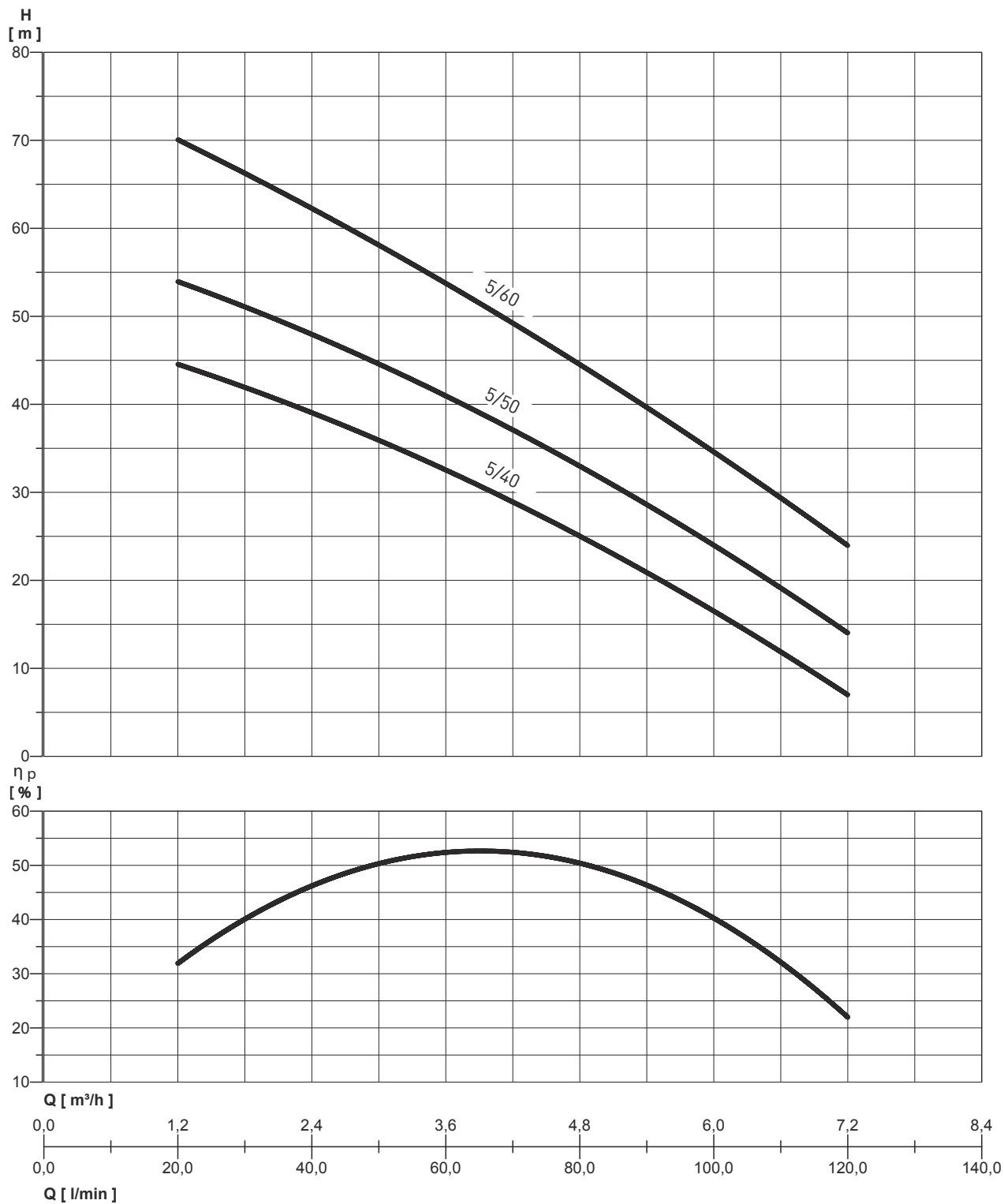
### TABLE OF MATERIALS

Ref.	Component	Material
1	Pump body	Stainless steel Europe: EN10088-1 X5CrNi18-10 (1.4301) USA: AISI 304
2	Motor casing	Die-cast aluminium
3	Impeller	Fibreglass reinforced PPO
4	Diffuser	Fibreglass reinforced PPO
5	Wear ring	PTFE
6	Shaft (hydraulic part)	Stainless steel Europe: EN10088-1 X5CrNi18-10 (1.4301) USA: AISI 304
7	Inlet / outlet caps	Stainless steel Europe: EN10088-1 X8CrNiS18-9 (1.4305) USA: AISI 303
8	Mechanical seal	Carbon graphite / NBR / SS Europe: EN10088-1 X5CrNi18-10 (1.4301) USA: AISI 304
9	Counterface	Ceramic / NBR
10	Gaskets	NBR 70 Shore A
11	Seal holder plate	Fibreglass reinforced PPO

# NOCCHI Multi EVO-E 5

## CENTRIFUGAL MULTISTAGE ELECTRIC PUMPS WITH INVERTER

### HYDRAULIC PERFORMANCE

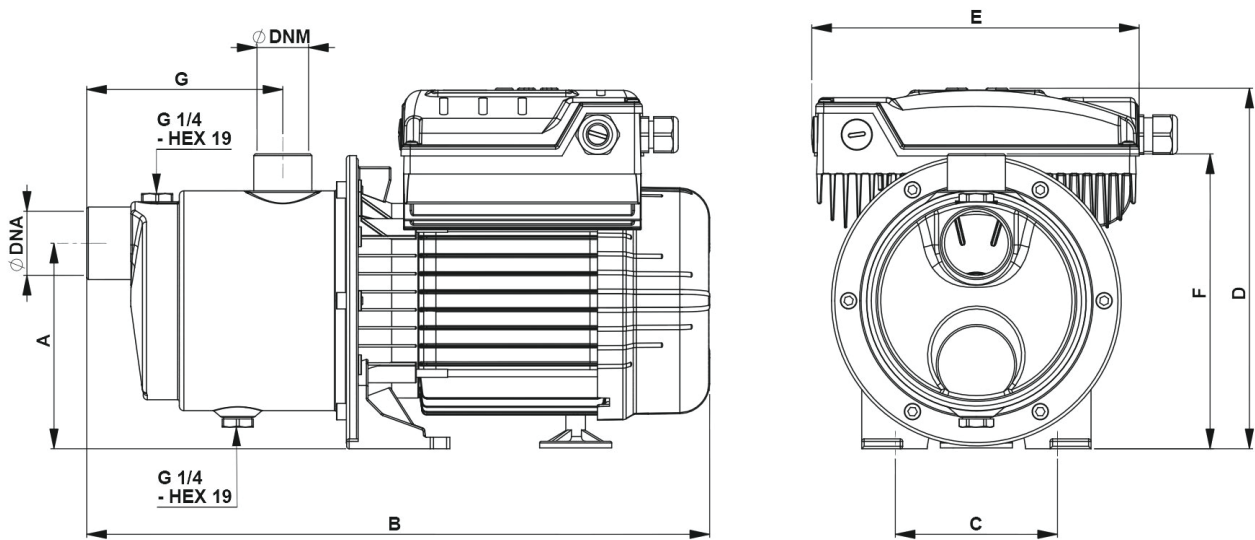


# NOCCHI Multi EVO-E 5

## CENTRIFUGAL MULTISTAGE ELECTRIC PUMPS WITH INVERTER

### PERFORMANCE TABLE

MODEL	Nominal power (P2)		Absorbed power (P1)		Voltage (V)	In (A)	Q	Flow rate								
	HP	kW	HP	kW				l/min	20	30	40	50	60	80	100	120
								m <sup>3</sup> /h	1,2	1,8	2,4	3	3,6	4,8	6	7,2
Multi EVO-E 5-40	0,94	0,7	1,34	1	1 ~ 230	7	total head in metres water column		44,5	42	39	36	32,5	25	16,5	7
Multi EVO-E 5-50	1,2	0,9	1,68	1,25	1 ~ 230	8,5			54	51	48	44,5	41	33	24	14
Multi EVO-E 5-60	1,74	1,3	2,4	1,8	1 ~ 230	11,5			70	66,5	62	58	54	44,5	34,5	24



### OVERALL DIMENSIONS AND WEIGHTS

MODEL	Dimensions mm.										Weight (Kg)
	A	B	C	D	E	F	G	DNA	DNM		
Multi EVO-E 5-40 M	125	380	100	220	198	180	119	1"1/4	1"	12,2	
Multi EVO-E 5-50 M	125	380	100	220	198	180	119	1"1/4	1"	13	
Multi EVO-E 5-60 M	125	413	100	230	198	180	119	1"1/4	1"	14,5	