

EN
NEW



JSW 2[®]



 **PEDROLLO[®]**
... the spring of life

NEW

TECHNICAL CHARACTERISTICS

- ▶ New self-priming electric water pumps
- ▶ Original design by Pedrollo (patented)
- ▶ More silent
- ▶ Better hydraulic characteristics
- ▶ Better priming performances
- ▶ Reduced energy consumption
- ▶ Impeller in stainless steel AISI 304
- ▶ Registered models

INSTALLATION AND USE

Suitable for use with clean water and liquids that are not chemically aggressive towards the materials from which the pump is made. The self-priming **JSW** pumps are designed to pump water even in cases where air is present. As a result of their reliability and the fact that they are easy to use, they are recommended for use in domestic applications such as the distribution of water in combination with small or medium sized pressure sets, and for the irrigation of gardens and allotments, etc.

APPLICATION LIMITS

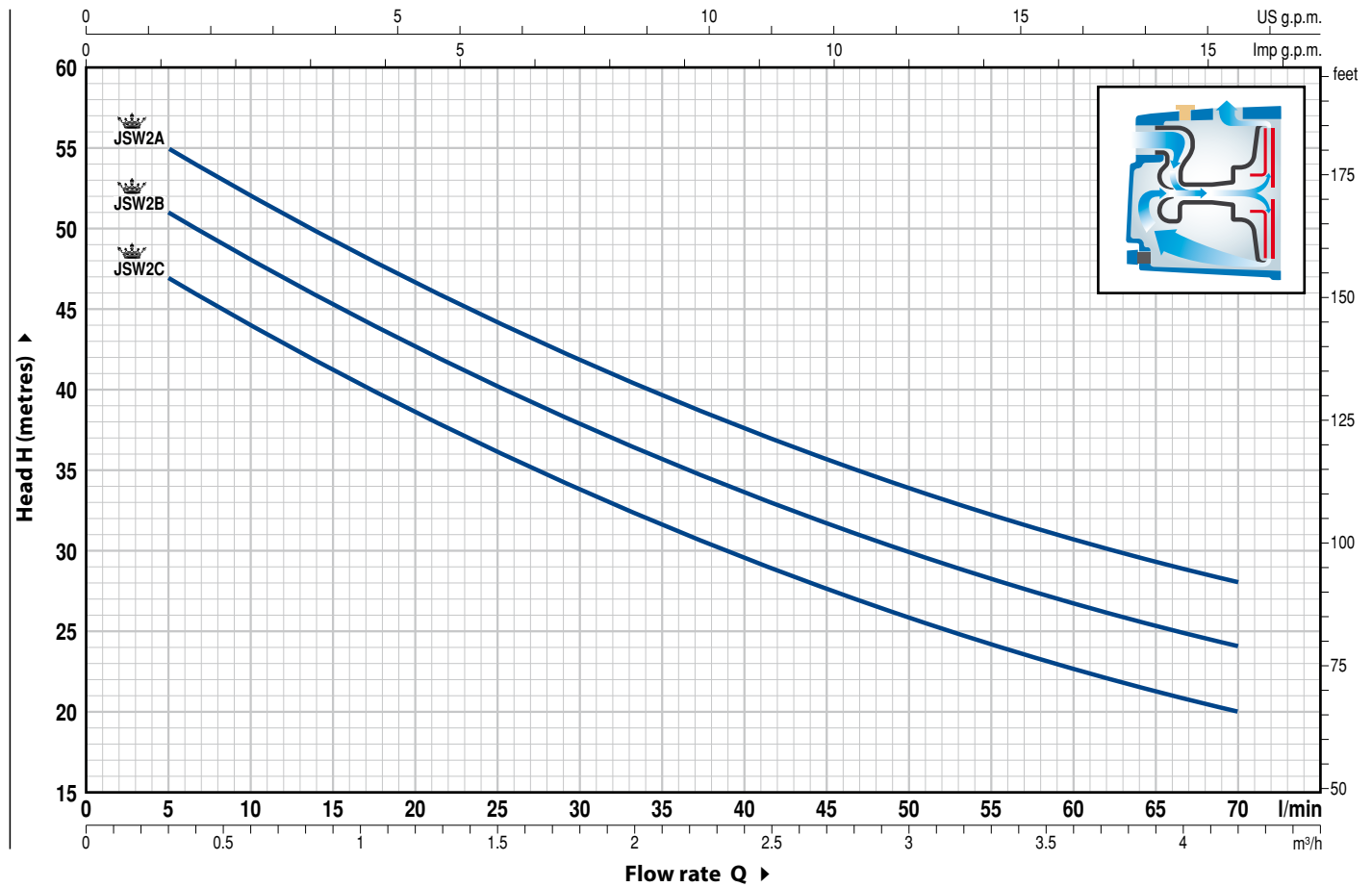
- Manometric suction lift up to **9 m (HS)**
- Liquid temperature between **-10 °C** and **+40 °C**
- Ambient temperature up to **+40 °C**
- Max. working pressure **6.5 bar**
- Continuous service **S1**

PATENTS - TRADE MARKS - MODELS

- Registered model JSW[®]
- Registered Community Design n° 002218610
- European Patent n° 1 510 696

CHARACTERISTIC CURVES AND PERFORMANCE DATA

50 Hz n = 2900 1/min HS = 0 m



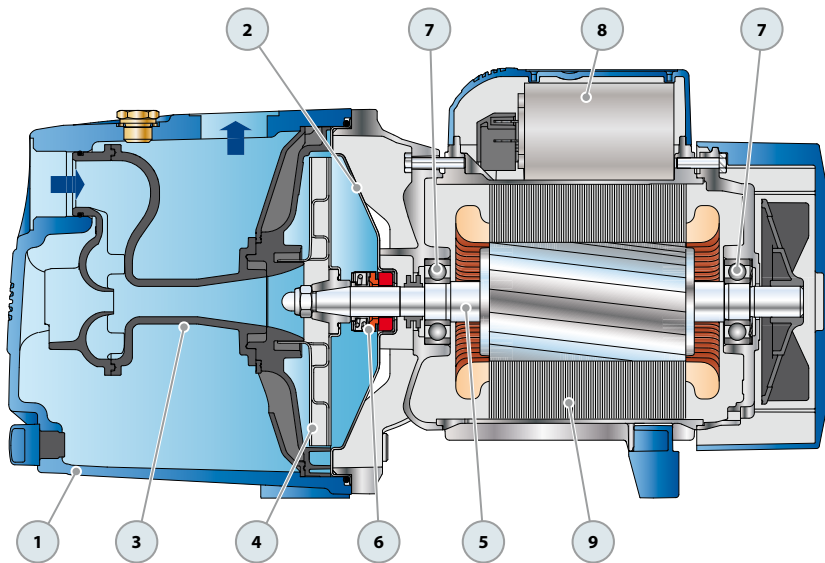
MODEL		POWER		Q	Flow rate													
Single-phase	Three-phase	kW	HP		0	0.3	0.6	1.2	1.5	1.8	2.4	2.7	3.0	3.6	4.2			
				l/min	0	5	10	20	25	30	40	45	50	60	70			
JSWm 2C	JSW 2C	0.75	1	H metres	50	47	44	38.5	36	34	29.5	27.5	26	22.5	20			
JSWm 2B	JSW 2B	0.90	1.25		54	51	48	42.5	40	38	33.5	31.5	30	26.5	24			
JSWm 2A	JSW 2A	1.1	1.5		58	55	52	46.5	44	42	37.5	35.5	34	31	28			

Q = Flow rate H = Total manometric head HS = Suction height

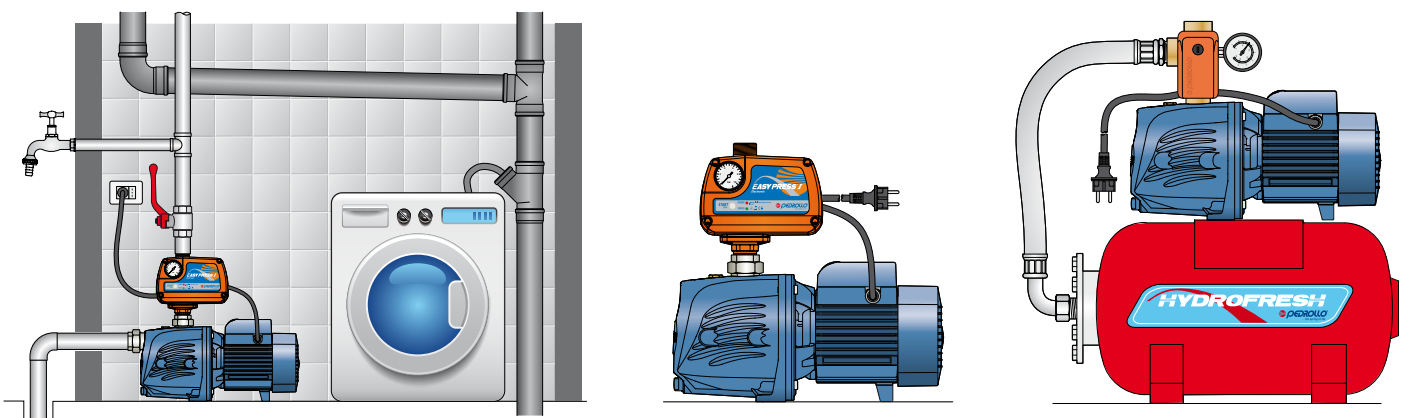
Tolerance of characteristic curves in compliance with EN ISO 9906 Grade 3.

POS. COMPONENT CONSTRUCTION CHARACTERISTICS

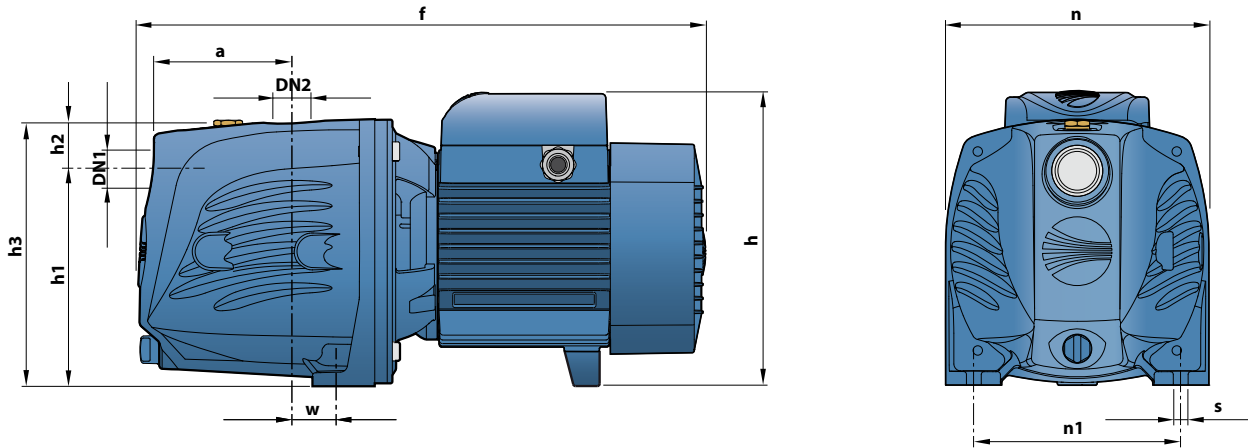
1	PUMP BODY	Cast iron, complete with threaded ports in compliance with ISO 228/1				
2	BODY BACKPLATE	Stainless steel AISI 304				
3	NOZZLE ASSEMBLY	Noryl FE1520PW				
4	IMPELLER	Stainless steel AISI 304				
5	MOTOR SHAFT	Stainless steel AISI 304 EN 10088-3 - 1.4104				
6	MECHANICAL SEAL	<i>Seal Model</i>	<i>Shaft Diameter</i>	<i>Stationary ring</i>	<i>Materials Rotational ring</i>	<i>Elastomer</i>
		AR-14	Ø 14 mm	Ceramic	Graphite	NBR
7	BEARINGS	6203 ZZ / 6203 ZZ				
8	CAPACITOR	<i>Pump Single-phase</i>	<i>Capacitance (230 V or 240 V)</i>	<i>(110 V)</i>		
		JSWm 2C	20 µF 450 VL	60 µF 300 VL		
		JSWm 2B	25 µF 450 VL	60 µF 300 VL		
		JSWm 2A	25 µF 450 VL	60 µF 300 VL		
9	ELECTRIC MOTOR	<p>JSWm: single-phase 230 V - 50 Hz with thermal overload protector built-in to the winding. JSW: three-phase 230/400 V - 50 Hz.</p> <p>➔ Pumps fitted with the three-phase motor option offer IE2 (IEC 60034-30) class high performance. ➔ Stator and rotor are made out of magnetic sheet with low iron loss.</p> <p>- Insulation: F class. - Protection: IP X4.</p>				



INSTALLATION EXAMPLE



DIMENSIONS AND WEIGHT



MODEL		PORTS		DIMENSIONS mm										kg	
Single-phase	Three-phase	DN1	DN2	a	f	h	h1	h2	h3	n	n1	w	s	1~	3~
JSWm 2C	JSW 2C	1"	1"	96	388	201	147	33	180	180	142	22	10	13.0	13.1
JSWm 2B	JSW 2B													13.9	14.0
JSWm 2A	JSW 2A													14.2	14.3

ABSORPTION

MODEL	VOLTAGE (single-phase)		
Single-phase	230 V	240 V	110 V
JSWm 2C	4.7 A	4.5 A	9.4 A
JSWm 2B	5.8 A	5.3 A	11.6 A
JSWm 2A	6.0 A	5.5 A	12.0 A

MODEL	VOLTAGE (three-phase)					
Three-phase	230 V	400 V	690 V	240 V	415 V	720 V
JSW 2C	3.5 A	2.0 A	1.2 A	3.4 A	2.0 A	1.2 A
JSW 2B	4.6 A	2.7 A	1.6 A	4.4 A	2.5 A	1.5 A
JSW 2A	5.1 A	3.0 A	1.7 A	4.9 A	2.8 A	1.6 A

PALLETIZATION

MODEL		GROUPAGE				CONTAINER			
Single-phase	Three-phase	n° pumps	H (mm)	kg		n° pumps	H (mm)	kg	
				1~	3~			1~	3~
JSWm 2C	JSW 2C	72	1520	960	967	96	1980	1272	1282
JSWm 2B	JSW 2B	72	1520	1025	1032	96	1980	1358	1368
JSWm 2A	JSW 2A	72	1520	1046	1054	96	1980	1387	1397

