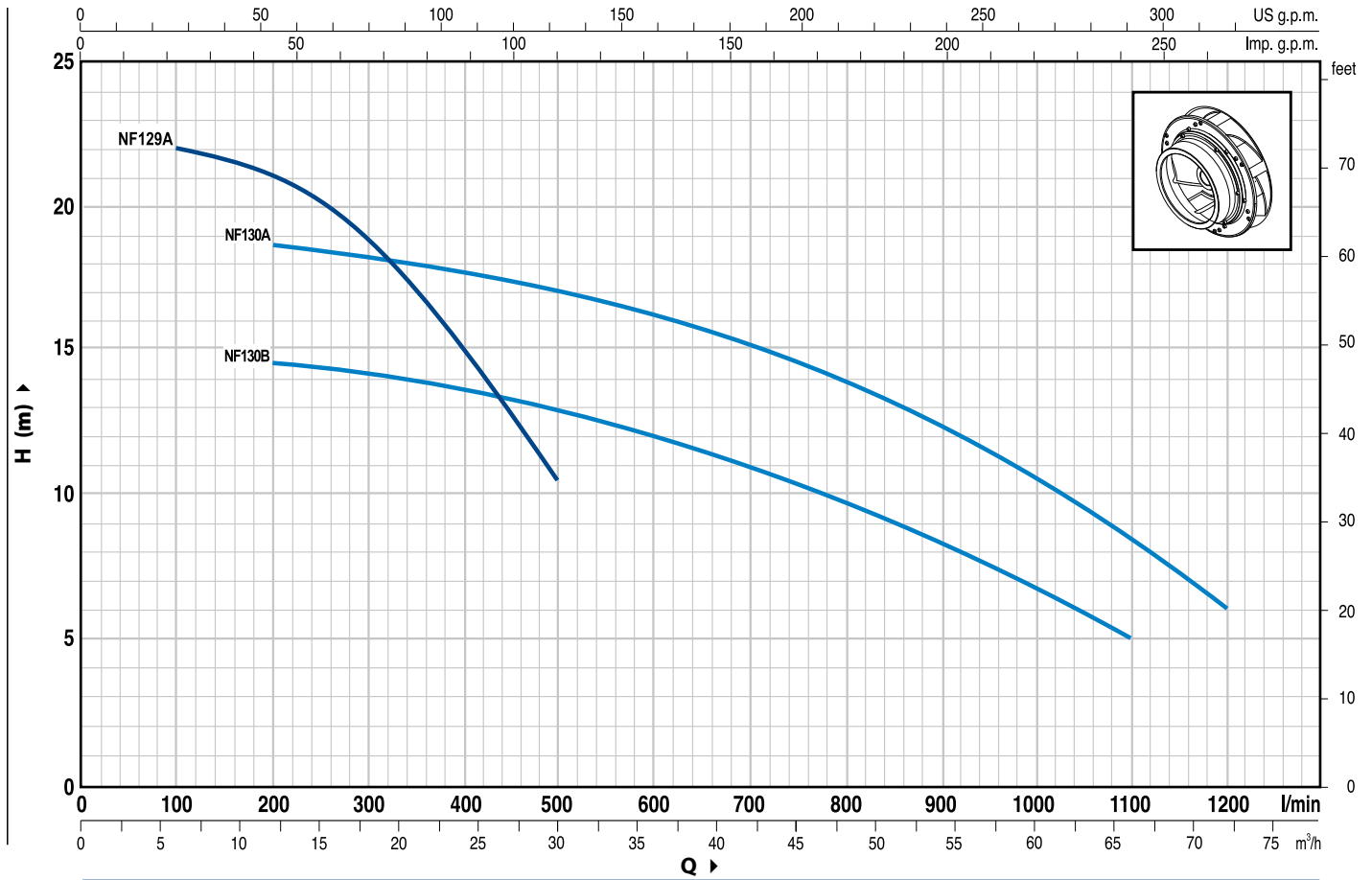


CURVE E DATI DI PRESTAZIONE / CURVES AND PERFORMANCE DATA

n= 2900 1/min

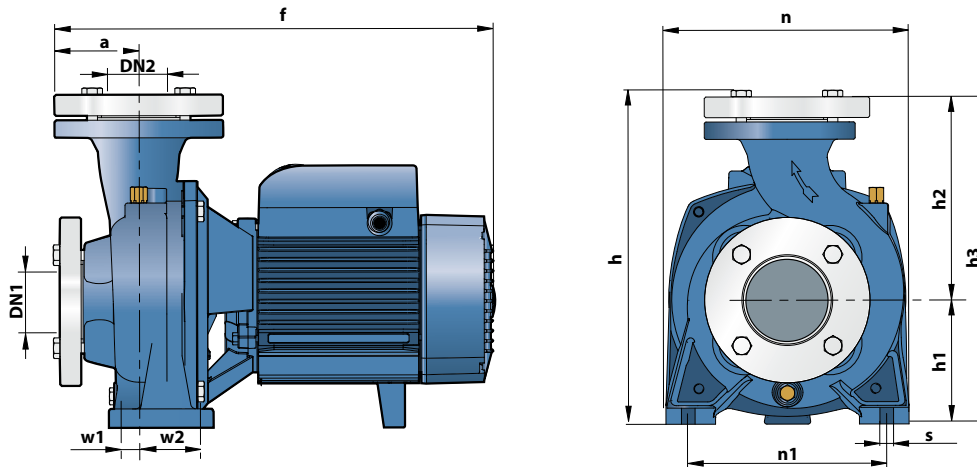


MODELLO TYPE		POTENZA POWER		Q	Q																
1 ~	3 ~	kW	HP		m³/h	0	6	9	12	15	18	21	24	30	36	42	48	54	60	66	72
				l/min	0	100	150	200	250	300	350	400	500	600	700	800	900	1000	1100	1200	
NFm 129A	NF 129A	1.5	2	H (m)	22.5	22	21.5	21	20	18.5	16.6	14.5	10								
NFm 130B	NF 130B	1.5	2		14.7	--	--	14.5	14.2	14	13.7	13.5	13.2	12	11	9.7	8.2	6.7	5		
—	NF 130A	2.2	3		18.5	--	--	18.1	18	17.8	17.5	17.2	16.8	16	15	13.8	12.2	10.5	8.3	6	

Q = Portata H = Prevalenza manometrica totale
 Q = Flow rate H = Total manometric head

Tolleranza delle curve di prestazione secondo EN ISO 9906 App. A.
 Tolerance of the performance curves according to EN ISO 9906 App. A.App. A.

DIMENSIONI E PESI / DIMENSIONS AND WEIGHTS



TIPO TYPE		BOCCHIE PORTS		DIMENSIONI mm DIMENSIONS mm											kg	
1~	3~	DN1	DN2	a	f	h	h1	h2	h3	n	n1	w1	w2	s	1~	3~
NFm 129A	NF 129A	2"	2"	56	398	276	110	159	269	206	160	1	62	11	25.0	23.7
NFm 130B	NF 130B	3"	3"	71	420	320	120	193	313	240	190	6	66	12	31.6	30.7
—	NF 130A														—	32.6

- Corpo pompa: ghisa
- Girante: ottone

- Pump body: cast iron
- Impeller: brass