

SIRIO ENTRY 230V



INVERTER FOR SINGLE PHASE ELECTRIC PUMP CONTROL

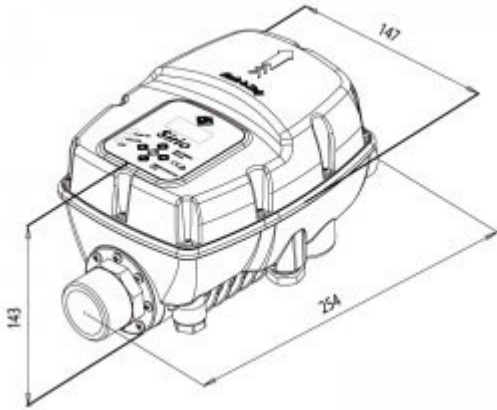
- Electronic device for the single phase electric pumps control based on **inverter technology**.
- It controls the starting and stopping of the electric pump and modulates the motor rotations according to the water request from the system.
- **Constant pressure** due to motor pump speed regulation.
- **Energy saving** due to less pump absorption.
- Gradual pump start and stop reduces hammering and avoids breakaway starting current.
- **Protection against dry running** in event of water shortage on the suction.
- **Automatic reset** in event of dry running, with autonomous error condition recovery.
- Efficient **leakage monitoring** to protect pump in event of repeated restarts.
- Digital pressure display.
- Motor **over current control**.
- Operation/error status signalling via LEDs and on-screen alerts.
- Operation in master/slave configuration into twin booster sets.
- Double set point with remote control option.
- Remote start and stop of electric pump.
- Extractable terminals to facilitate wiring.

APPLICATIONS:

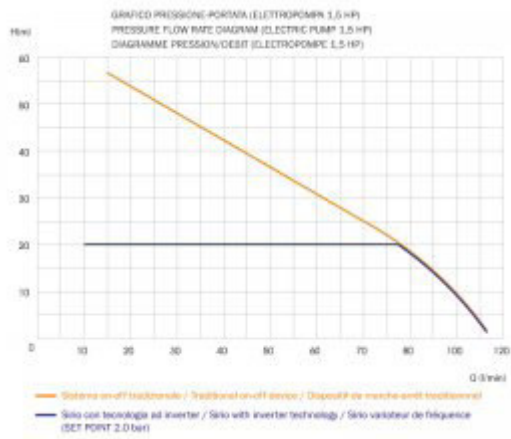
TECHNICAL DATA

Power mains supply:	single-phase 230Vac \pm 10% - 50/60Hz
Motor power output:	single-phase 220V~
Max motor power:	1500W ? 2Hp
Max line absorption:	12A @ 230V~
Max allowable pressure:	800 KPa (8 bar)
Max fluid temperature:	50°C
Pressure drop:	0,1 bar at 150 l/min
Set-point adjustment range:	1,5÷7 bar
Start pressure adjustment range:	1÷6,7 bar
Hydraulic connection:	male-male 1" ¼
Frequency modulation range:	25÷50 Hz
Protection degree:	IP X5

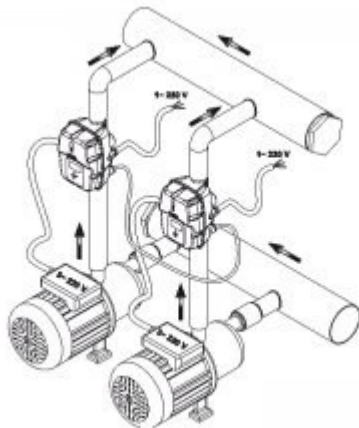
DRAWINGS



Dimensions



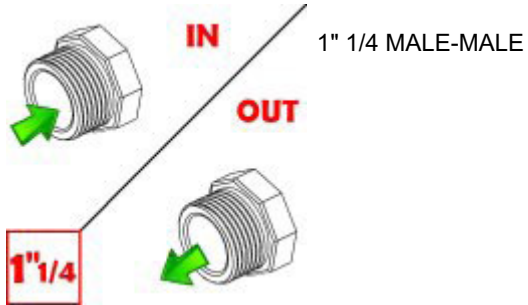
Pressure-Flow Rate Diagram



Twin booster set installation

ATTACH

1" 1/4 M-M



OPTIONAL

Frequency modulation range 30÷60 Hz

**30÷60
Hz**

Frequency modulation range 30+60 Hz

Cable for connection in twin booster sets



Cable for connection in twin booster sets 4x0.5mm² 100 cm
(SR-CBL4X05-100)



Any unauthorized reproduction or distribution of this document is forbidden. Italtecnica reserves the right to bring without notice any modification on technical data described in the present document. Italtecnica is not liable for any possible mistakes or omissions of the content.