

## EUS-Series 50Hz Submersible Dewatering Pump



50(80)EUS-5.10A

50EUS-5.05

### EUS 50Hz

#### Feature

- > High abrasive resistance resin Vortex impeller
- > Double mechanical seal / Designed Agitator
- > Auto reset thermal protector / Non air locking
- > Auto version for small pit usage

#### Application

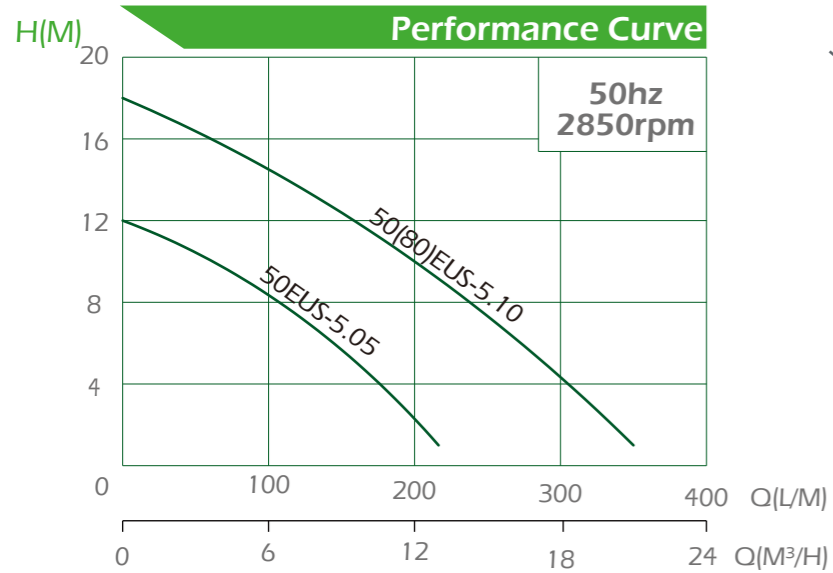
- > Residential, commercial, industrial dewatering and site drainage
- > Decorative waterfalls and fountains.
- > Raw water supply from lakes or rivers.
- > Sediment removal from small sumps of basins.

### Specifications

Type	Version	Output		Discharge		Rated		Maximum		Cable	Weight
		HP	W	mm	Inch	Head M	Capacity LPM	Head M	Capacity LPM	M	Kg
50EUS-5.05	Manual	0.5	400	50	2"	8	110	12	220	5	13
50EUS-5.05A	Auto	0.5	400	50	2"	8	110	12	220	5	13.3
50(80)EUS-5.10	Manual	1	750	50(80)	2"(3")	10	200	18	350	5	15.5
50(80)EUS-5.10A	Auto	1	750	50(80)	2"(3")	10	200	18	350	5	15.8

> A: Automatic

> Key or USA float switch are available to choose



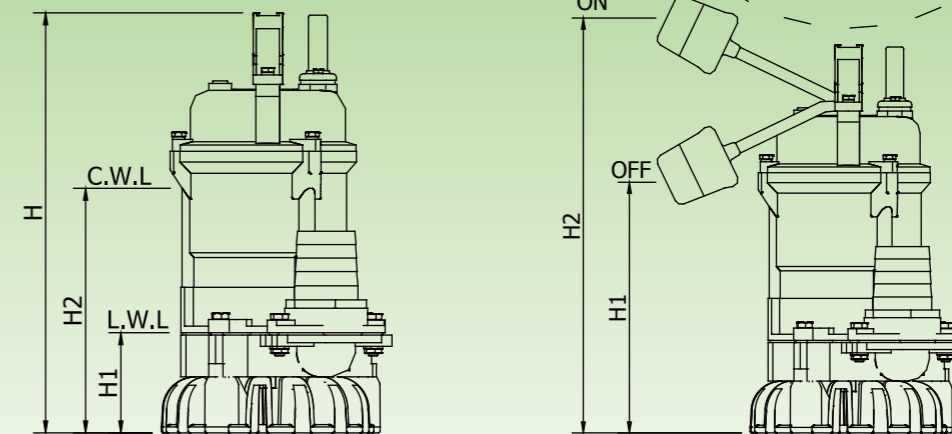
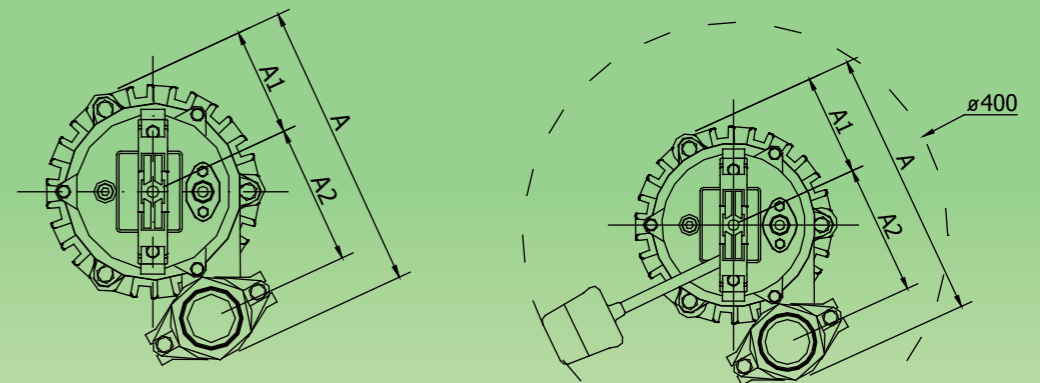
#### Agitator



#### Hytrell Impeller



### EUS-Series Dimensions

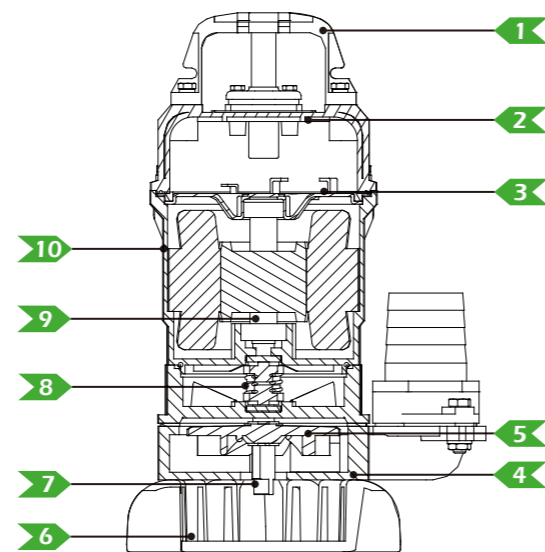


#### Dimensions (mm)

Type	A	A1	A2	H	H1	H2
50EUS-5.05	243	94	117	352	84	200
50EUS-5.05A	243	94	117	352	200	400
50(80)EUS-5.10	279	94	133	377	84	225
50(80)EUS-5.10A	279	94	133	377	225	425

#### Parts and Material List

No	Part	Mtrl
1	Handle	Nylon 6
2	Motor Cover	ADC 12
3	End Bracket	SECC
4	Pump Casing	FC-200
5	Impeller	Hytrell
6	Strainer	PVC
7	Agitator	SMF 5030
8	Mech. Seal	Upper: CA/CE Lower: SIC/SIC
9	Shaft	SUS 410
10	Motor Housing	ADC 12



All technical information is subject to change without notice.