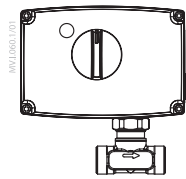
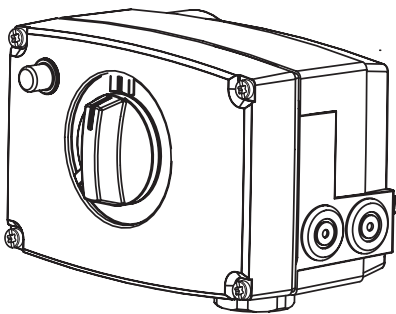
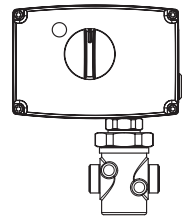


Operating Guide

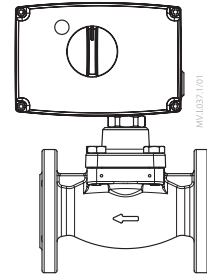
# AMV 20, AMV 30



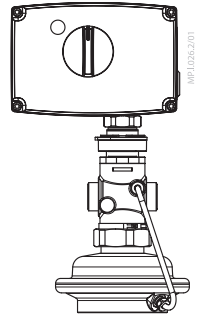
AMV 20, AMV 30 +  
VS2 (DN 20-25)



AMV 20, AMV 30 +  
VM2 (DN 15-50)



AMV 20, AMV 30 +  
VB2 (DN 15-50)



AMV 20, AMV 30 +  
AVQM (see Data sheet)

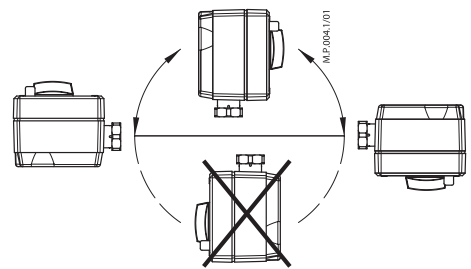


MAINTENANCE  
FREE

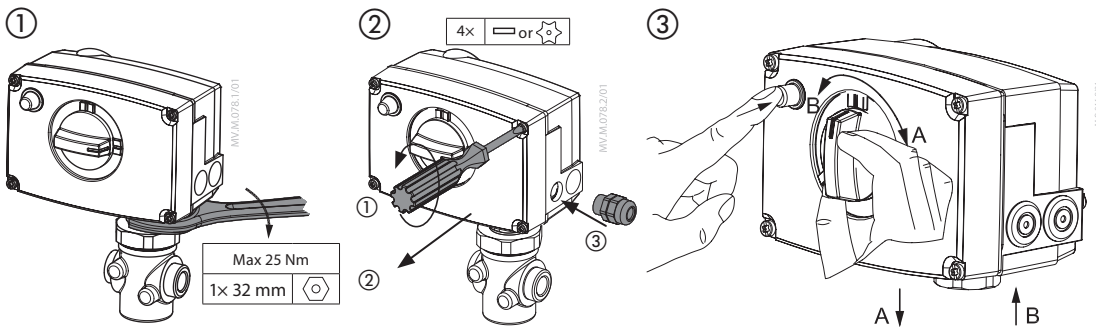
5-95 % RH  
no condensing

4 - 6 mm x 1 mm	32mm	T 10

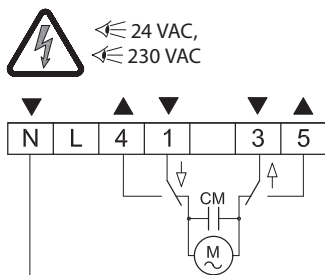
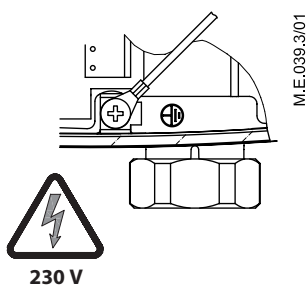
1



2



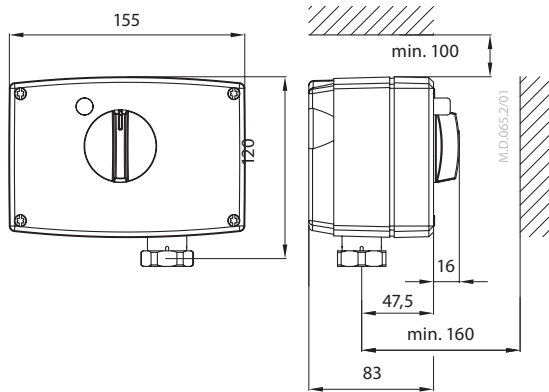
3



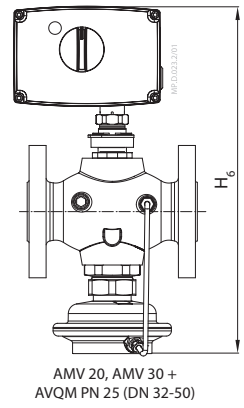
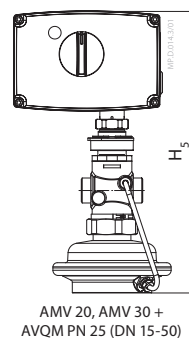
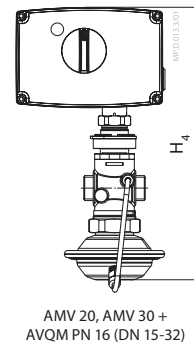
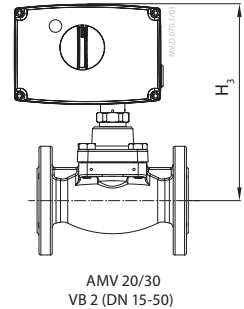
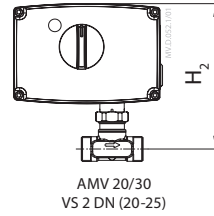
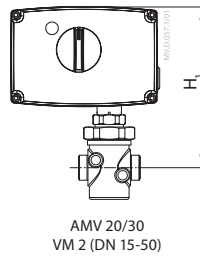
N	0 V	Neutral						
1	Input power supply	082G3008 24 V						
3		082G3012 24 V						
		082G3007 230 V						
		082G3011 230 V						
4, 5	<table border="1"> <tr> <td>1</td> <td>↔</td> <td>4</td> </tr> <tr> <td>3</td> <td>↔</td> <td>5</td> </tr> </table>	1	↔	4	3	↔	5	Output
1	↔	4						
3	↔	5						

AMV 20, AMV 30

4



DN	H <sub>1</sub>	H <sub>2</sub>	H <sub>3</sub>	H <sub>4</sub>	H <sub>5</sub>	H <sub>6</sub>
	mm					
15	176	155	205	288,8	300,3	-
20	176	162	205	288,8	300,3	-
25	176	168	205	291,8	303,3	-
32	176	-	229	292,8	375	390
40	194	-	229	-	375	390
50	194	-	229	-	375	390



部件名称 Part Name	有害物质含量表 Hazardous Substances Table					
	铅 (Pb)	汞 (Hg)	镉 (Cd)	六价铬 (Cr(VI))	多溴联苯 (PBB)	多溴二苯醚 (PBDE)
Housing/ 外壳	X	O	O	O	O	O
Nut/ 螺母	X	O	O	O	O	O
Bushings/ 轴套管	X	O	O	O	O	O

O: 表示该有害物质在该部件所有均质材料中的含量均在GB/T 26572规定的限量要求以下。  
O: Indicates that this hazardous substance contained in all of the homogeneous material for this part is below the limit requirement in GB/T 26572;  
X: 表示该有害物质至少在该部件的某一均质材料中的含量超出GB/T 26572规定的限量要求。  
X: Indicates that this hazardous substance contained in at least one of the homogeneous material for this part is above the limit requirement in GB/T 26572;

Danfoss can accept no responsibility for possible errors in catalogues, brochures and other printed material. Danfoss reserves the right to alter its products without notice. This also applies to products already on order provided that such alterations can be made without subsequent changes being necessary in specifications already agreed. All trademarks in this material are property of the respective companies. Danfoss and the Danfoss logotype are trademarks of Danfoss A/S. All rights reserved.