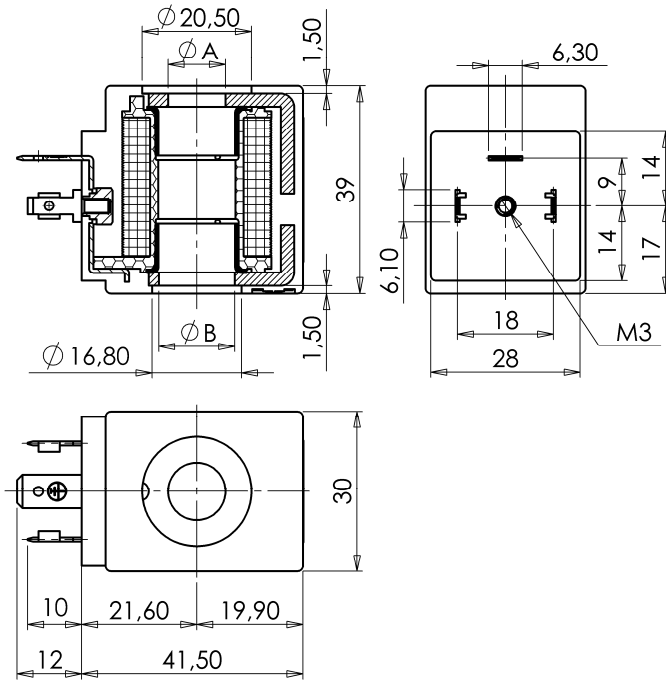




COIL

Spade terminals (DIN 46340)

ZA..



► GENERAL FEATURES

Complying with 73/23/EC (Low voltage), 2004/108/EC (EMC) directives and relative modification.
Complying with VDE 0580 standard (100% inspected).

► ELECTRIC CONNECTIONS

Spade terminals 6,3 x 0,8 (DIN46340), 2 line + 1 earth terminals.
3 poles plug connector (EN175301-803).

► ENCAPSULATION MATERIALS

PET (polyethylene terephthalate) fiberglass reinforced (black colour).

► TECHNICAL FEATURES

Continuous duty ED 100%
Insulation class ZA30AZA30E: F (155°C)
ZA34A-ZA34E: H (180°C)
Ambient temperature ZA30A – ZA30E: -10°C +50°C
ZA34A – ZA34E: -10°C +80°C
Protection degree IP 65 (EN 60529) with plug connector
Voltages DC 12-24V (+10% -5%)
AC 24V/50Hz – 110V/50Hz (120V/60Hz)
230V/50Hz (+10% -15%)
(Other voltages and frequencies on request).

TYPE	POWER ABSORPTION			HOLES		NOTES	WEIGHT (kg)
	AC (VA)		DC (W)	ØA	ØB		
	Inrush	Holding					
ZA30A	23	14	9	10,7	14,2	-	0,140
ZA30E	-	-	12				
ZA34A	23	14	9				
ZA34E	-	-	12				

► NOTES

1 - UL APPROVAL (N° E153691)

THE VALIDITY OF REPORTED DATA IS REFERRED TO THE DATE OF ISSUE. POSSIBLE UPDATING ARE AVAILABLE ON REQUEST.

1103/1310