

BOILERS OPTIONS



C330ECO_Q0009

2nd return nozzle: option prefitted on delivery, to be specified on order

for C 330-280 ECO and C 630-560 ECO - ref. S101776 (1)
 for C 330-350 ECO and C 630-700 ECO - ref. S101777 (1)
 for C 330-430 ECO and C 630-860 ECO - ref. S101778 (1)
 for C 330-500 ECO and C 630-1000 ECO - ref. S101779 (1)
 for C 330-570 ECO and C 630-1140 ECO - ref. S101780 (1)
 for C 330-650 ECO and C 630-1300 ECO - ref. S101781 (1)

These packages are used to differentiate the low and high temperature return circuits and thus to

exploit condensation to the full. They include a 2nd return pipe and a water distribution pipe.

(1) order two for C 630-... ECO



C310_Q0008

Tightness checker for the Honeywell gas train, for 5 to 9 elements - ref. S103305 (1)

Tightness checker for the Dungs gas train, for 10 elements - ref. S101724 (1)

It is adapted to the gas train and checks the tightness of the safety valves during the pre-sweep. If a leak is detected, the boiler goes into safety

shutdown and the fault will be signalled by the DIEMATIC iSystem control panel.

(1) order two for C 630-... ECO



C330_Q0014

Minimum gas pressure switch for the Honeywell gas train, for 5 to 9 elements - ref. S103306 (1)

Minimum gas pressure switch for the Dungs gas train, for 10 elements - ref. S101805 (1)

It is adapted to the gas train and in case of lack supply pressure it puts the boiler into safety

shutdown and the fault will be signalled by the DIEMATIC iSystem control panel.

(1) order two for C 630-... ECO



C230_Q0002

300 mbar pressure regulator

It is fitted to the gas inlet circuit. It is necessary if the gas mains supply is at 300 mbar.

Package	model	Max. natural gas flow rate in m ³ /h	Max. output power in kW	Ø of connection
SA12	GDJ 20	24	240	Rp 3/4"
AD245	GDJ 25	70	700	Rp 1"
AD246	GDJ 50	140	1400	Rp 2"

Flue gas sensor - ref. S103023



C330ECO_Q0006

Low water pressure switch - ref. S101784 (1)

(1) order two for C 630-... ECO



C210_Q0005

Air intake filter - Package GS20 (1)

It is fitted to the combustive air inlet and obviates a fall in output if the pre-mix gas burner is clogged owing to it being in a dusty atmosphere.

(1) order two for C 630-... ECO



C210_Q0016

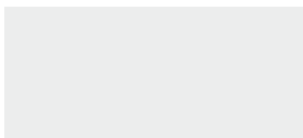
Clearing knife - Package GS21

It allows the exchanger to be cleaned, which is accessed via the inspection trap in the body.



C330ECO_Q0008

4 to 8 hole adaptor flange for a pump - ref. S101775



Counter flange flow/return - ref. 7606977

Counter flange 2nd return - ref. 7606978

Delivered with screws and gaskets.

BOILERS OPTIONS



Condensates neutralization system with lift pump:

- Package SA4: for C 330-280 (boilers up to 300 kW)
- Package DU15: for C 330-350 to 650 and C 630-560 to 1300)

Condensates neutralization system without lift pump:

- Package SA3: for C 330-280 to 430 (boilers up to 450 kW)
- ref. 762256: for C 330-500 to 650 and C 630-560 to 1300 (boilers up to 1300 kW) – delivered in 3 packages: 1x SA9 + 2x SA7

Neutralization granules for station - Package SA7 (25 kg)

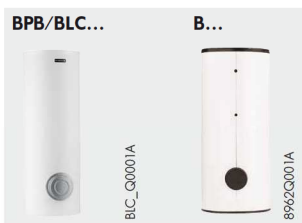
Neutralization granules for station - ref. 94225601 (10 kg – to order at the spare parts department)

The condensates neutralization systems - packages SA4 and SA3 - are delivered with 25 kg neutralization granules, the condensates neutralization system

ref. 762256 is delivered with 2 loads of 25 kg and the neutralization system – package DU15 - with a 10 kg load ; they all delivered with their

hydraulic and electrical connection accessories to fit easily on our boilers.

Principle: The acidic condensates flow through a container filled with granules before being sent into the waste water network. An annual check of the system and particularly the effectiveness of granules by measuring the pH is necessary; where applicable it is necessary to replace the granules.



DHW production

De Dietrich B... series independent DHW tanks with a capacity of 650 to 3000 litres can be used for domestic hot water production for individual and collective residences as well as for industrial and commercial premises. They are lined with food quality standard high quartz content vitrified

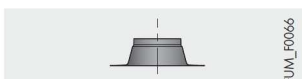
enamel and protected by a magnesium anode. The specifications and performances of these tanks are given in the product catalogue and the technical leaflets.

FLUE SYSTEM OPTIONS



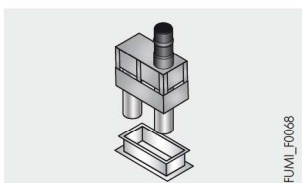
Vertical air/flue gas vent Ø 200/300 mm - ref. 51202

Vertical air/flue gas vent Ø 250/350 mm - ref. 51203



Flashing for flat roof Ø 300 mm - ref. 46157

Flashing for flat roof Ø 350 mm - ref. 46158



Vertical forced flue 2 x Ø 350 mm - ref. 54443



Connection adapter C 310 ECO to C 330 ECO - ref. S103178



Adapter, Ø 250 mm to Ø 200 mm - ref. S103179



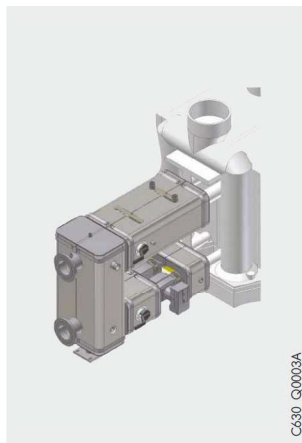
Flue connection kit for 2 x C 330 ECO - ref. S103118



Air input collector for C 630 ECO - ref. S103128

HYDRAULIC MODULES FOR C 630 ECO

HYDRAULIC MODULES FOR C 630 ECO



C630_QI0003A

Complete hydraulic set « DuoConnect » :

- for C 630-560 - ref. 7622302
- for C 630-700 - ref. 7622304
- for C 630-860 - ref. 7622306

The connection sets are composed by:

- 2 stainless steel compensators on flow connections
- 2 intermediate piping with flanges and free connection R1 1/2" for the safety valve
- 2 intermediate connections with flanges safety kit equipped with 2 Max. pressure switches, 1 Min pressure switch and 1 STB
- 4 valves on flow and return connections
- 1 decoupling low loss header with adjustable foot, 1/2" reservation for the system sensor,

- for C 630-1000 - ref. 7622307
- for C 630-1140 and 1300 - ref. 7622308

1/2" connection for air vent, R 1" connection for expansion vessel, R 1 1/2" rain away, R 2" connection for an additional generator, Rp 1 1/4" for magnetic bar (available optional)

- 2 kits of return connections
 - 2 modulating pumps managed by 0-10V of the boiler control panel (option: PCB SCU - S05)
 - Insulation in PEE shells covered with an aluminium sheet and fast bindings
- The delivery includes all screws and gaskets



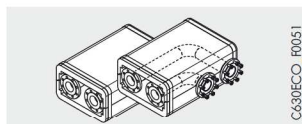
C630_QI0005

Complete safety kit for set « DuoConnect » - ref. 100016229

Equipped with:

- 2 max. pressure switches,
- 1 min. pressure switch,
- 1 additional safety thermostat.

To be ordered in duplicate for C630 ECO



C630ECO_F0051

Kit with insulated flow/return elbows DN 80 for hydraulic set - ref. 7613414

These elbows allow the connection of the «DuoConnect» sets on the left or on the right of the C630 ECO boiler.



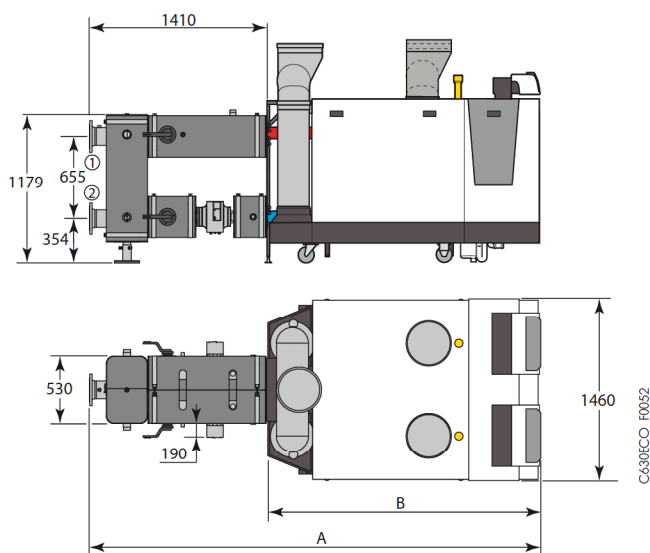
C630ECO_Q0003

Magnet filter cartridge- ref. 7613415

Cartridge to mounted into the disconnecting cylinder of the «DuoConnect» sets for sludge collect.

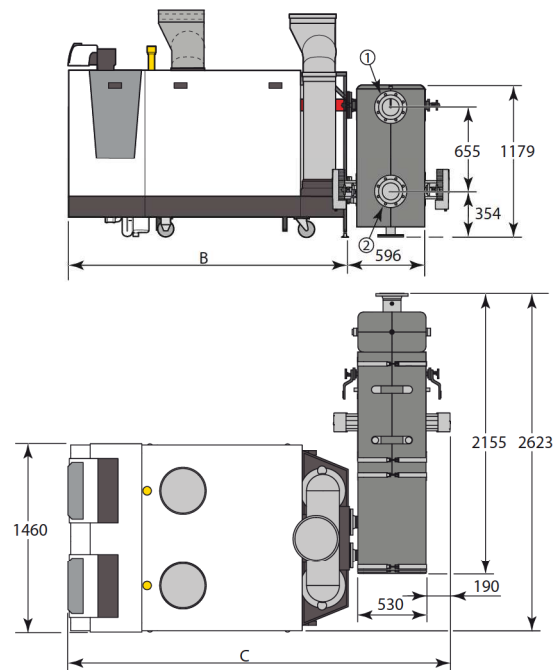
MAIN DIMENSIONS OF THE BOILERS + HYDRAULIC MODULES « DuoConnect »

Direct connection



C630ECO_F0052

Side connection with insulated flow/return elbows (ref. 7613414)



C630ECO_F0053

	A	B	C
C 630-560 to 860	3 272	1 862	2 648
C 630-1000 to 1300	2 582	2 172	2 958

① Heating flow Ø DN 25/PN 16

② Heating return Ø DN 25/PN 16