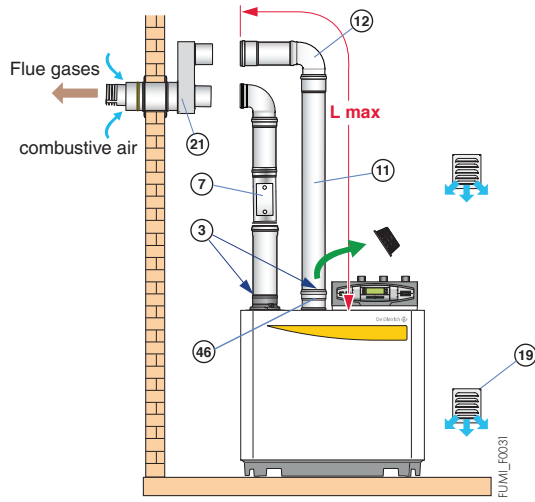


1 CONFIGURATION C₁₃ - CONCENTRIC HORIZONTAL FORCED FLUE (CONNECTION TO OUTSIDE WALL)

C 230 Eco

⚠ Configuration prohibited in buildings open to the public!



Boiler type	connect. Ø (mm)	Lmax (m)
		150 or 160
C230-85 Eco		50
C230-130 Eco		37
C230-170 Eco		16
C230-210 Eco		14

connect. Ø (mm)	Equivalent length (m)	
	150 (Alu)	160 (PPS)
87° elbow	6,4	5
45° elbow	1,7	1,4
Inspection elbow	-	5
Straight inspection pipe	0,5	0,9
Inspection T	6,4	-

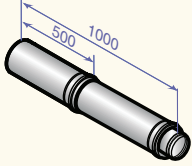
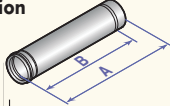
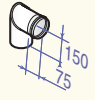
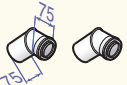
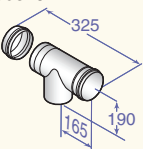
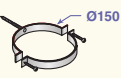
⇒ Alu/Galva or PPS/Galva flue systems accessories needed for connection to a horizontal forced flue:

Description	Diagrams with Dimensions/References	Boiler types	C 230 ECO										
		Connect. Ø (mm)	150 (Alu)	160 (PPS)									
		Package/Ref.											
Horizontal forced flue Alu/Galva Ø 150/220 mm		21 DY 831 100002469	X										
Horizontal forced flue PPS/Galva Ø 160/220 mm	<table border="1"> <thead> <tr> <th></th> <th>A</th> <th>B</th> </tr> </thead> <tbody> <tr> <td>DY 831</td> <td>220/150</td> <td>150</td> </tr> <tr> <td>DY 827</td> <td>220/160</td> <td>160</td> </tr> </tbody> </table>		A	B	DY 831	220/150	150	DY 827	220/160	160	DY 827 100002401		X
	A	B											
DY 831	220/150	150											
DY 827	220/160	160											
Air connection part		46 DY 830 100002404	X	X									
Adapter Ø 150 to 160 mm		3 DY 825 100002399		X									

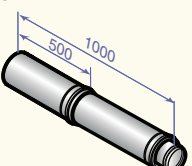
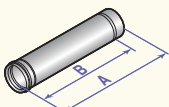
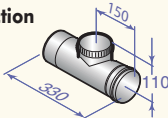
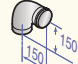
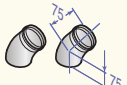
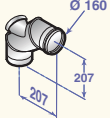
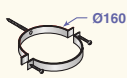
FUMI_F0031

⇒ Other flue systems accessories available:

- in Alu

<p>Concentric extension Alu/Galva for horizontal forced flue</p> 	<p>⑪</p> <table border="1"> <tr> <td>Ø 150/220 mm</td> <td>Ref.</td> </tr> <tr> <td>DY 864</td> <td>100004243</td> </tr> </table>	Ø 150/220 mm	Ref.	DY 864	100004243																				
Ø 150/220 mm	Ref.																								
DY 864	100004243																								
<p>Single extension</p>  <table border="1"> <thead> <tr> <th></th> <th>A</th> <th>B</th> </tr> </thead> <tbody> <tr> <td>DY 645</td> <td>500</td> <td>450</td> </tr> <tr> <td>DY 646</td> <td>1000</td> <td>950</td> </tr> <tr> <td>DY 647</td> <td>1950</td> <td>1900</td> </tr> </tbody> </table>		A	B	DY 645	500	450	DY 646	1000	950	DY 647	1950	1900	<p>⑥</p> <table border="1"> <tr> <td>Ø 150 mm</td> <td>L (mm)</td> <td>Ref.</td> </tr> <tr> <td>DY 645</td> <td>500</td> <td>84887645</td> </tr> <tr> <td>DY 646</td> <td>1000</td> <td>84887646</td> </tr> <tr> <td>DY 647</td> <td>1950</td> <td>84887647</td> </tr> </table>	Ø 150 mm	L (mm)	Ref.	DY 645	500	84887645	DY 646	1000	84887646	DY 647	1950	84887647
	A	B																							
DY 645	500	450																							
DY 646	1000	950																							
DY 647	1950	1900																							
Ø 150 mm	L (mm)	Ref.																							
DY 645	500	84887645																							
DY 646	1000	84887646																							
DY 647	1950	84887647																							
<p>Single elbow at 87°</p>  <p>at 45°</p> 	<p>④③</p> <table border="1"> <tr> <td>Ø 150 mm</td> <td>Angle</td> <td>Ref.</td> </tr> <tr> <td>DY 649</td> <td>87°</td> <td>84887649</td> </tr> <tr> <td>DY 650</td> <td>45° (2-pieces)</td> <td>84887650</td> </tr> </table>	Ø 150 mm	Angle	Ref.	DY 649	87°	84887649	DY 650	45° (2-pieces)	84887650															
Ø 150 mm	Angle	Ref.																							
DY 649	87°	84887649																							
DY 650	45° (2-pieces)	84887650																							
<p>Single inspection T</p> 	<p>④④</p> <table border="1"> <tr> <td>Ø 150 mm</td> <td>Ref.</td> </tr> <tr> <td>DY 832</td> <td>100002470</td> </tr> </table>	Ø 150 mm	Ref.	DY 832	100002470																				
Ø 150 mm	Ref.																								
DY 832	100002470																								
<p>Fastening clamp</p> 	<p>②⑨</p> <table border="1"> <tr> <td>Ø 150 mm</td> <td>Ref.</td> </tr> <tr> <td>DY 841</td> <td>100002692</td> </tr> </table>	Ø 150 mm	Ref.	DY 841	100002692																				
Ø 150 mm	Ref.																								
DY 841	100002692																								

- in PPS

<p>Concentric extension PPS/Galva for horizontal forced flue</p> 	<p>⑪</p> <table border="1"> <tr> <td>Ø 160/220 mm</td> <td>Ref.</td> </tr> <tr> <td>DY 857</td> <td>100004040</td> </tr> </table>	Ø 160/220 mm	Ref.	DY 857	100004040														
Ø 160/220 mm	Ref.																		
DY 857	100004040																		
<p>Single extension</p>  <table border="1"> <thead> <tr> <th></th> <th>A</th> <th>B</th> </tr> </thead> <tbody> <tr> <td>DY 822</td> <td>500</td> <td>450</td> </tr> <tr> <td>DY 821</td> <td>1000</td> <td>950</td> </tr> </tbody> </table>		A	B	DY 822	500	450	DY 821	1000	950	<p>⑥</p> <table border="1"> <tr> <td>Ø 160 mm</td> <td>L (mm)</td> <td>Ref.</td> </tr> <tr> <td>DY 822</td> <td>500</td> <td>100002396</td> </tr> <tr> <td>DY 821</td> <td>1000</td> <td>100002395</td> </tr> </table>	Ø 160 mm	L (mm)	Ref.	DY 822	500	100002396	DY 821	1000	100002395
	A	B																	
DY 822	500	450																	
DY 821	1000	950																	
Ø 160 mm	L (mm)	Ref.																	
DY 822	500	100002396																	
DY 821	1000	100002395																	
<p>Single inspection pipe</p> 	<p>④②</p> <table border="1"> <tr> <td>Ø 160 mm</td> <td>Ref.</td> </tr> <tr> <td>DY 833</td> <td>100002471</td> </tr> </table>	Ø 160 mm	Ref.	DY 833	100002471														
Ø 160 mm	Ref.																		
DY 833	100002471																		
<p>Single elbow at 87°</p>  <p>at 45°</p> 	<p>④③</p> <table border="1"> <tr> <td>Ø 160 mm</td> <td>Angle</td> <td>Ref.</td> </tr> <tr> <td>DY 823</td> <td>87°</td> <td>100002397</td> </tr> <tr> <td>DY 824</td> <td>45° (2-pieces)</td> <td>100002398</td> </tr> </table>	Ø 160 mm	Angle	Ref.	DY 823	87°	100002397	DY 824	45° (2-pieces)	100002398									
Ø 160 mm	Angle	Ref.																	
DY 823	87°	100002397																	
DY 824	45° (2-pieces)	100002398																	
<p>Single inspection elbow</p> 	<p>④⑤</p> <table border="1"> <tr> <td>Ø 160 mm</td> <td>Ref.</td> </tr> <tr> <td>DY 834</td> <td>100002472</td> </tr> </table>	Ø 160 mm	Ref.	DY 834	100002472														
Ø 160 mm	Ref.																		
DY 834	100002472																		
<p>Fastening clamp</p> 	<p>②⑨</p> <table border="1"> <tr> <td>Ø 160 mm</td> <td>Ref.</td> </tr> <tr> <td>DY 842</td> <td>100002693</td> </tr> </table>	Ø 160 mm	Ref.	DY 842	100002693														
Ø 160 mm	Ref.																		
DY 842	100002693																		

FUMI_F0032B