

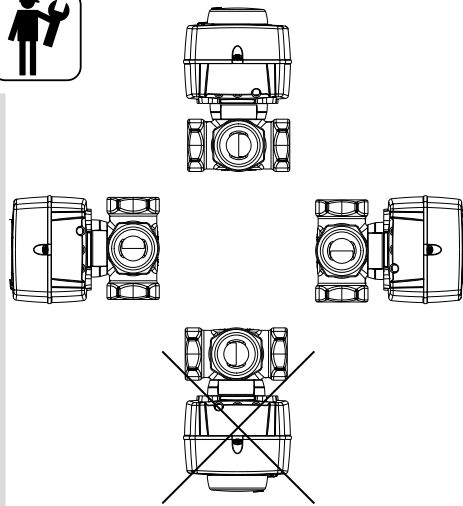
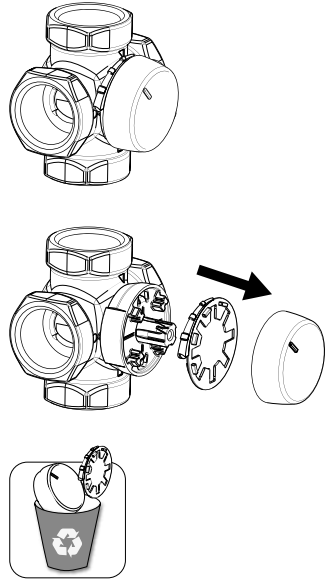
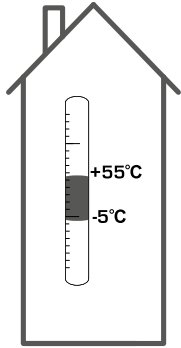
# ESBE SERIES ARA600 Prop



Series ARA639  
Series ARA659

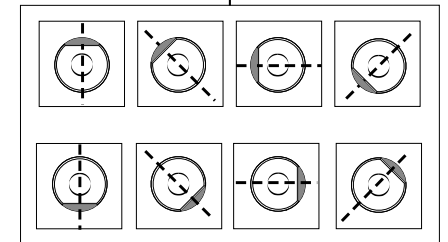
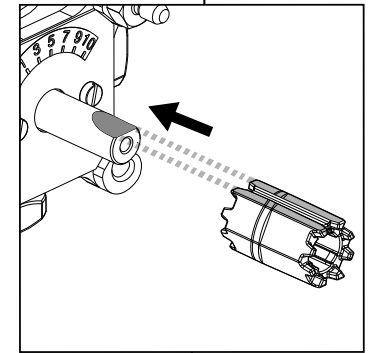
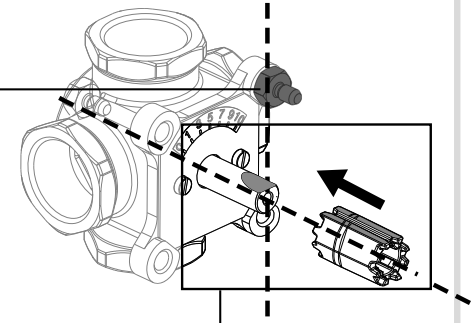
CE

LVD 2006/95/EC  
EMC 89/336/EEC  
RoHS 2002/95/EEC



## Series MG, G, F, H, HG, BIV, T, TM

	DN15-25	
	DN20-40	
	DN50	
	DN20-25	
	DN32-50	
	H: DN25	
	H: DN32-50	
	HG: DN25	
	DN20-22	
	DN25	
	T: DN20-32	
	TM: DN20	



VRG, VRB, VRH

3MG, 4MG



3G, 4G

3F, 4F ≤ DN50

3HG, 4HG, 3H, 4H



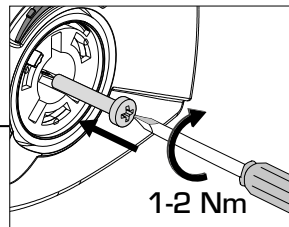
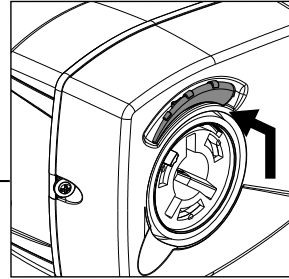
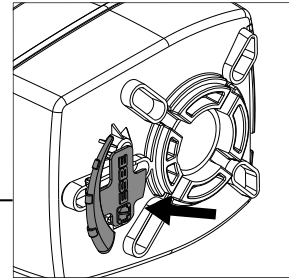
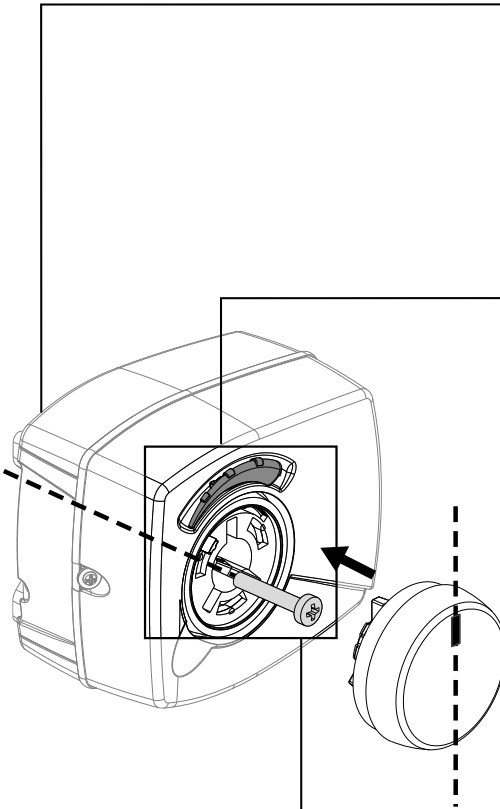
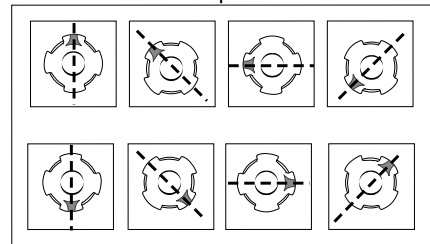
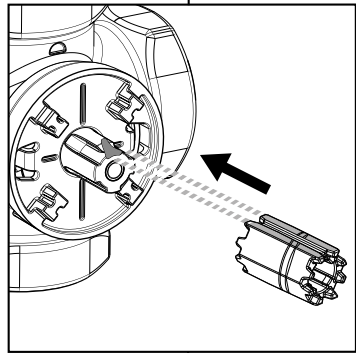
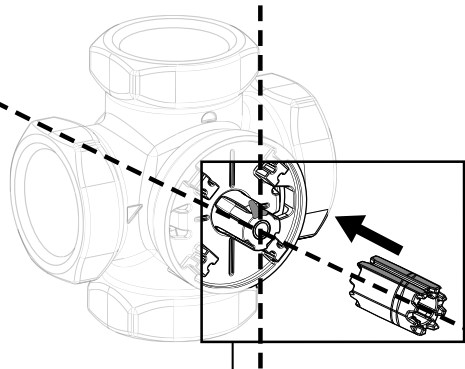
BIV

T, TM

VRC160

Series VRGxxx, VRBxxx, VRHxxx

Series VRCxxx



Mtr/nr: 9814 02 76 • Rit/nr: 8082 Vers. K • Rev. 1909

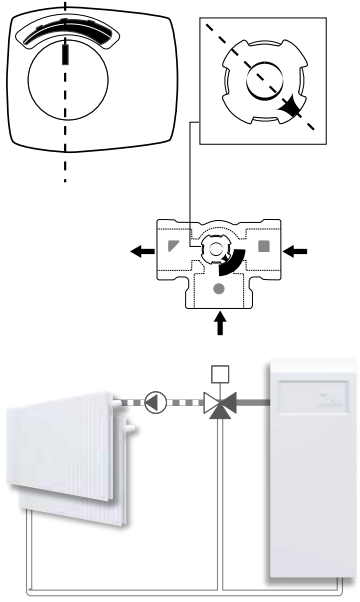


SERIES ARA600 Prop

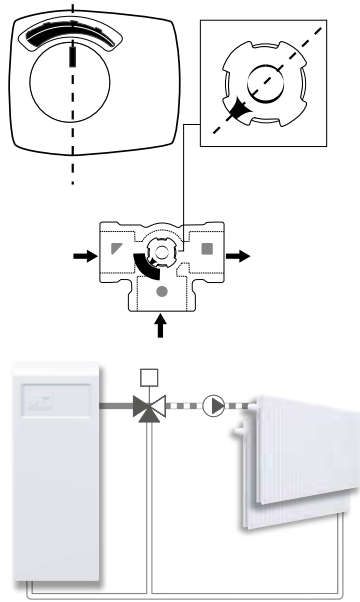


**SERIES VRG130**

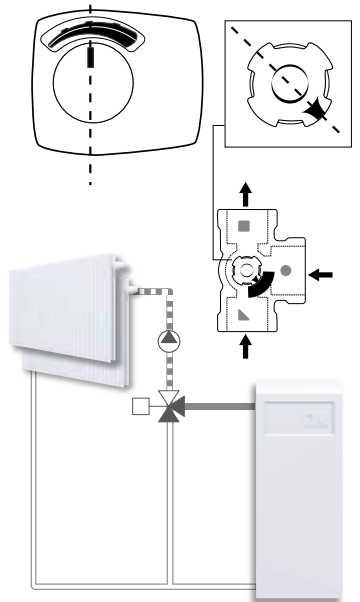
**a**



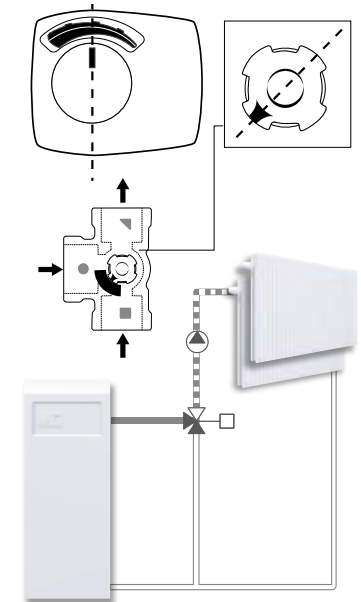
**b**



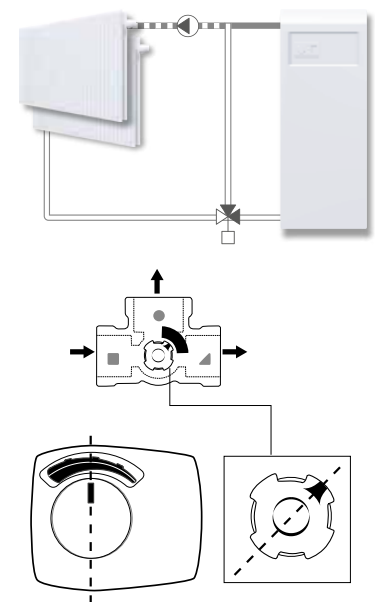
**c**



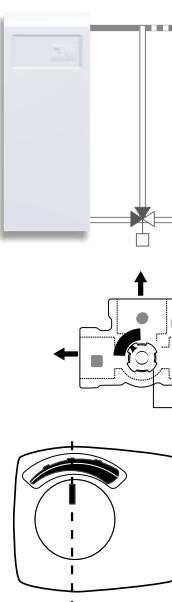
**d**



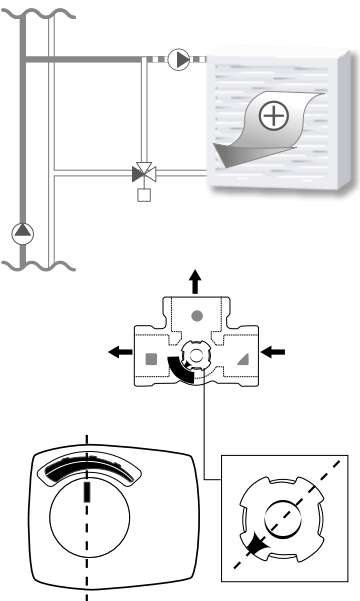
**e**



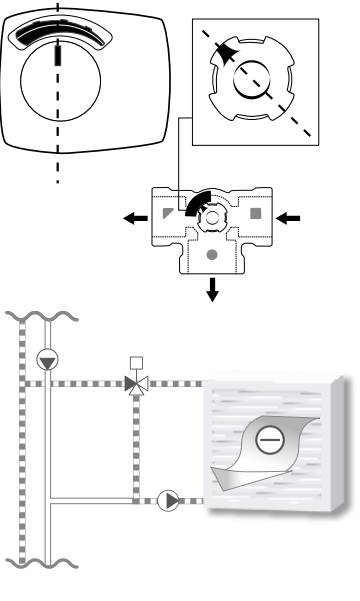
**f**



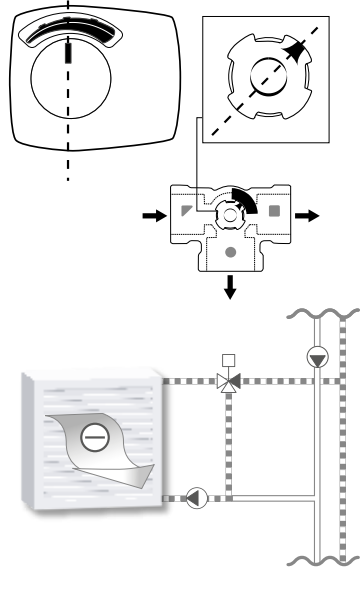
**l**



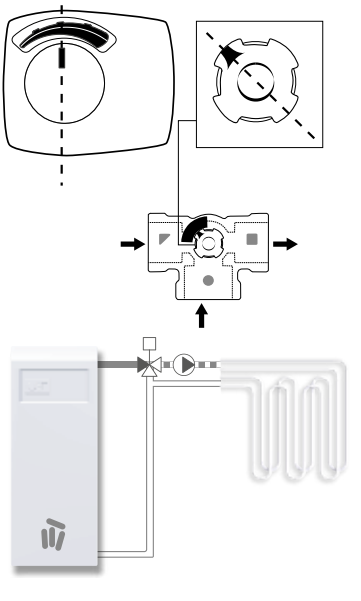
**m**



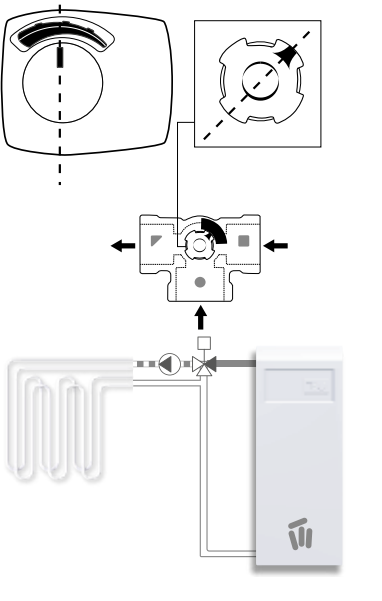
**n**



**o**

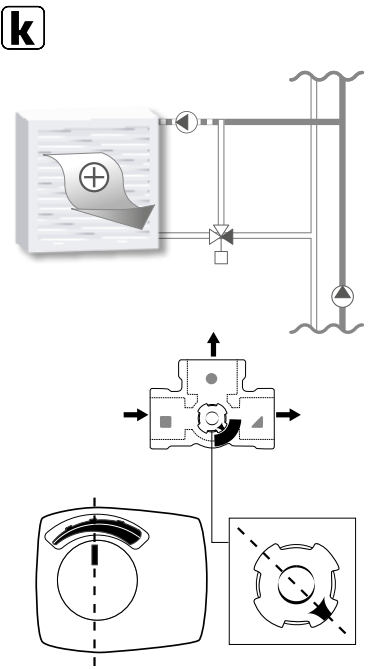
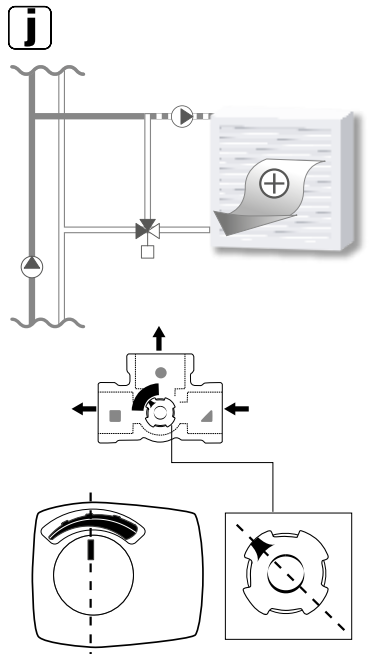
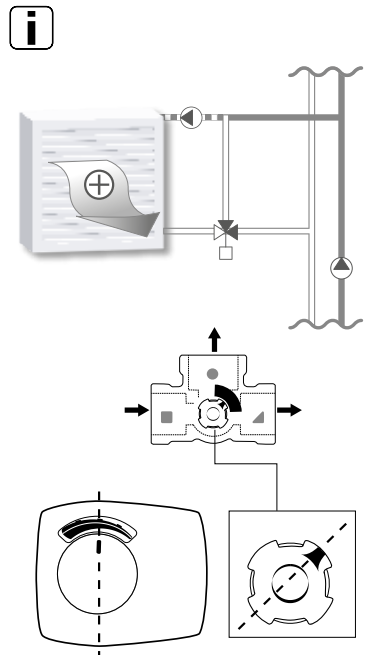
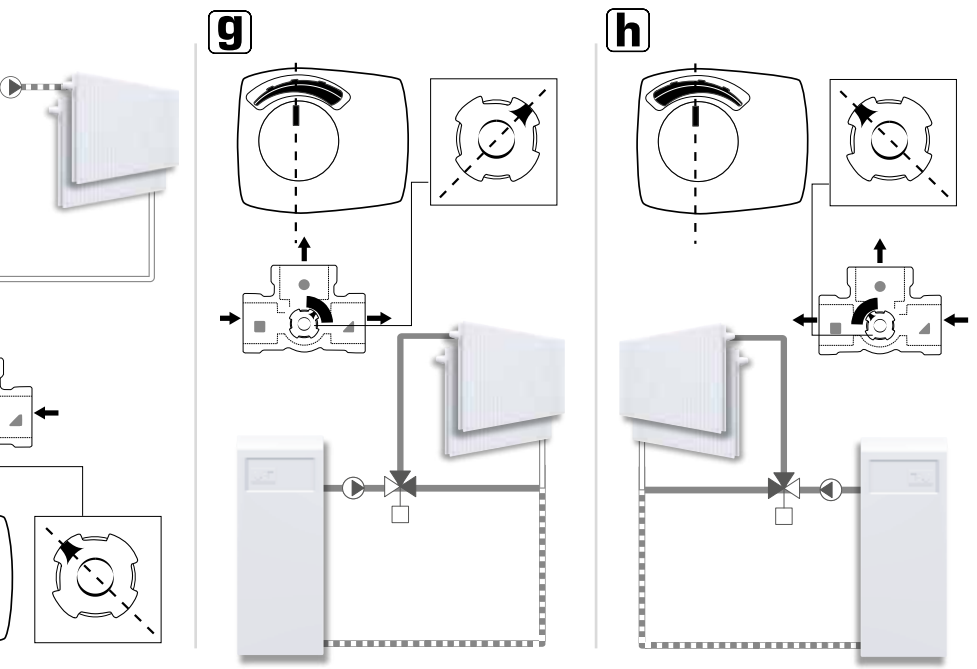


**p**



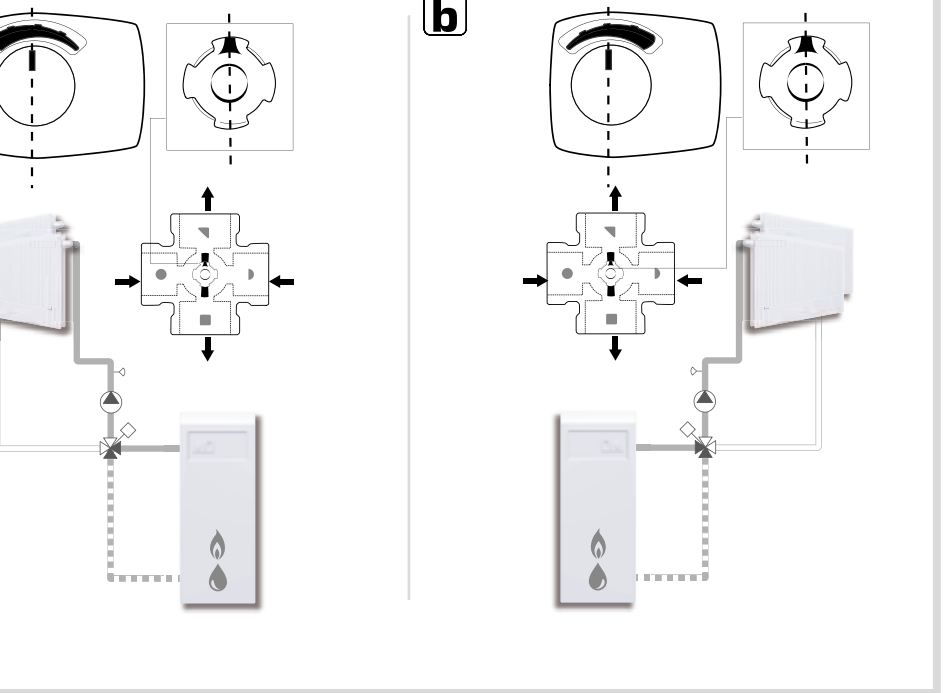
**a**



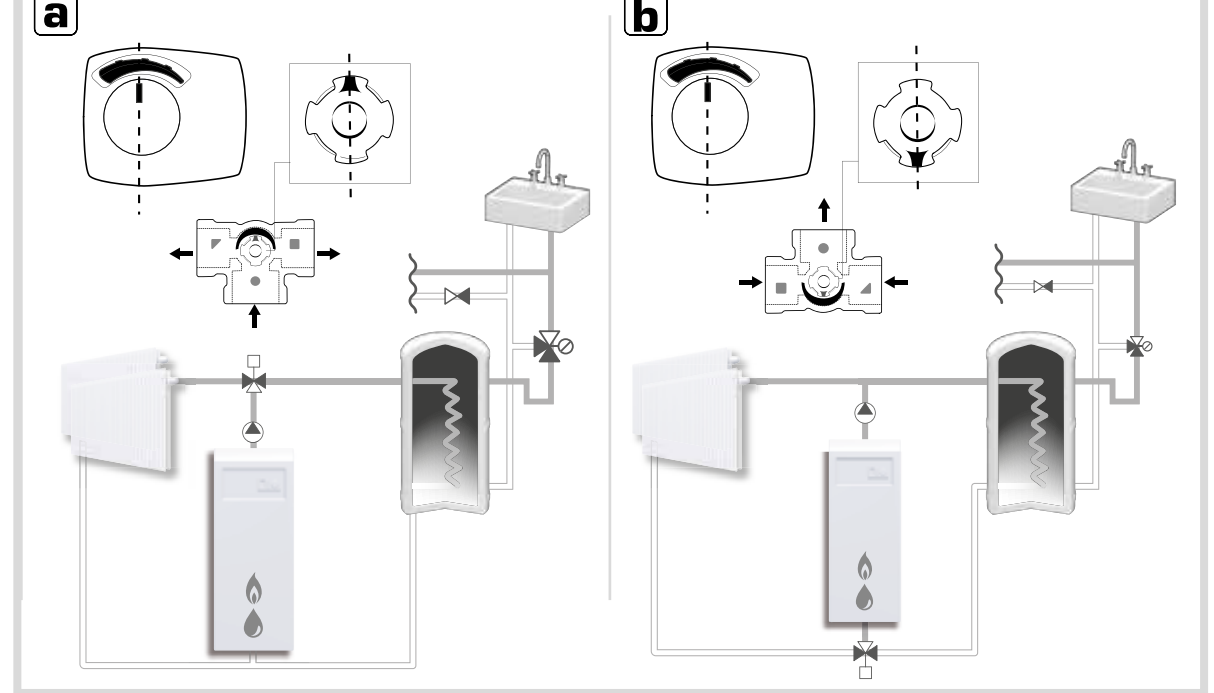


SERIES VRG130

**SERIES VRG140**

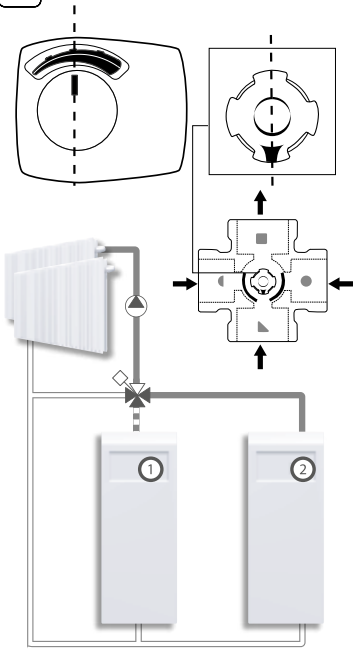


**SERIES VRG230**

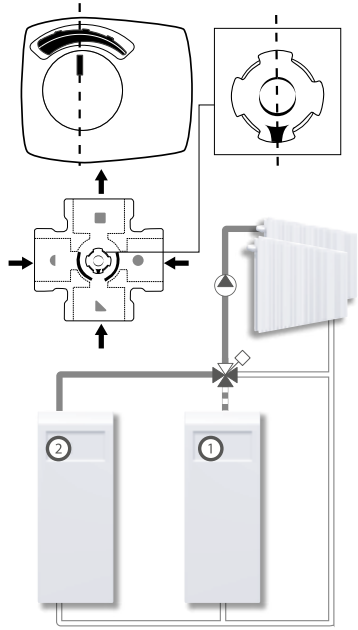


# SERIES VRB140

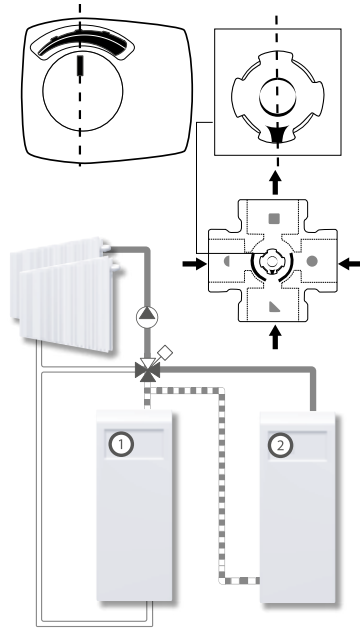
**a**



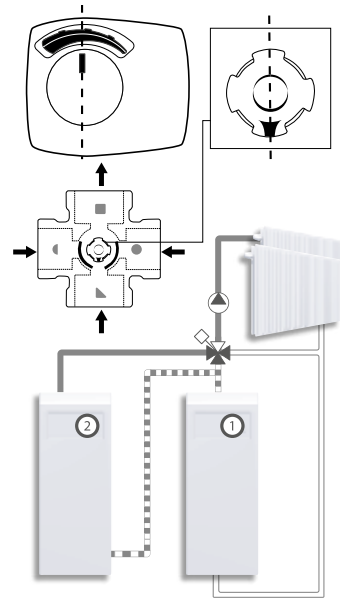
**b**



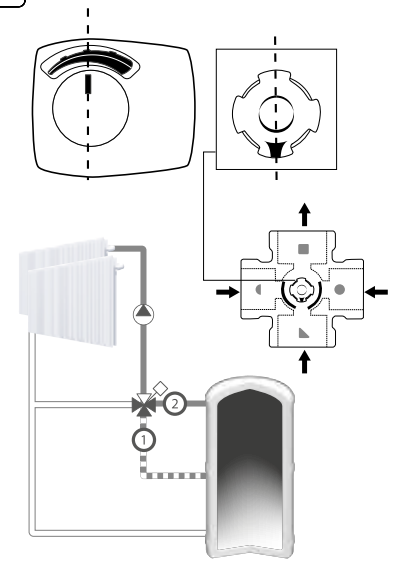
**c**



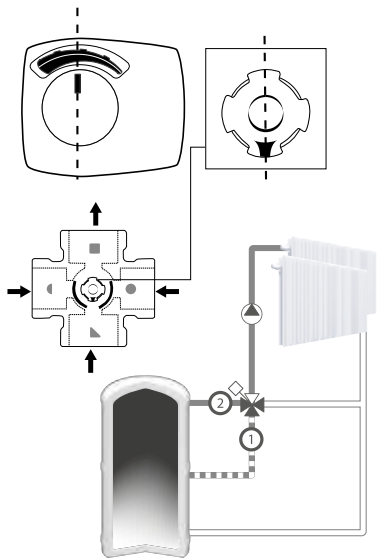
**d**



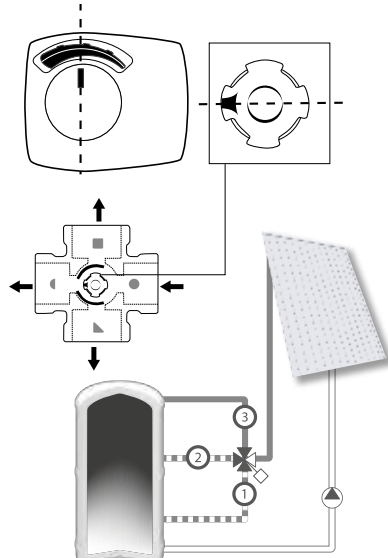
**e**



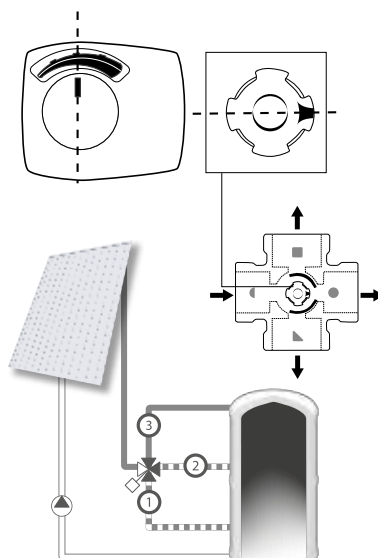
**f**



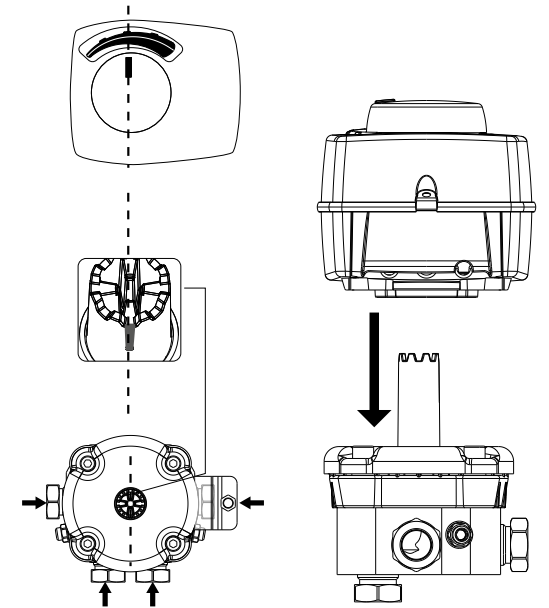
**g**



**h**

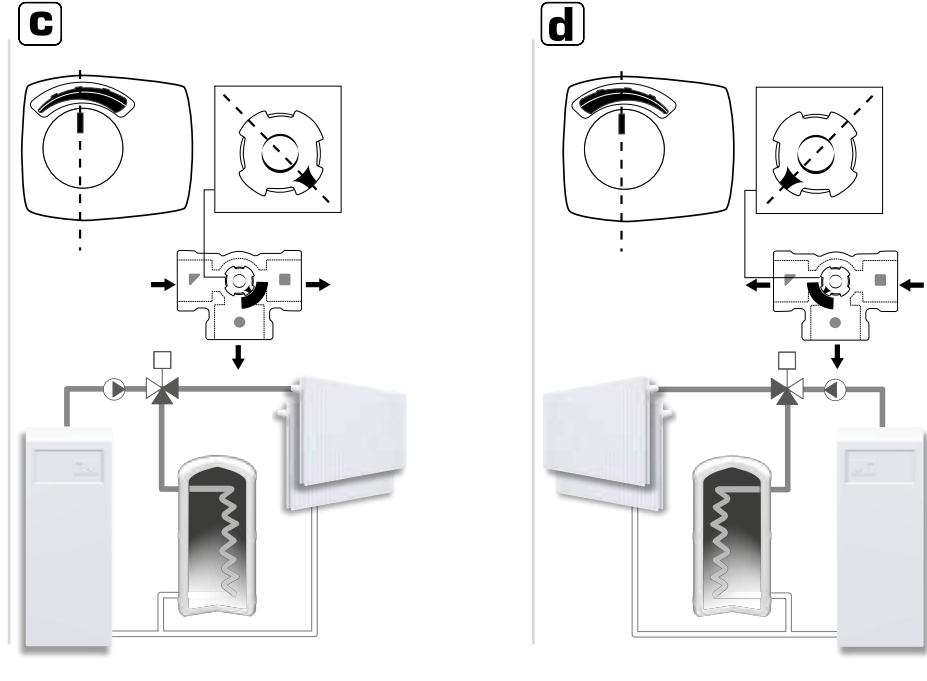
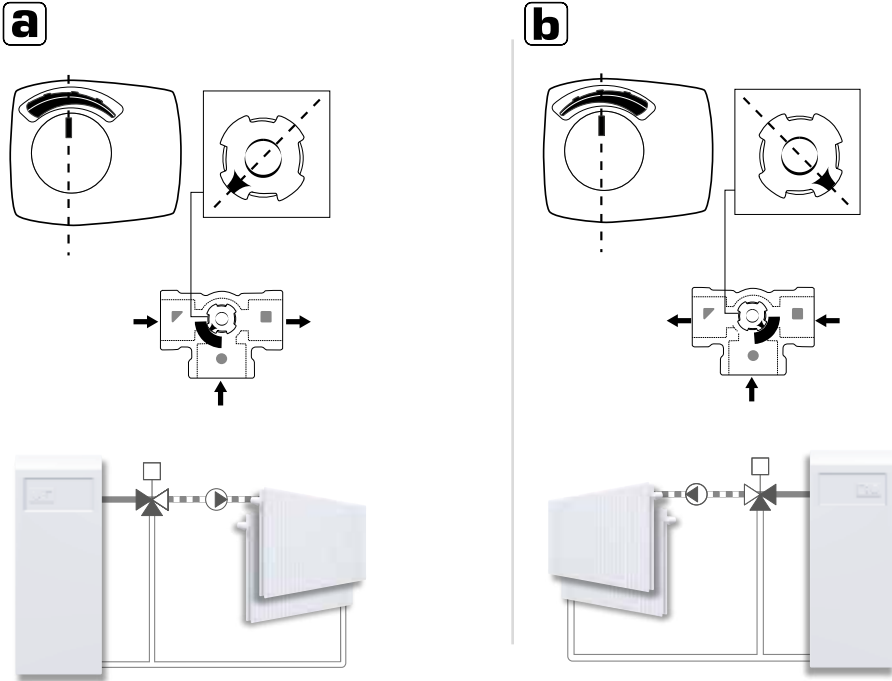


# SERIES VRC160



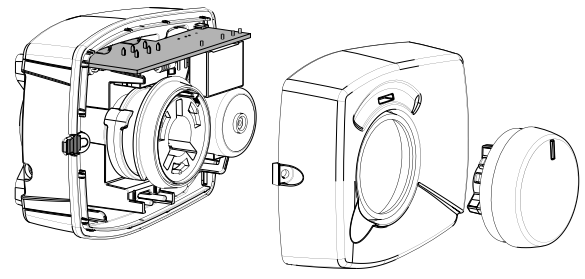
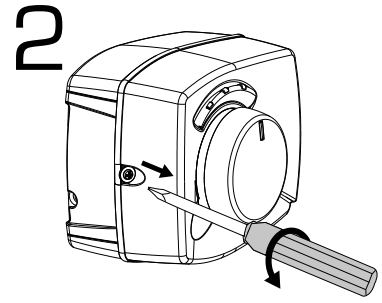
*Piping Schematics are General Representations*

# SERIES VRG330



\*We would like to pinpoint to the existence of a German patent DE 19821256C5 affecting the usage of bivalent 4-way valves in liquid circulation heating systems. In this patent the usage of a 4-way bivalent valve in a type of heating system is protected, in which 2 different heating circuits are operated in parallel, where the return of the first circuit is utilized as heat source for the second circuit. The patent also covers the use of a 4-way bivalent valve in a type of heating system, where the return of the second circuit is utilized as heat source for the first circuit. The patent also covers the use of a 4-way bivalent valve in a type of heating system, where the return of the primary heat circuit is utilized as alternative secondary heat source for the floor heating. Such a utilization of our bivalent 4-way valve without approval of the patent holder is forbidden. All other applications our product group VRG are without restrictions possible.\*

4





# Series ARA639

3/U

3/I

4/U

ON

1	120s	60s	30s	15s
2	ON	ON	ON	ON
3	ON	ON	ON	ON
4	ON	ON	ON	ON

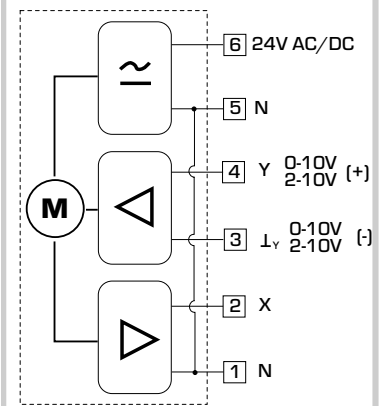
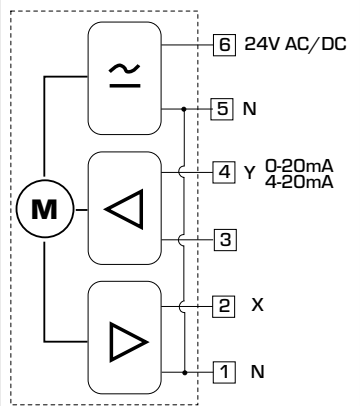
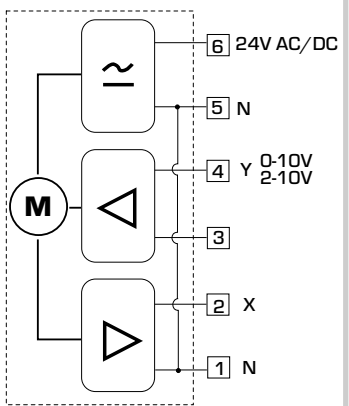
Y

0-10V	0-20mA	2-10V	4-20mA
ON	ON	ON	ON
3	3	3	3
4	4	4	4

ON

—	SEQ
CW	CCW
⚡	⚡

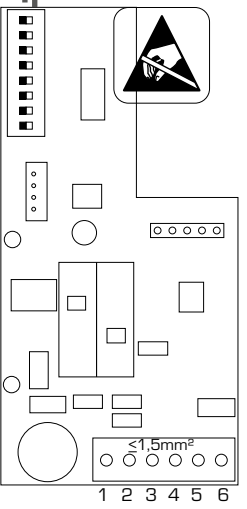
5 6 7 8



ON

1	120s	60s	30s
2	ON	ON	ON
3	OFF		
4	ON		
5	ON		
6	CW	CCW	
7	OFF		
8	OFF		

## SEQ Cntrl



ON

1	120s	60s	30s	15s
2	ON	ON	ON	ON
3	ON	ON	ON	ON
4	ON	ON	ON	ON

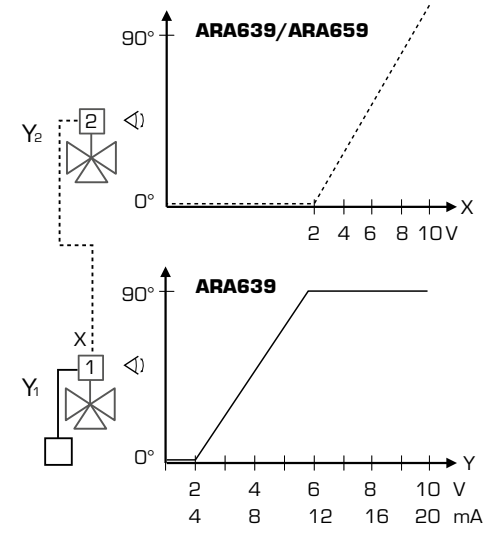
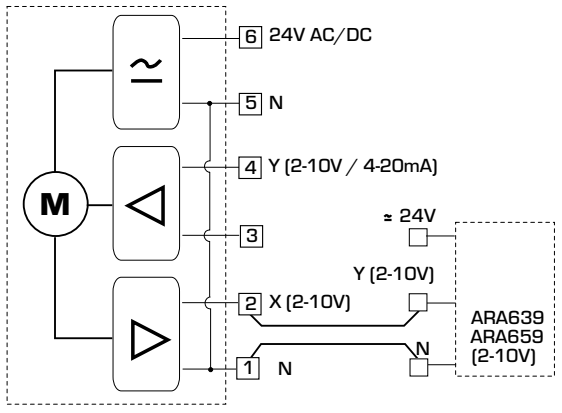
Y

2-10V	4-20mA
ON	ON
3	3
4	4

ON

—	SEQ
CW	CCW
⚡	⚡

5 6 7 8

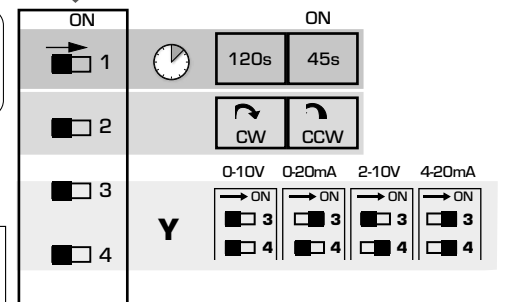
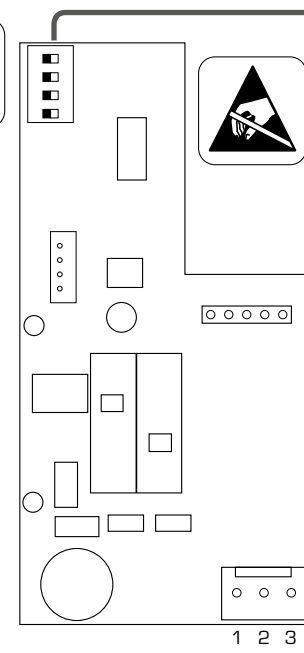
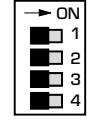
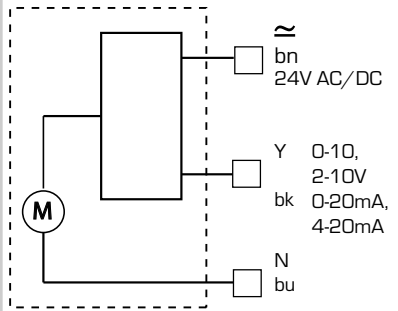
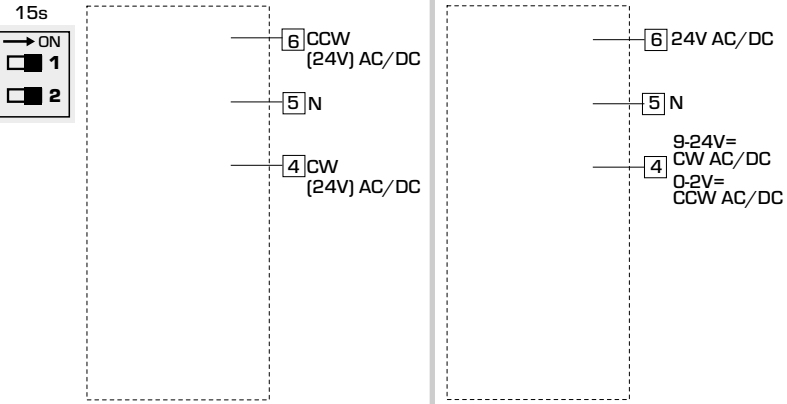


# Series ARA659



**3-point**

**2-point**



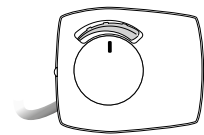
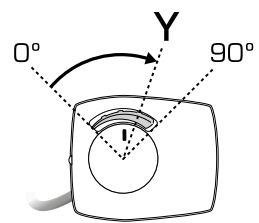
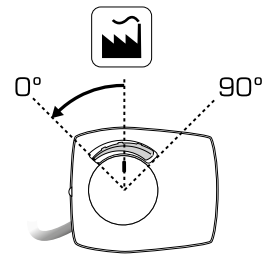
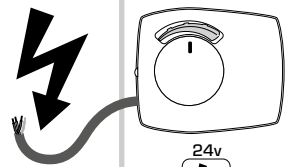
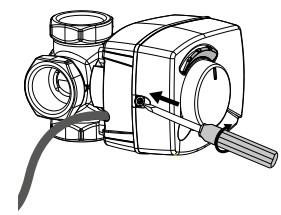
**5**



1

2

3



24v



2

1

