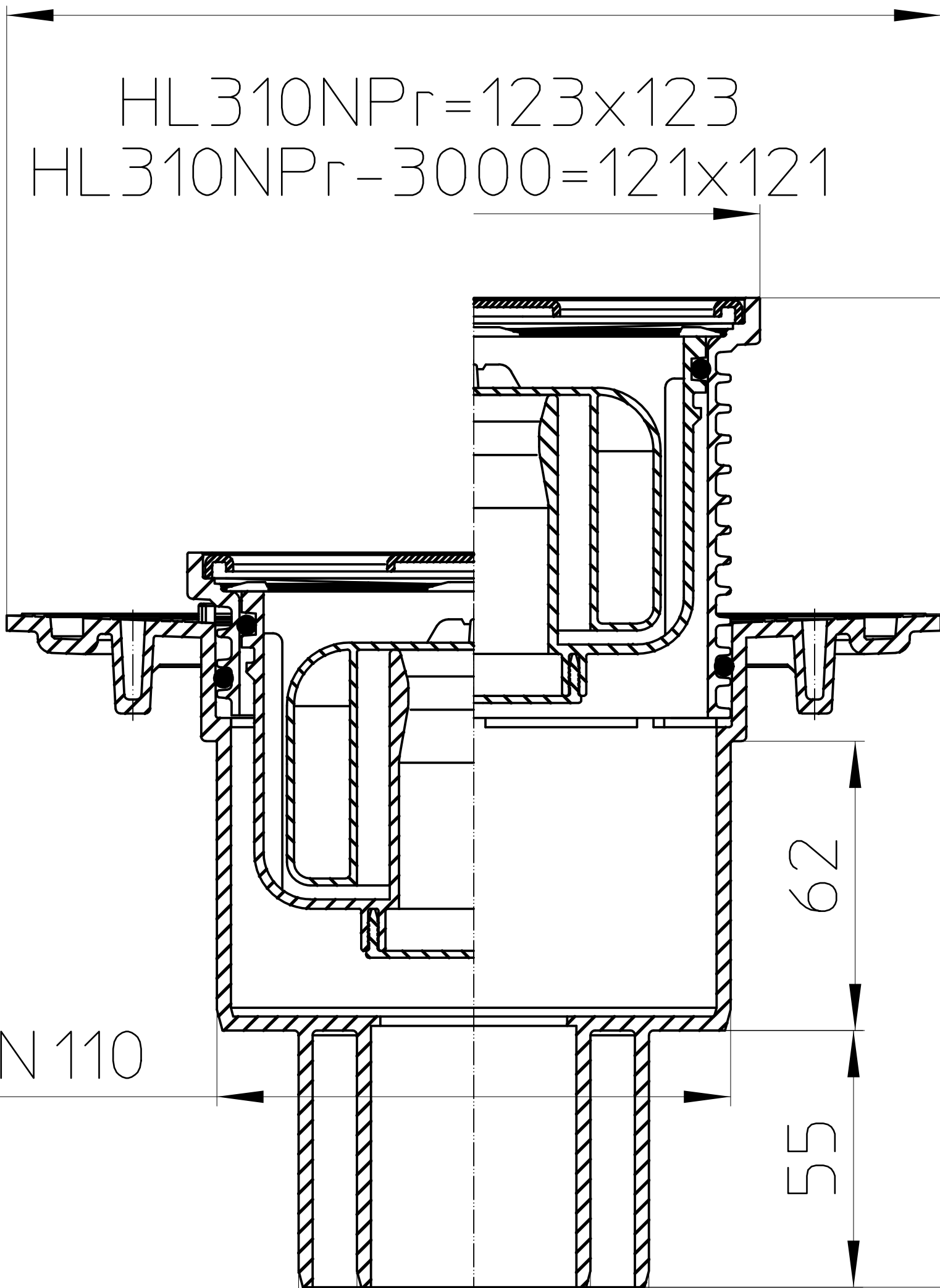


Ø 200

HL310NP_r=123x123

HL310NP_r-3000=121x121



DN 110

DN 50

DN 75

62

55

144

HL310NP_r=12-70

HL310NP_r-3000=10-80