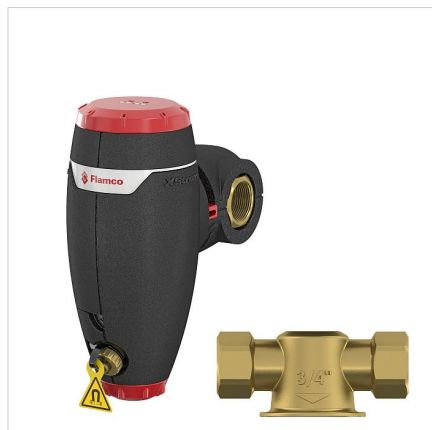
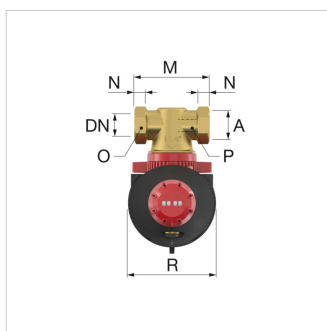
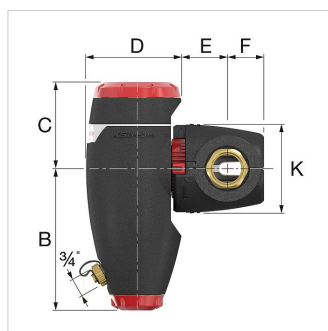


Produkta datu lapa (2020-10-02)

11031 - XStream Clean 3/4" F



Apraksts	XStream Clean 3/4" F	
Artikla Nr.	11031	
Modelis	Flamco XStream Clean	
Savienojums	[DN]	20
	(A)	G 3/4" F
K_v^* [m ³ /h] (ECO)	15,6	
K_v^* [m ³ /h] (MAX)	4,1	
Svars [kg]	1,2	



Iepakojuma info

Vienību skaits	180 Pieces
Iepakojuma izmēri (A. x P. x G.)	1324 x 800 x 1200 mm
Svars	249 Kilogram

Klasifikācijas vispārējie dati

Etim grupa	Filters/separators
Etim klase	Air-/dirt separator for central heating/cooling system
Produkta nosaukums	XStream Clean (DN20) G3/4\"F
Zīmols	Flamco
Produkta tips	G 3/4\"G 3/4"

Klasifikācijas parametri

Suitable for heating	Jā
Suitable for cooling	Jā
Construction length [mm]	100
Suitable for open system	Nē
With blow-off valve	Jā
Suitable for closed system	Jā
With dismountable filter	Nē
Filter mesh density [mm]	0
With automatic de-aerator	Nē
Max. medium temperature (continuous) [°C]	120
With integrated replenishment automat	Nē
Inlet/outlet offset distance [mm]	0

Tips	Izmēri										
	B [mm]	C [mm]	D [mm]	E [mm]	F [mm]	K [mm]	M [mm]	N [mm]	O [mm]	P [mm]	R [mm]
XStream Clean 22	149	98	106	44	41	102	119	24	32	24	114
XStream Clean $\frac{3}{4}$ F	149	98	106	44	41	102	100	14	32		114
XStream Clean 1 M	149	98	106	44	41	102	100	13		27	114
XStream Clean 1 F	181	110	121	53	45	114	110	16	41		130
XStream Clean 1 $\frac{1}{4}$ M	181	110	121	53	45	114	110	14		34	130
XStream Clean 1 $\frac{1}{4}$ F	181	110	125	57	48	114	110	18	50		130
XStream Clean 1 $\frac{1}{2}$ F	208	124	139	62	51	132	129	18	55		145
XStream Clean 2 F	208	124	139	65	58	132	140	23	70		145