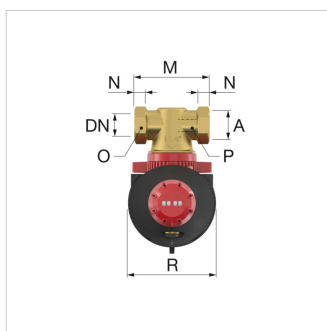
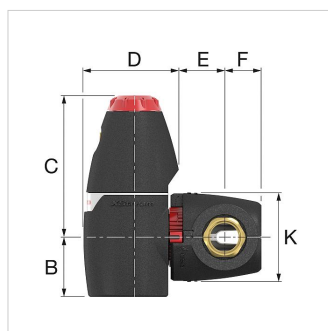


Produkta datu lapa (2020-10-02)
11003 - XStream Vent 1 1/4" F


Apraksts	XStream Vent 1 1/4" F	
Artikla Nr.	11003	
Modelis	Flamco XStream Vent	
Savienojums	[DN]	32
	(A)	G 1 1/4" F
K_v^* [m ³ /h] (ECO)	38,5	
K_v^* [m ³ /h] (MAX)	10,6	
Svars [kg]	1,5	


Iepakojuma info

Vienību skaits	135 Pieces
Iepakojuma izmēri (A. x P. x G.)	1350 x 800 x 1200 mm
Svars	231 Kilogram

Klasifikācijas vispārējie dati

Etim grupa	Filters/separators
Etim klase	Air-/dirt separator for central heating/cooling system
Produkta nosaukums	XStream Vent (DN32) G1 1/4" F
Zīmols	Flamco
Produkta tips	G 1 1/4" G 1 1/4"

Klasifikācijas parametri

Suitable for heating	Jā
Suitable for cooling	Jā
Construction length [mm]	110
Suitable for open system	Nē
With blow-off valve	Jā
Suitable for closed system	Jā
With dismountable filter	Nē
Filter mesh density [mm]	0
With automatic de-aerator	Jā
Max. medium temperature (continuous) [°C]	120
With integrated replenishment automat	Nē
Inlet/outlet offset distance [mm]	0



Tips	Izmēri										
	B [mm]	C [mm]	D [mm]	E [mm]	F [mm]	K [mm]	M [mm]	N [mm]	O [mm]	P [mm]	R [mm]
XStream Vent 22	59	149	106	44	41	102	119	24	32	24	114
XStream Vent $\frac{3}{4}$ F	59	149	106	44	41	102	100	14	32		114
XStream Vent 1 M	59	149	106	44	41	102	100	13		27	114
XStream Vent 1 F	76	181	121	53	45	114	110	16	41		130
XStream Vent 1 $\frac{1}{4}$ M	76	181	121	53	45	114	110	14		34	130
XStream Vent 1 $\frac{1}{4}$ F	76	181	125	57	48	114	110	18	50		130
XStream Vent 1 $\frac{1}{2}$ F	86	208	139	62	51	132	129	18	55		145
XStream Vent 2 F	86	208	139	65	58	132	140	23	70		145