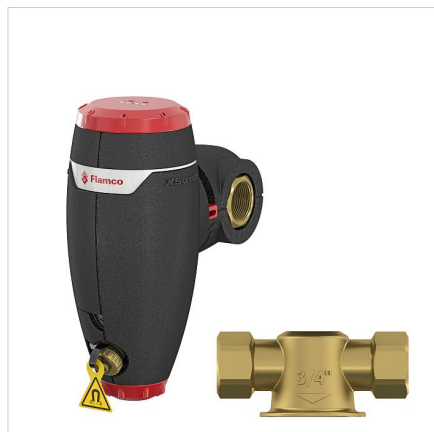
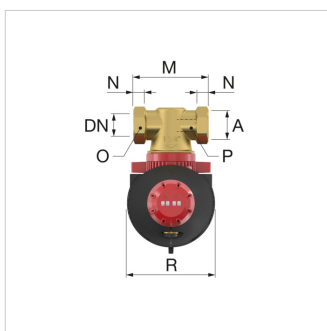
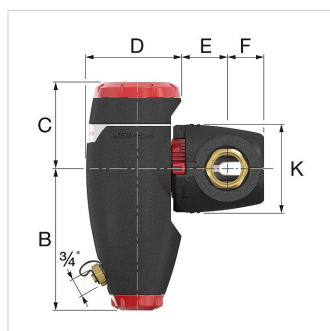


**Produkta datu lapa (2020-10-02)**
**11033 - XStream Clean 1 1/4" F**


Apraksts	XStream Clean 1 1/4" F	
Artikla Nr.	11033	
Modelis	Flamco XStream Clean	
Savienojums	[DN]	32
	(A)	G 1 1/4" F
$K_v^*$ [m <sup>3</sup> /h] (ECO)	38,5	
$K_v^*$ [m <sup>3</sup> /h] (MAX)	10,6	
Svars [kg]	1,9	


**Iepakojuma info**

Vienību skaits	117 Pieces
Iepakojuma izmēri (A. x P. x G.)	1350 x 800 x 1200 mm
Svars	249 Kilogram

**Klasifikācijas vispārējie dati**

Etim grupa	Filters/separators
Etim klase	Air-/dirt separator for central heating/cooling system
Produkta nosaukums	XStream Clean (DN32) G1 1/4" F
Zīmols	Flamco
Produkta tips	G 1 1/4" G 1 1/4"

**Klasifikācijas parametri**

Suitable for heating	Jā
Suitable for cooling	Jā
Construction length [mm]	110
Suitable for open system	Nē
With blow-off valve	Jā
Suitable for closed system	Jā
With dismountable filter	Nē
Filter mesh density [mm]	0
With automatic de-aerator	Nē
Max. medium temperature (continuous) [°C]	120
With integrated replenishment automat	Nē
Inlet/outlet offset distance [mm]	0



Tips	Izmēri										
	B [mm]	C [mm]	D [mm]	E [mm]	F [mm]	K [mm]	M [mm]	N [mm]	O [mm]	P [mm]	R [mm]
XStream Clean 22	149	98	106	44	41	102	119	24	32	24	114
XStream Clean $\frac{3}{4}$ F	149	98	106	44	41	102	100	14	32		114
XStream Clean 1 M	149	98	106	44	41	102	100	13		27	114
XStream Clean 1 F	181	110	121	53	45	114	110	16	41		130
XStream Clean 1 $\frac{1}{4}$ M	181	110	121	53	45	114	110	14		34	130
XStream Clean 1 $\frac{1}{4}$ F	181	110	125	57	48	114	110	18	50		130
XStream Clean 1 $\frac{1}{2}$ F	208	124	139	62	51	132	129	18	55		145
XStream Clean 2 F	208	124	139	65	58	132	140	23	70		145