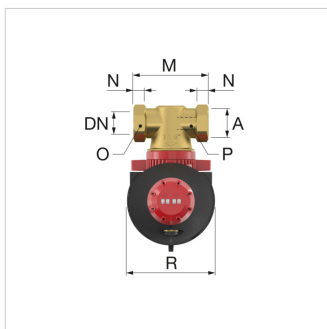
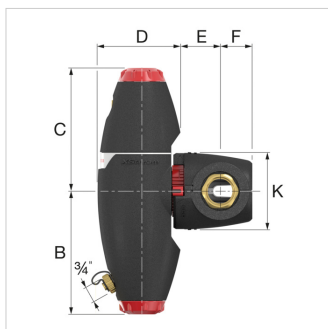


Produkta datu lapa (2020-11-24)

11061 - XStream Vent-Clean 3/4"



Apraksts	XStream Vent-Clean 3/4"	
Artikla Nr.	11061	
Modelis	Flamco XStream Vent-Clean	
Savienojums	[DN]	20
	(A)	G 3/4" F
K_v^* [m ³ /h] (ECO)	15,6	
K_v^* [m ³ /h] (MAX)	4,1	
Svars [kg]	1,5	



Iepakojuma info

Vienību skaits	1 Piece
Produkta veids	kaste
Iepakojuma izmēri (A. x P. x G.)	299 x 120 x 197 mm
Svars	1.6 Kilogram

Klasifikācijas vispārējie dati

Etim grupa	Filters/separators
Etim klase	Air-/dirt separator for central heating/cooling system
Produkta nosaukums	XStream Vent-Clean (DN20) G3/4" F
Zīmols	Flamco
Produkta tips	Rp 3/4"Rp 3/4"

Klasifikācijas parametri

Suitable for heating	Jā
Suitable for cooling	Jā
Construction length [mm]	100
Suitable for open system	Nē
With blow-off valve	Jā
Suitable for closed system	Jā
With dismountable filter	Nē
Filter mesh density [mm]	0
Max. medium temperature (continuous) [°C]	120
With integrated replenishment automat	Nē
Inlet/outlet offset distance [mm]	0



Tips	Izmēri										
	B [mm]	C [mm]	D [mm]	E [mm]	F [mm]	K [mm]	M [mm]	N [mm]	O [mm]	P [mm]	R [mm]
XStream Vent-Clean 22	149	149	106	44	41	102	119	24	32	24	114
XStream Vent-Clean $\frac{3}{4}$ F	149	149	106	44	41	102	100	14	32		114
XStream Vent-Clean 1 M	149	149	106	44	41	102	100	13		27	114
XStream Vent-Clean 1 F	181	181	121	53	45	114	110	16	41		130
XStream Vent-Clean $1\frac{1}{4}$ M	181	181	121	53	45	114	110	14		34	130
XStream Vent-Clean $1\frac{1}{4}$ F	181	181	125	57	48	114	110	18	50		130
XStream Vent-Clean $1\frac{1}{2}$ F	208	208	139	62	51	132	129	18	55		145
XStream Vent-Clean 2 F	208	208	139	65	58	132	140	23	70		145