

Steatite

STEATITE TECHNOLOGY WATER HEATER
WITH VERY ACCURATE CONTROLS



+ PRODUCT

COMFORT

- Frontal control knob for most accurate temperature control
- Flat chromed thermometer*

QUALITY - DURABILITY

- Steatite technology: Ceramic dry heating element adapted to aggressive, hard or desalinated water
- Magnesium anode for strengthened tank protection
- New generation diamond-quality enamel (glass-lined inner tank)
- Pressure relief valve
- Dielectric union
- Specific lip gasket to avoid corrosion around flange

USER-FRIENDLINESS

- IP 24 - full compliance with European standards for electrical safety and user protection
- Plug**
- Heating light indicator

SAVINGS

- Accurate controls ensured by highly sensitive thermostat
- High-efficiency water inlet
- CFC-free high-density insulation for more energy savings

ELECTRIC WATER HEATER

50 TO 200 L
(VERTICAL WALL-MOUNTED)



Model available***



Frontal control knob



Easy maintenance

MAGNESIUM ANODE

Tank protection



Dry ceramic heating element

*Only for 50 L to 100 L. **Depending on models - ***Model types: A: Vertical wall-mounted / B: Horizontal wall-mounted / C: Floor-standing

Steatite



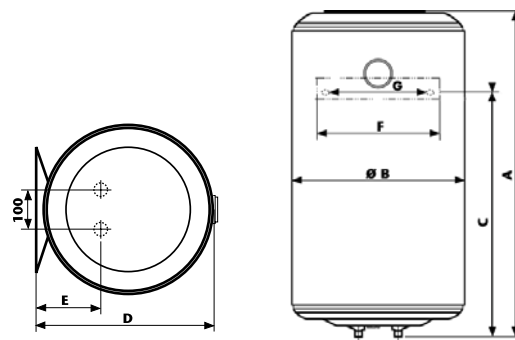
- 1 External thermometer
- 2 Diamond-quality enamel (glass-lined inner tank)
- 3 Optimised stainless steel outlet pipe
- 4 Magnesium anode
- 5 Steatite dry heating element
- 6 Inlet diffuser
- 7 Enamelled sleeve
- 8 High-density polyurethane foam 0% CFC
- 9 Frontal control knob
- 10 Dielectric union
- 11 Thermostat



STEATITE
TECHNOLOGY

Thanks to the unique Steatite technology, the water heater is well adapted to aggressive, hard and desalinated water. Ceramic heating element is protected by enamelled steel sleeve, which grants a large heat exchange surface and reduces limescale deposits.

INSTALLATION DIMENSIONS



TECHNICAL DATA

CAPACITY (L)	OUTPUT (W)	VOLTAGE (V)	ENERGY CONSUMPTION (kWh/24 h AT 65°C)	HEAT-UP TIME AT 60°C (ΔT=50°C)
50	1500	230 (220/240)	0.95	1h50
80	1500	230 (220/240)	1.35	3h19
100	1500	230 (220/240)	1.7	4h24
150	1800	230 (220/240)	1.59	5h16
200	2400	230 (220/240)	1.94	5h20

DIMENSIONS

CAPACITY (L)	DIMENSIONS (mm)							FLANGE OPENING (Ø) mm	NET WEIGHT (kg)	ERP ENERGY CLASS	PROFILE
	A	B	C	D	E	F	G				
50	629	433	395	451	158	300	239	72	15	C	M
80	876	433	605	451	158	300	239	72	21	C	L
100	1038	433	755	451	158	300	239	72	24	C	L
150	1220	505	800	520	169	-	440	72	41	C	M
200	1550	505	800	525	170	-	440	72	51	C	L