

MANIFOLD SERIES GMAx00



PRODUCT DESCRIPTION

The following assortment is dedicated to circulation Units DN25/32 and Flexi. The product line contain of manifolds for 2, 3, 4 and 5 heating circuits, manifolds with integrated hydraulic separation for 2 and 3 heating circuits as well hydraulic separation for systems with boilers equipped with pumps to balance the flow. All manifolds have high class insulation shell and thermic separation to increase the system performance. The hydraulic separation and the manifolds with integrated hydraulic separation have additional connection which allows connection for e.g. sensor, safety group etc. All connections are color coded for easy and quick connection to the system and circulation units. All products are delivered with wall brackets.

KEY BENEFITS

- Color coded connections
- Thermal separation
- Additional connection
- High class insulation shell
- Low pressure drop

SERVICE AND MAINTENANCE

The manifold does not require any specific maintenance under normal conditions.



ESBE Series GMA421 ESBE Series GMA431
Manifold for 2 units, Manifold for 3 units,
without integrated hydraulic separator function.



ESBE Series GMA411 ESBE Series GMA521 ESBE Series GMA531
for 1 unit, Manifold for 2 units, Manifold for 3 units,
with integrated hydraulic separator function.

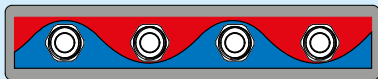
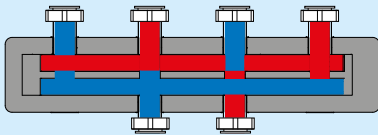
TECHNICAL DATA

Pressure class: _____ PN 6
Media temperature: _____ max. +110°C
_____ min. 0°C
Working pressure: _____ 0.6 MPa (6 bar)
Standard outlet spacing: _____ 125 mm
Flow rate: _____ see graph

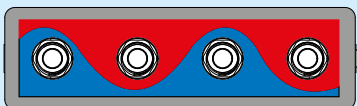
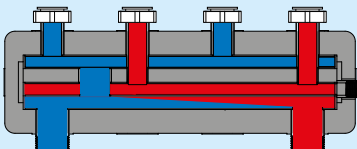
Material:

Components in contact with water: ___ Black coated steel S235
Insulation: _____ EPP λ 0.036 W/mK

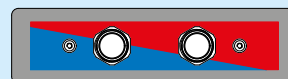
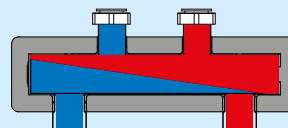
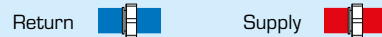
FLOW ILLUSTRATIONS



GMA421



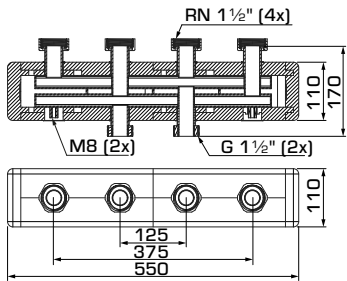
GMA521



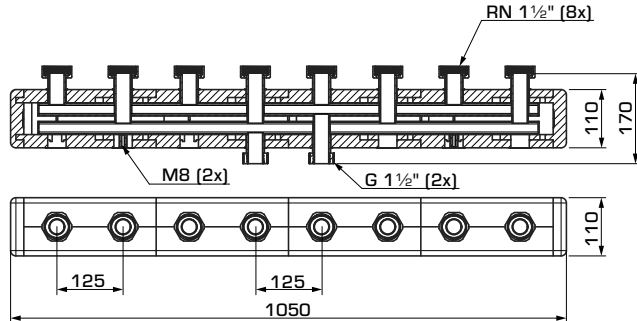
GMA411

MANIFOLD SERIES GMAx00

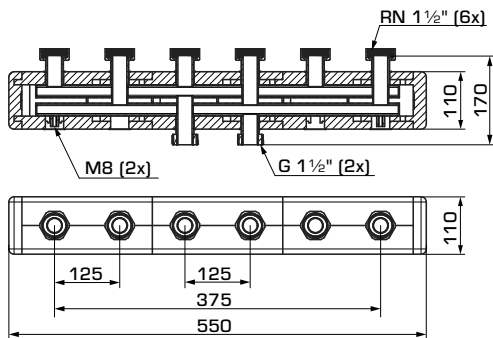
PRODUCT ASSORTMENT



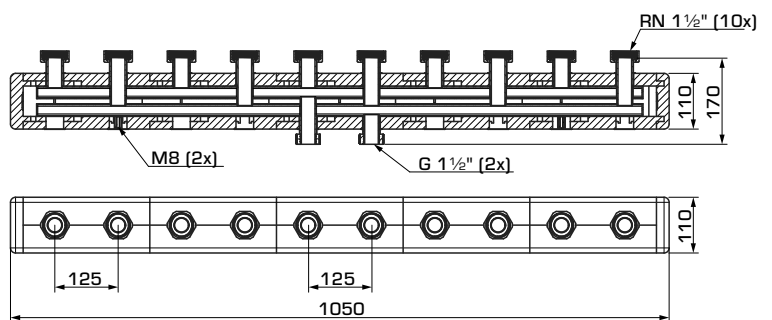
GMA421



GMA441



GMA431



GMA451

ESBE Manifolds without hydraulic separator

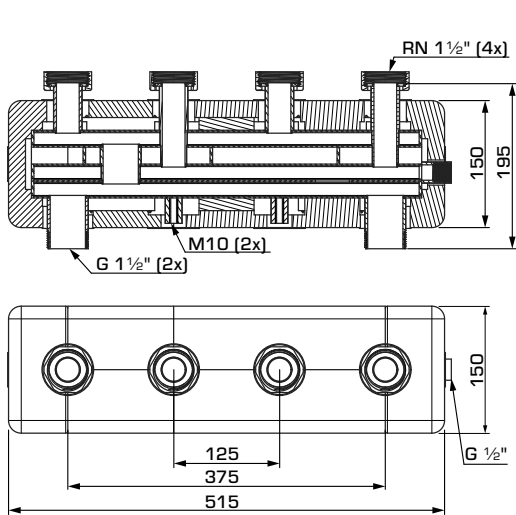
Art. No.	Reference	No. of circulation units	Connections		With hydraulic separator	Weight [kg]	Note
			To system	From Heat source			
66001200	GMA421	2	RN 1 1/2"	G 1 1/2"	No	5,3	
66001300	GMA431	3				7,2	
66001400	GMA441	4					1)
66001500	GMA451	5					1)

* RN = Rotating nut

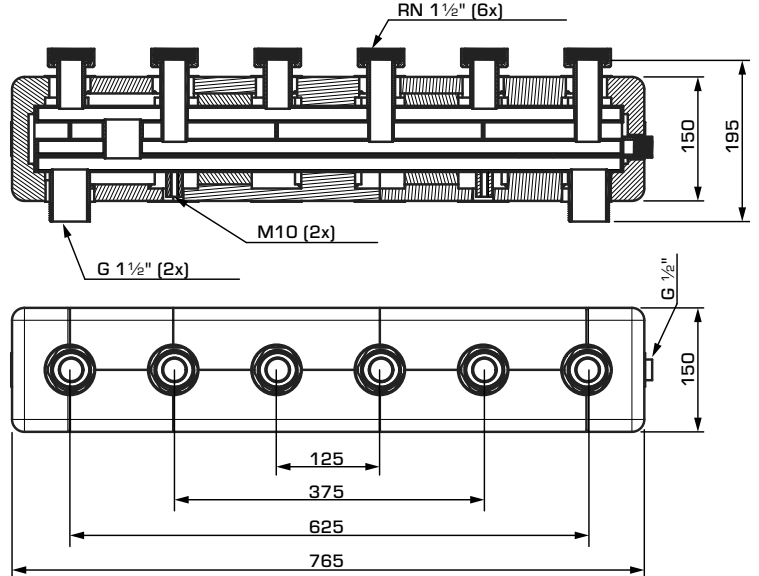
Note 1) Products on the request have a longer lead time, in order to know the delivery time please contact our customer service for more information

MANIFOLD SERIES GMAx00

PRODUCT ASSORTMENT



GMA521

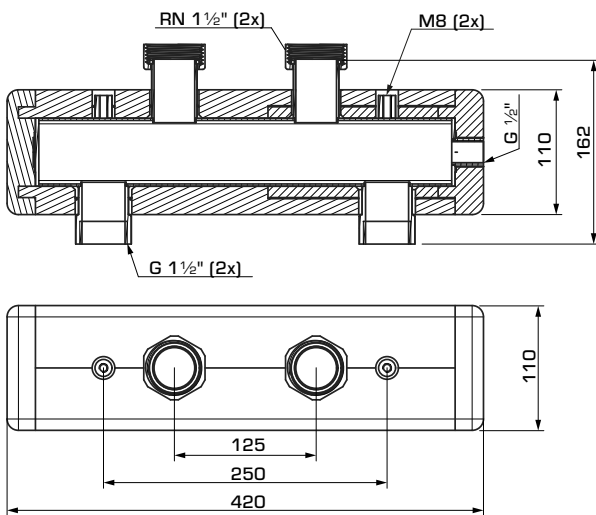


GMA531

ESBE Manifolds with hydraulic separator

Art. No.	Reference	No. of circulation units	Connections		With hydraulic separator	Weight [kg]	Note
			To system	From Heat source			
66001600	GMA521	2	RN 1 1/2"	G 1 1/2"	Yes	8,2	
66001700	GMA531	3					

* RN = Rotating nut



GMA411

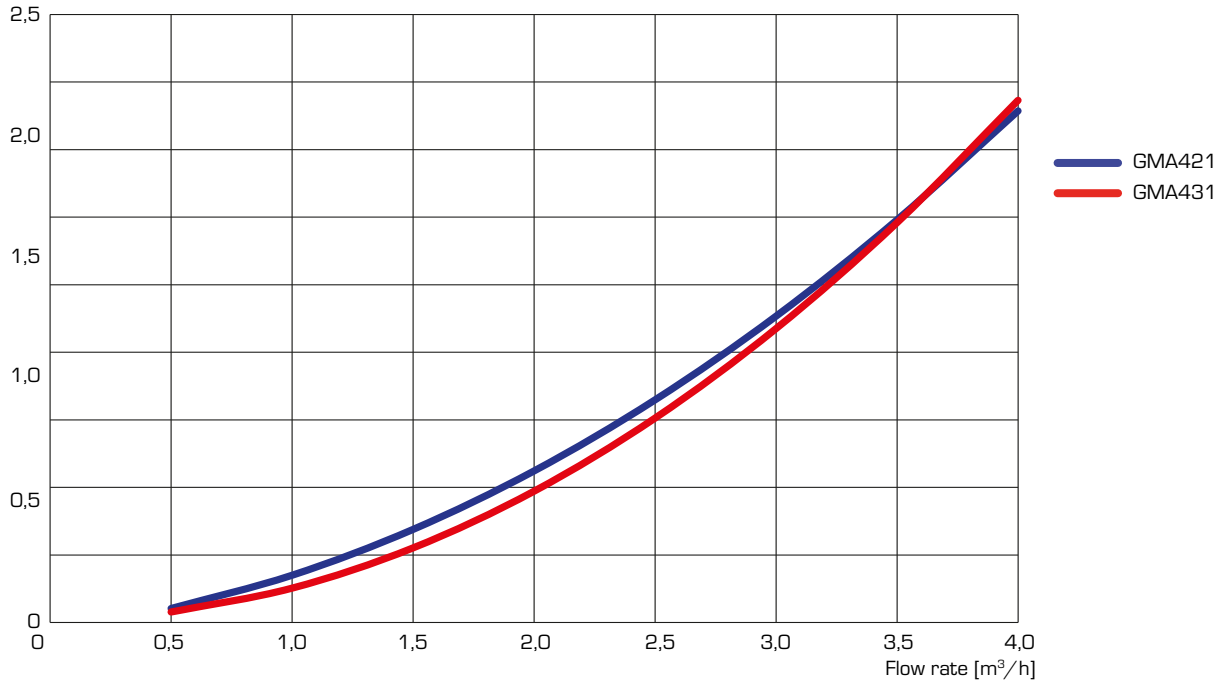
ESBE Hydraulic separation

Art. No.	Reference	No. of circulation units	Connections		With hydraulic separator	Weight [kg]	Note
			To system	From Heat source			
66001100	GMA411	1	RN 1 1/2"	G 1 1/2"	Yes	4,3	

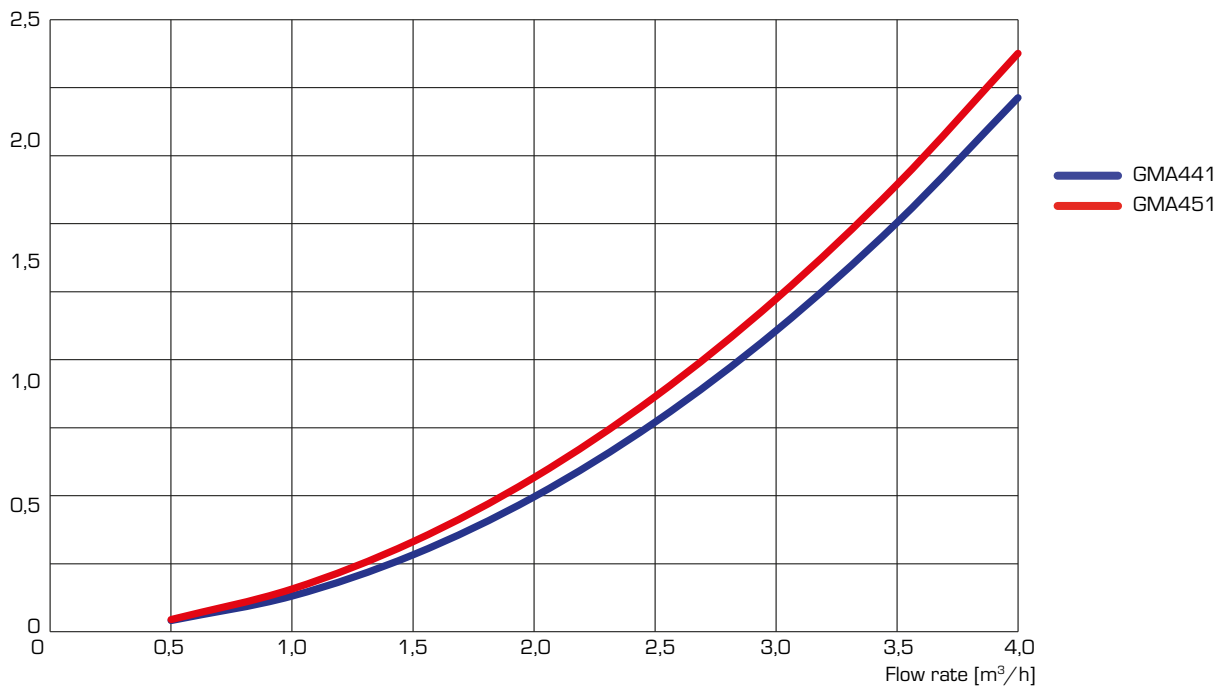
* RN = Rotating nut

MANIFOLD SERIES GMAx00

Pressure loss
[kPa]



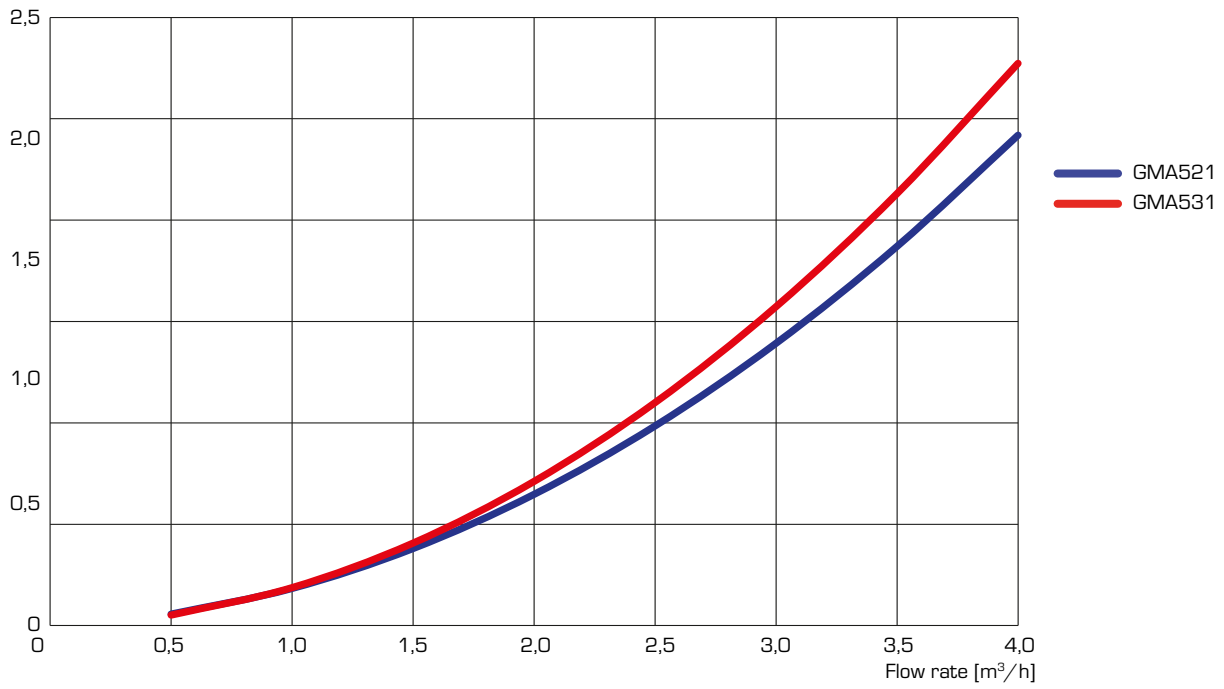
Pressure loss
[kPa]



MANIFOLD

SERIES GMAx00

Pressure loss
[kPa]



Pressure loss
[kPa]

