

CHECK VALVE zCHE



Body material	Nominal pressure	Nominal diameter	Max. temperature
H Brass	C 16 bar	DN 15-100	200°C
I Stainless steel	E 40 bar	DN 15-300	300°C

FEATURES

- compact settlement
- environment-friendly
- no maintenance
- tests acc. to EN 12266-1 class D
- face-to-face dimension according to EN 558 series 49 (DN15 - DN100)

APPLICATION *

*not all of the applications are suitable for all of the executions

industries						
	INDUSTRY	SHIPBUILDING INDUSTRY	HEATING	POWER ENGINEERING	REFRIGERATION AND AIR CONDITIONING	
media						
	GLYCOL	INDUSTRIAL WATER	DIATHERMIC OIL	STEAM	COMPRESSED AIR	NEUTRAL FLUIDS

Data given can be changed without notice.

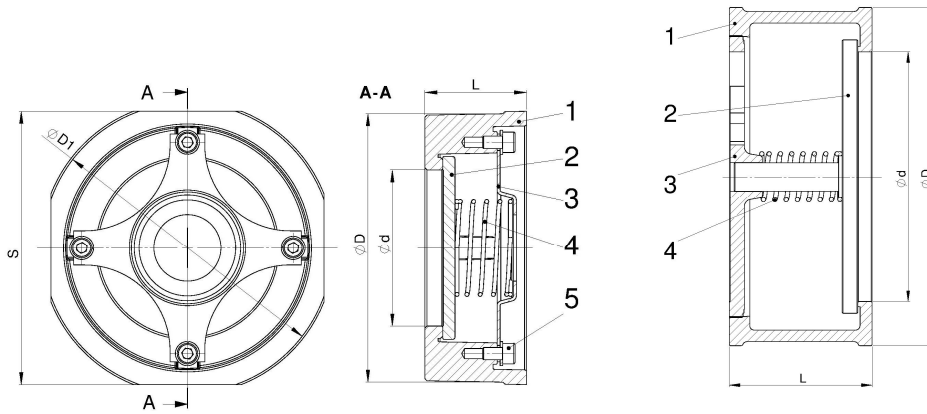
Edition 01/2018

FIG.275

MATERIALS, DIMENSIONS

DN 15-100

DN 125-300



	Body material	H	I	
			51	
			DN 15-100	DN 125-300
	Type	50		
1	Body	CuZn39Pb2	GX5CrNiMo19-11-2	GX5CrNiMo19-11-2
2	Disc	X6CrNiMoTi17-12-2	GX5CrNiMo19-11-2	GX5CrNiMo19-11-2
3	Centring ring	X5CrNi18-10	X3CrNiMo17-13-3	GX5CrNiMo19-11-2
4	Spring	X6CrNiMoTi17-12-2	X3CrNiMo17-13-3	X3CrNiMo17-13-3
5	Bolt	A4-70
Max. temperature		200°C	300°C	300°C

Body material H

DN	mm	15	20	25	32	40	50	65	80	100
	inch	1/2	3/4	1	1 1/4	1 1/2	2	2 1/2	3	4
d (mm)		15	20	25	31	39	47	62	74	89
D (mm)		40	47	56	72	82	95	115	132	152
L (mm)		16	19	22	28	32	40	46	50	60
Weight (kg)		0,10	0,13	0,21	0,48	0,63	1	1,5	2	3,2
Kvs (m³/h)		3,5	7,2	10,3	16,6	21,8	33,2	55,5	72,7	105,5
Opening pressure according to flow direction (mbar)	→	7,5	7,5	7,5	8,5	9,0	9,5	10,0	10,5	11,5
	↑	10,0	10,0	10,0	12,0	13,0	14,0	15,0	16,0	18,0
	↓	5,0	5,0	5,0	5,0	5,0	5,0	5,0	5,0	5,0

Data given can be changed without notice.

Edition 01/2018

ZETKAMA Sp. z o.o.
Ul. 3 Maja 12
PL 57-410 Ścinawka Średnia

Tel. +48 74 8652 193
Tel. +48 74 8652 111
Fax +48 74 8652 199

E-mail export@zetskama.com.pl
www.zetskama.com

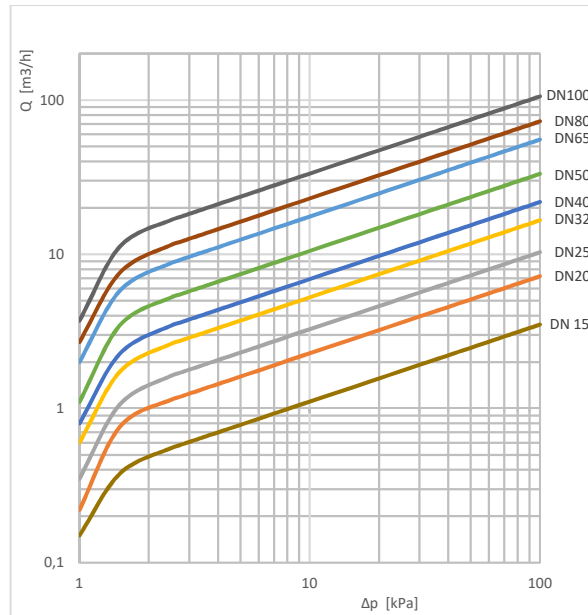
Body material I

DN	mm	15	20	25	32	40	50	65	80	100	125	150	200	250	300
	inch	1/2	3/4	1	1 1/4	1 1/2	2	2 1/2	3	4	5	6	8	10	12
d (mm)		15	19	25	30	38	47	62	77	95	122	148	200	250	300
D (mm)		43,5	53,5	63,5	76	86	96	116,5	123	152,5	190,5	219	282	340	400
L (mm)		16	19	22	28	31,5	40	46	50	60	90	106	140	145	160
S (mm)		45	55,5	65	78,5	88,5	98,5	119	134,5	154,5
D1 (mm)		53	63	73	84	94	107	126	144,5	164
Weight (kg)		0,10	0,16	0,28	0,52	0,70	1,10	1,58	1,78	3,30	8	12	22	35	45
K _{vs} (m ³ /h)		4,4	6,8	10,8	17,0	26,0	43,0	60,0	80,0	113	183	258	410	698	732
Opening pressure according to flow direction (mbar)	→	22,5	22,5	22,5	23,5	24,5	24,5	25,0	25,5	26,5	22,0	22,0	22,0	22,0	22,0
	↑	25,0	25,0	25,0	27,0	28,0	29,0	30,0	31,0	33,0	30,0	30,0	30,0	30,0	30,0
	↓	20,0	20,0	20,0	20,0	20,0	20,0	20,0	20,0	20,0	20,0	10,0	10,0	10,0	10,0

PRESSURE-TEMPERATURE RATINGS

Acc. EN 1092-3	PN		-10°C÷120°C	150°C	200°C		
CuZn39Pb2	16	bar	16	16	13,5		
Acc. EN 1092-1			-10°C÷100°C	150°C	200°C	250°C	300°C
G-X5CrNiMo19-11-2	40	bar	40	36,3	33,7	31,8	29,7

HYDRAULIC CHARACTERISTICS 275 H DN 15-100



Data given can be changed without notice.

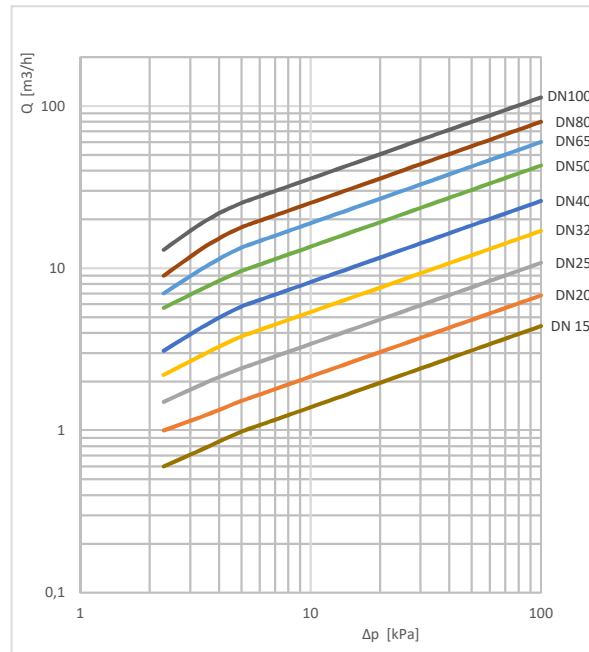
Edition 01/2018

ZETKAMA Sp. z o.o.
 Ul. 3 Maja 12
 PL 57-410 Ścinawka Średnia

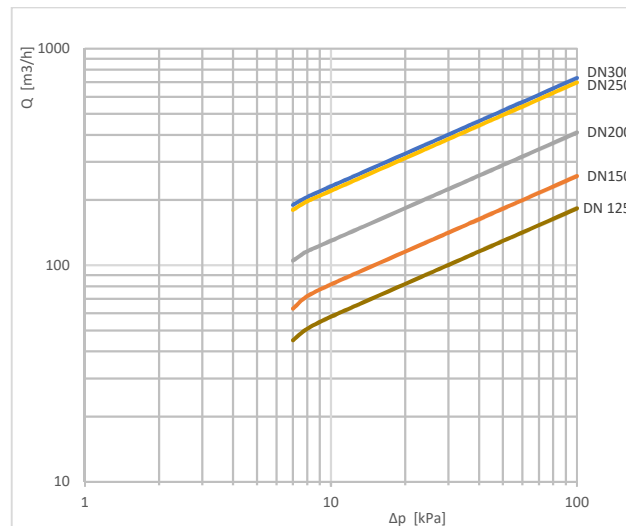
Tel. +48 74 8652 193
 Tel. +48 74 8652 111
 Fax +48 74 8652 199

E-mail export@zetkama.com.pl
 www.zetkama.com

HYDRAULIC CHARACTERISTICS 275 I DN 15-100



HYDRAULIC CHARACTERISTICS 275 I DN 125-300



Data given can be changed without notice.

Edition 01/2018

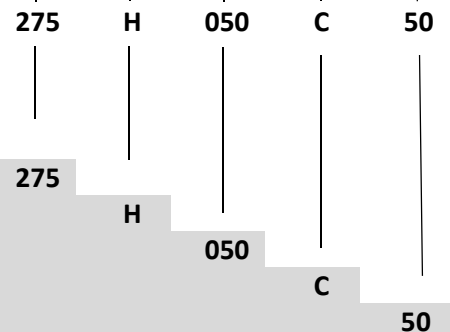
TYPE

Figure	Body material	Nominal diameter	Nominal pressure	Type
275	H Brass CuZn36Pb2	15-100 mm	C 16 bar	50 disc and spring - stainless steel, seat ring- brass
	I Stainless steel GX5CrNiMo19-11-2	15-300 mm	E 40 bar	51 disc, spring and seat ring- stainless steel, disc with spring

ORDERING

Figure	Body material	Nominal diameter	Nominal pressure	Type
275	H Brass CuZn36Pb2	15-100 mm	C 16 bar	50 disc and spring - stainless steel, seat ring- brass

Order example acc. index



Check valve, ends wafer type, form straight
 Brass CuZn36Pb2
 Nominal diameter (mm)
 Nominal pressure PN 16
 Disc and spring - stainless steel, seat ring- brass

Data given can be changed without notice.

Edition 01/2018