

Daudzums	Apraksts
----------	----------

1	<b>MAGNA1 25-100 N</b>
---	------------------------



Piezīme. Produkta attēls var atšķirties no faktiskā produkta izskata.

Produkta Nr.: [99221226](#)

The Grundfos MAGNA1 circulator pump is the simple option for a job well done.

With its high energy efficiency the product lives up to the EuP 2015 regulations ensuring substantial savings on electricity, and with its intuitive, user-friendly interface and maintenance-free design, MAGNA1 is the ideal circulator pump for basic performance needs in applications where basic system control and monitoring are desired.

With this range of circulator pumps, everything from setup to basic control and monitoring are made easy. The pump is maintenance-free due to the canned-rotor type design.

MAGNA1 offers the possibility of monitoring the pump via the fault relay output. The digital start/stop input remotely controls the pump.

The pump communicates wirelessly with the Grundfos GO Remote app.

MAGNA1 can work as main pump in both heating and cooling applications, including:

- Mixing loops
- Heating surfaces
- Air-conditioning surfaces
- Ground-source heat pump systems
- Smaller chiller applications.

MAGNA1 is a single-phase pump and characterised by having the controller and operating panel integrated in the control box.

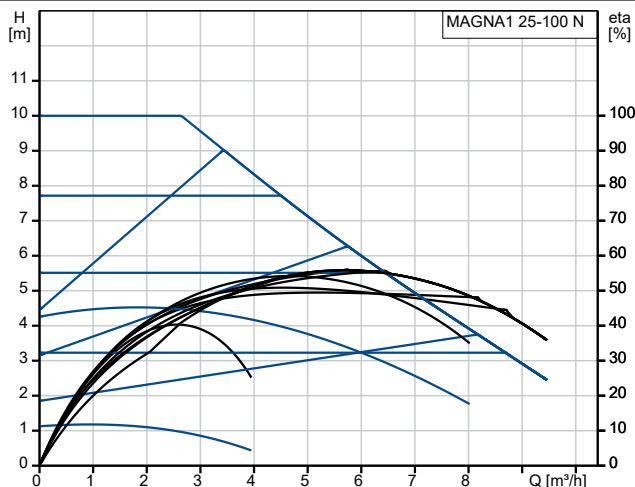
The pump housing is available in both cast-iron and stainless-steel versions.

The composite rotor can is carbon-fibre reinforced, the bearing plate and rotor cladding are made of stainless steel and the stator housing is made of aluminium.

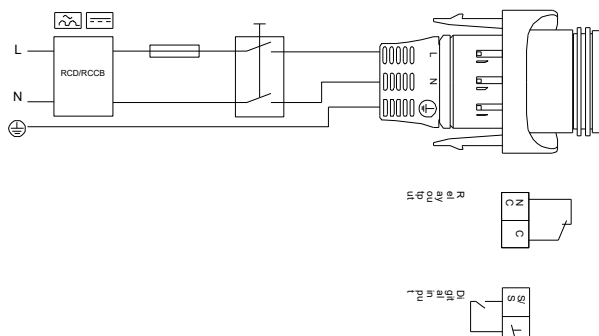
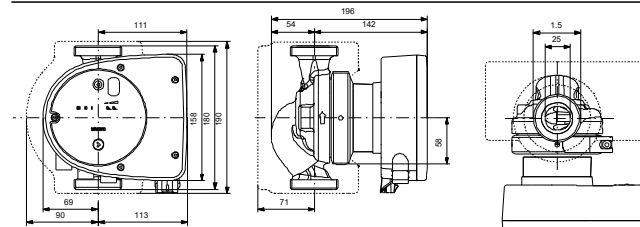
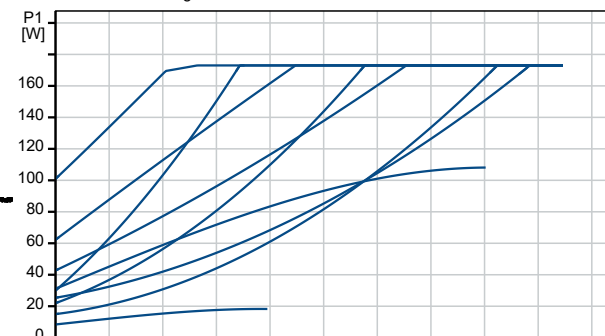
The power electronics are air-cooled.

The pump incorporates a 4-pole synchronous, permanent-magnet motor (PM motor). This motor type is characterised by higher efficiency than a conventional asynchronous squirrel-cage motor. The pump speed is controlled by an integrated frequency converter.

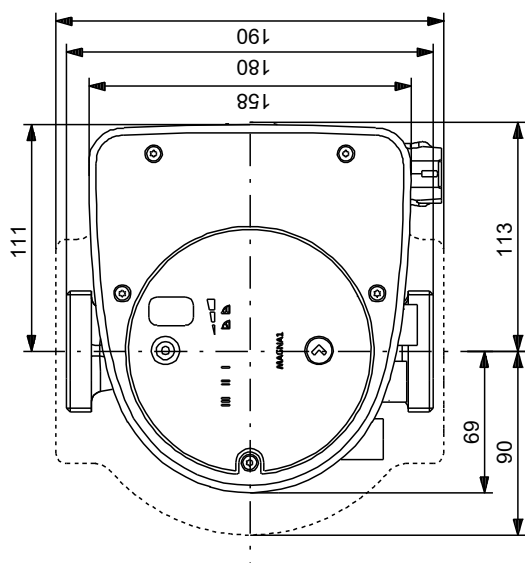
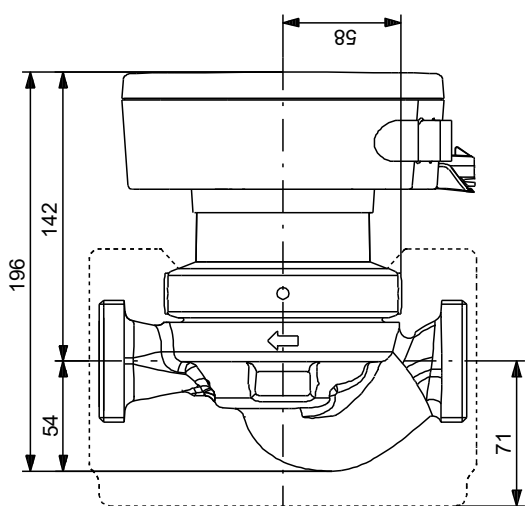
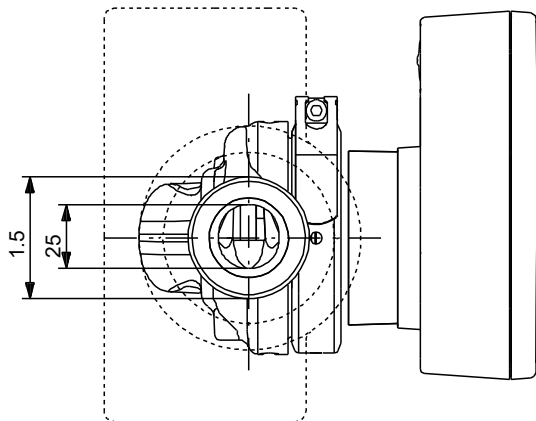
Apraksts	Vērtība
<b>Vispārējā informācija:</b>	
Produkta nosaukums:	MAGNA1 25-100 N
Produkta Nr.:	99221226
EAN numurs:	5712608941993
Cena:	EUR 1754
<b>Tehn.:</b>	
Maksimālais spiedienaugstums:	100 dm
TF klase:	110
Approvals:	CE, VDE, EAC, MOROCCO, UKCA, TSERCM, UkrSEPRO
Approvals for drinking water:	WRAS, ACS, UBA
Modelis:	C
<b>Materiāli:</b>	
Sūkņa korpuss:	Nerūsējošais tērauds
Sūkņa korpuss:	EN 1.4308
Sūkņa korpuss:	ASTM 351 CF8
Darbrats:	PES 30 %GF
<b>Uzstādīšana:</b>	
Apkārējās vides temperatūras diapazons:	0 .. 40 °C
Maksimālais darba spiediens:	10 bāri
Cauruļu savienojums:	G 1 1/2"
Spiediena pakāpe:	PN 10
Garums no viena pievienojuma līdz otram:	180 mm
<b>Šķidrums:</b>	
Sūknējamais šķidrums:	Ūdens
Šķidruma temperatūras diapazons:	-10 .. 110 °C
izvēlētā šķidruma temperatūra:	60 °C
Blīvums pie izvēlētās šķidruma temperatūras:	983.2 kg/m <sup>3</sup>
<b>Elektriskie dati:</b>	
ļeejas jauda - P1:	9 .. 176 W
Tīkla frekvence:	50 / 60 Hz
Nominālais spriegums:	1 x 230 V
Maksimālais strāvas patēriņš:	0.09 .. 1.42 A
Korpusa klase (IEC 34-5):	X4D
Izolācijas klase (IEC 85):	F
<b>Citi:</b>	
Enerģija (EEI):	0.20
Neto svars:	4.41 kg
Bruto svars:	4.9 kg
Piegādes apjoms:	0.013 m <sup>3</sup>
Finnish LVI No.:	4615302
Izcelsmes valsts:	DE
Muitas tarifa Nr.:	84137030
Environmental approvals:	CN ROHS, WEEE



Sūknējamais šķidrums = Ūdens  
 Šķidruma temperatūra darba laikā = 60 °C  
 Blīvums = 983.2 kg/m<sup>3</sup>



## 99221226 MAGNA1 25-100 N



Piezīme! Visas mērvienības ir milimetri [mm], ja nav norādīts citādi.  
Atruna. Šajā vienkāršotajā izmēru rasējumā nav parādītas visas detaļas.