

TECHNICAL DATA

EN

Alféa Excellia HP A.I.

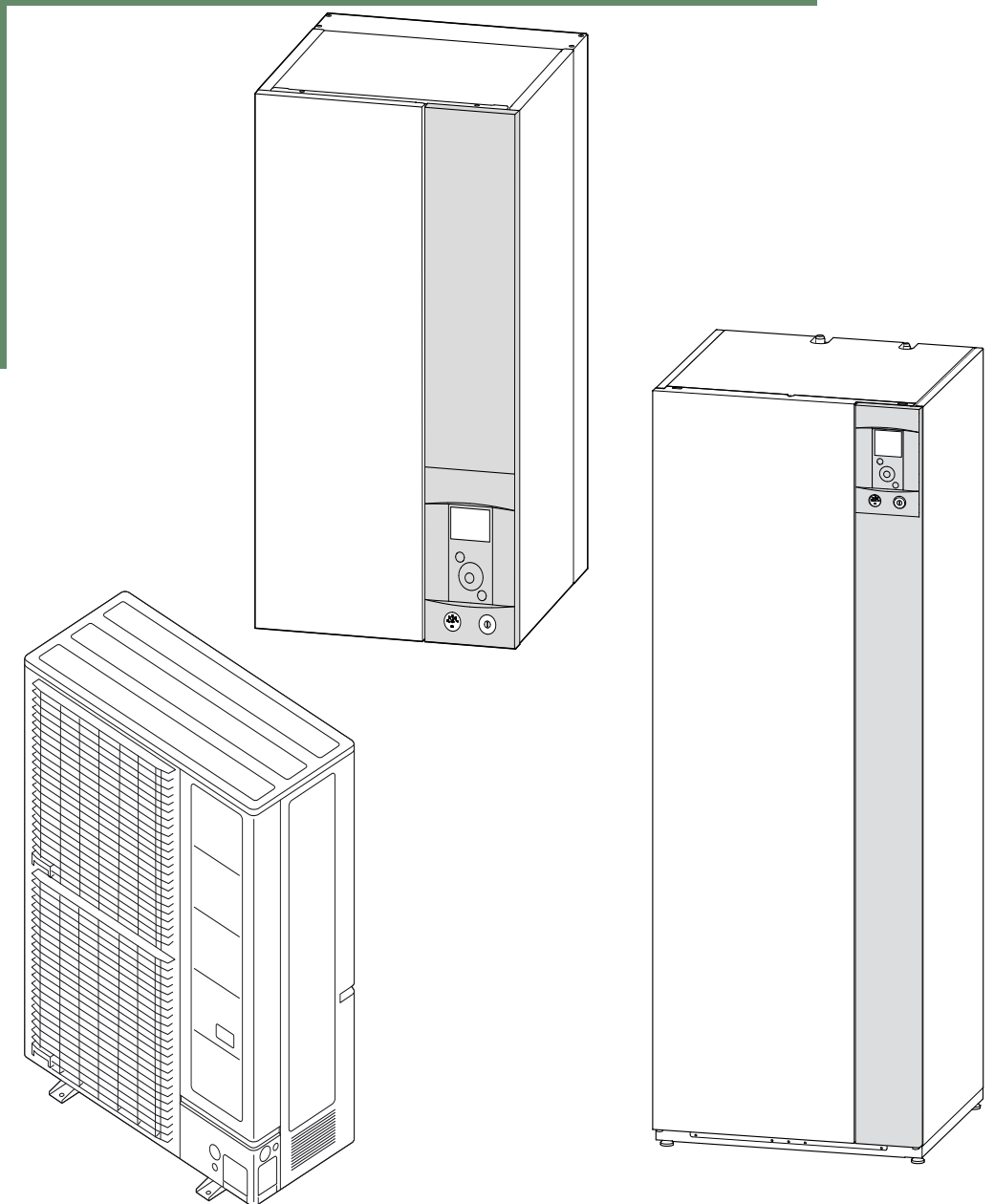
Heat pumps air/water split single phase and 3-phase
1 service and 2 services

Outdoor unit

- WOYG160LJL
- WOYK150LJL
- WOYK170LJL

Hydraulic module

- 024141
- 024143
- 024145
- 024147



Contents

| | |
|--|-----------|
| General description | 3 |
| Table of dimensions and weight | 3 |
| Volume of the heating system | 3 |
| Drawing of the heat pump | 4 |
| Connection pipes. | 8 |
| ERP datas | 8 |
| Performances | 9 |
| Performances tables in heating mode whitout the electrical back-up | 9 |
| Performances tables in heating mode including progressively electrical back-up | 12 |
| Nominal performances tables in cooling mode | 15 |
| Sound power of the outdoor unit | 16 |
| Sound power curves in heating mode | 16 |
| Sound level check point | 17 |
| Hydraulic circuit | 18 |
| Availables pressure | 18 |
| Overall hydraulic layaout | 19 |
| Options | 23 |

General description

► Table of dimensions and weight

For more information, please refer to the instructions sheets 1944 (alféa excellia HP A.I.) and 1945 (alféa excellia HP Duo A.I.).

| | Single phase | 3 - phase | |
|--------------------------------|---------------------------|-------------------------------|-------------------------------|
| | alféa excellia HP A.I. 16 | alféa excellia HP A.I. tri 15 | alféa excellia HP A.I. tri 17 |
| Reference | 526651 | 526652 | 526653 |
| Outdoor unit | WOYG160LJL | WOYK150LJL | WOYK170LJL |
| Reference | 700223 | 700224 | 700225 |
| Dimensions (H x W x D) (mm) | 1428 / 1080 / 480 | 1428 / 1080 / 480 | 1428 / 1080 / 480 |
| Operating weight (kg) | 137 | 138 | 138 |

| Hydraulic unit | alféa excellia HP A.I. 16 | alféa excellia HP A.I. tri 15 / 17 |
|--------------------------------|---------------------------|------------------------------------|
| Reference | 024141 | 024143 |
| Dimensions (H x W x D) (mm) | 842 / 448 / 477 | 842 / 448 / 477 |
| Weight vacuum / water (kg) | 53 / 75 | 53 / 75 |

| | Single phase | 3 - phase | |
|--------------------------------|-------------------------------|-----------------------------------|-----------------------------------|
| | alféa excellia HP Duo A.I. 16 | alféa excellia HP Duo A.I. tri 15 | alféa excellia HP Duo A.I. tri 17 |
| Reference | 526661 | 526662 | 526663 |
| Outdoor unit | WOYG160LJL | WOYK150LJL | WOYK170LJL |
| Reference | 700223 | 700224 | 700225 |
| Dimensions (H x W x D) (mm) | 1428 / 1080 / 480 | 1428 / 1080 / 480 | 1428 / 1080 / 480 |
| Operating weight (kg) | 137 | 138 | 138 |

| Hydraulic unit | alféa excellia HP Duo A.I. 16 | alféa excellia HP Duo A.I. tri 15 / 17 |
|--------------------------------|-------------------------------|--|
| Reference | 024145 | 024147 |
| Dimensions (H x W x D) (mm) | 1851 / 648 / 684 | 1851 / 648 / 684 |
| Weight vacuum / water (kg) | 152 / 370 | 152 / 370 |

► Volume of the heating system

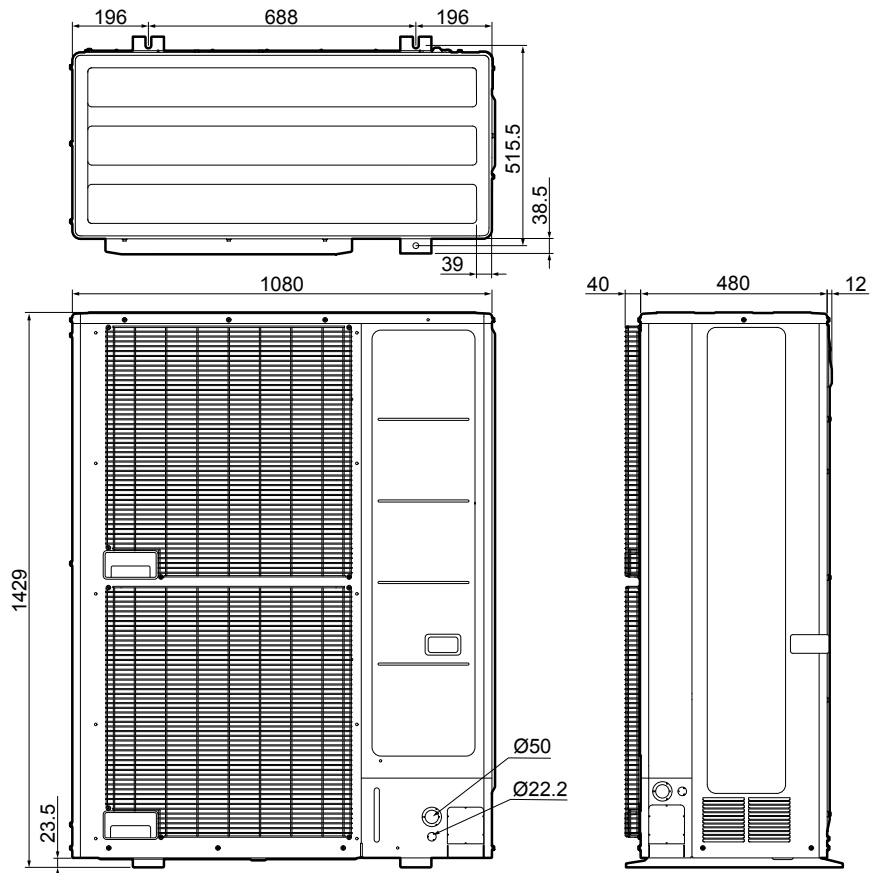
You must maintain the minimum installation water volume. Install a buffertank on the return from the heating circuit in case the volume is lower than this value. Where the system is fitted with one or more thermostatic valves, you must ensure that this minimum water volume is able to circulate.

| Appliance | Min. volume in litres PER CIRCUIT (excl. HP) | | |
|-------------|--|----------|-----------------------|
| | Fan-coil | Radiator | Heating-cooling floor |
| Size 16 | 110 | 98 | 55 |
| Size TRI 15 | 102 | 90 | 50 |
| Size TRI 17 | 119 | 106 | 60 |

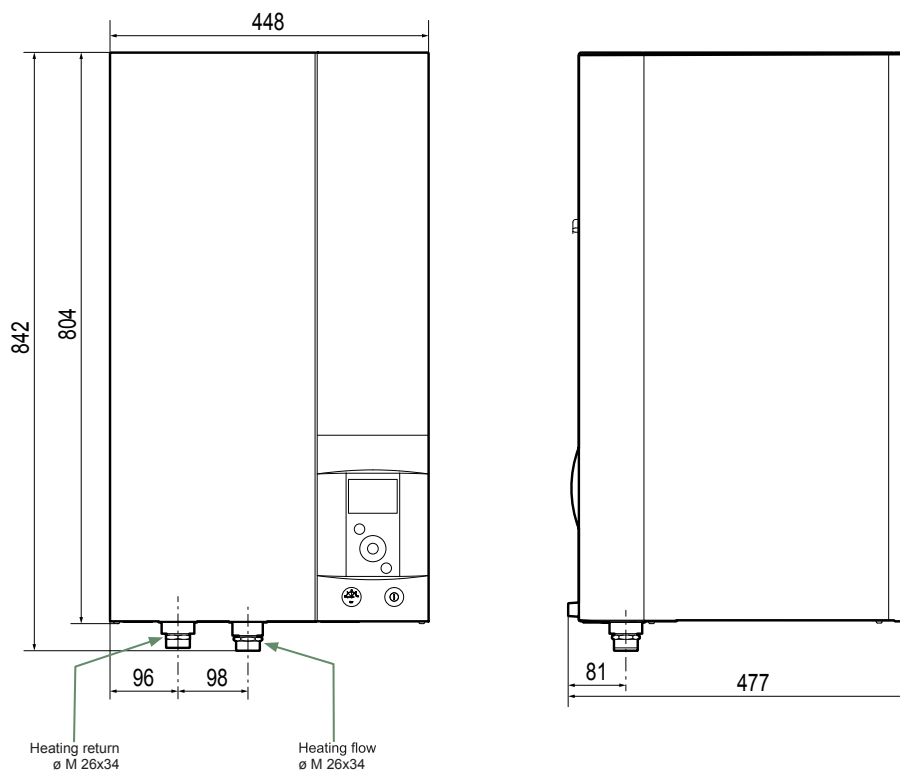
► Drawing of the heat pump

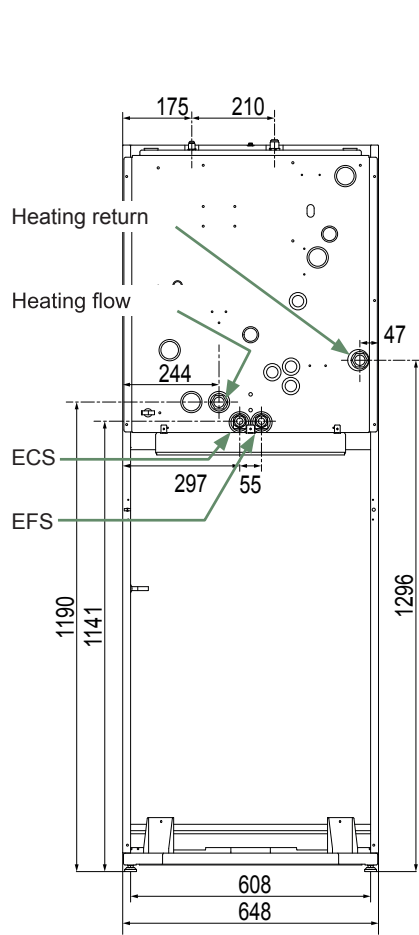
▼ Dimensional drawing

Outdoors units

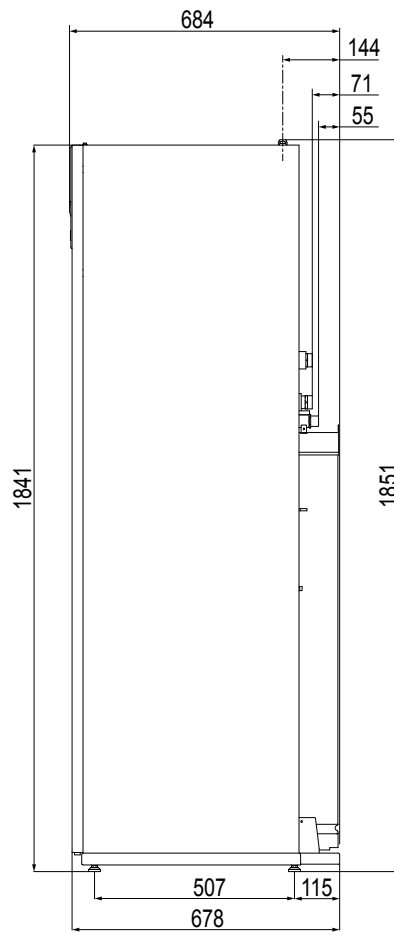


Hydraulic units

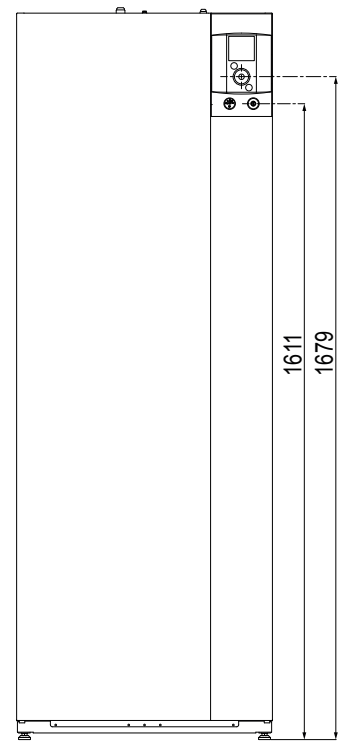




Back view



Side view



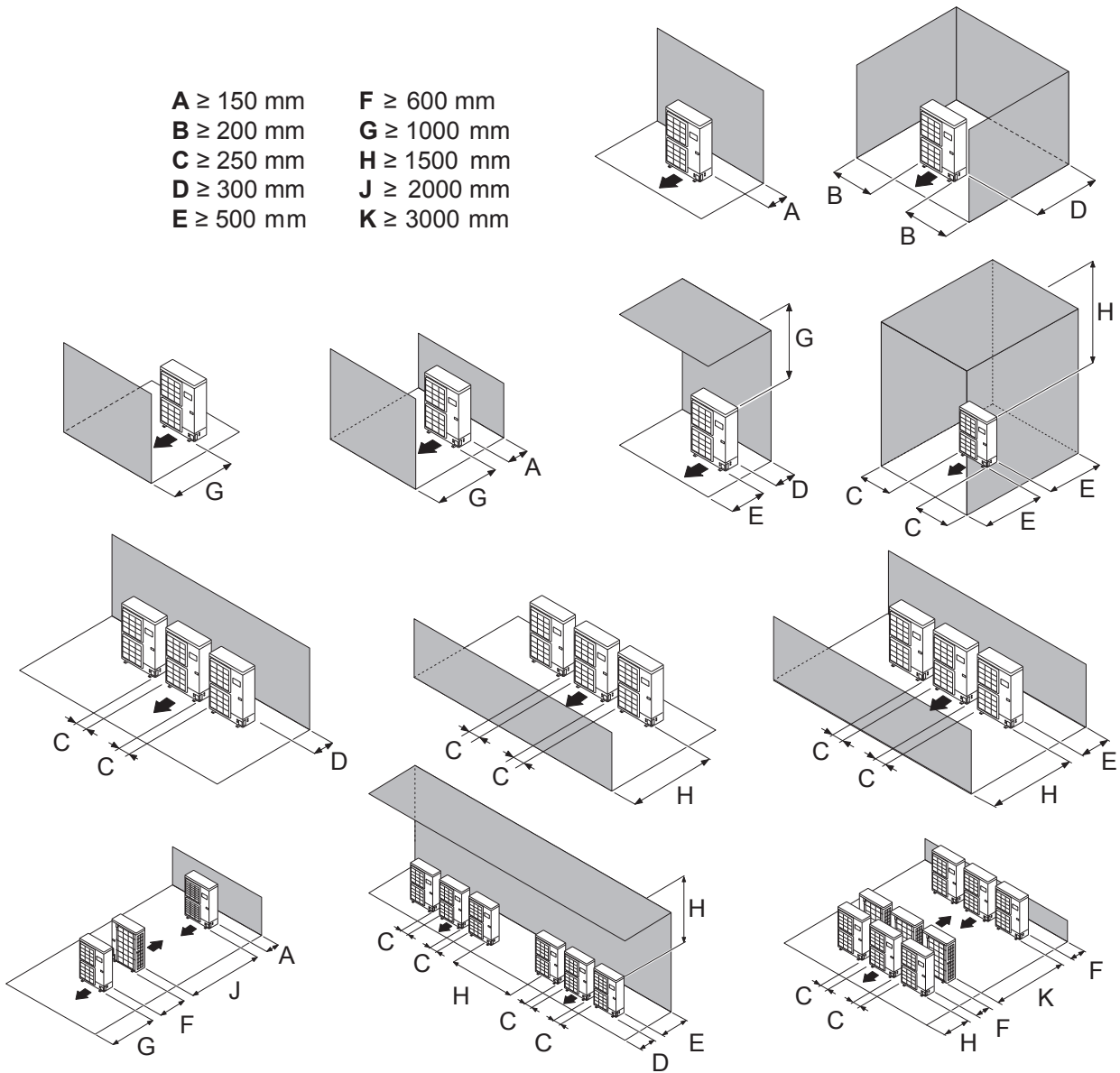
Front view

▼ Installation place

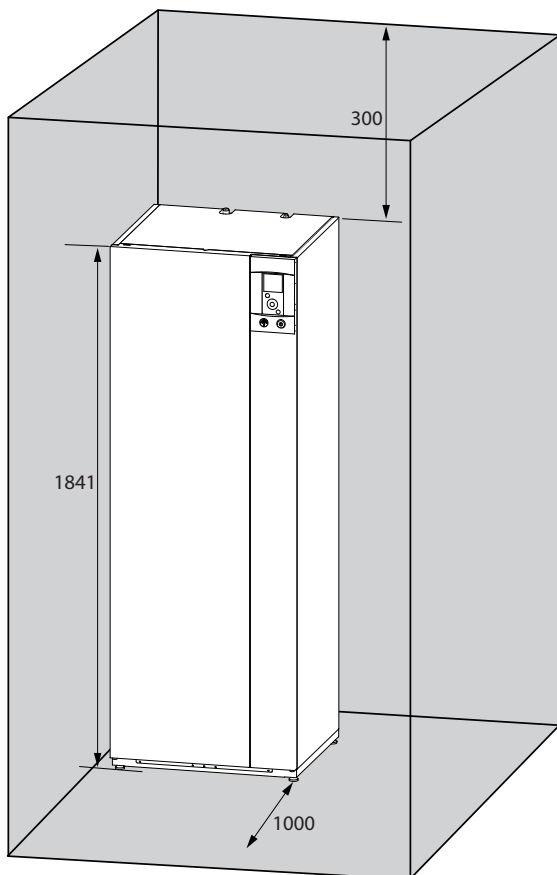
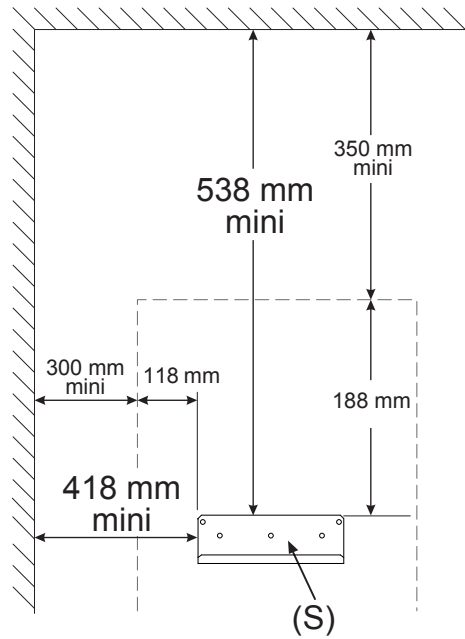
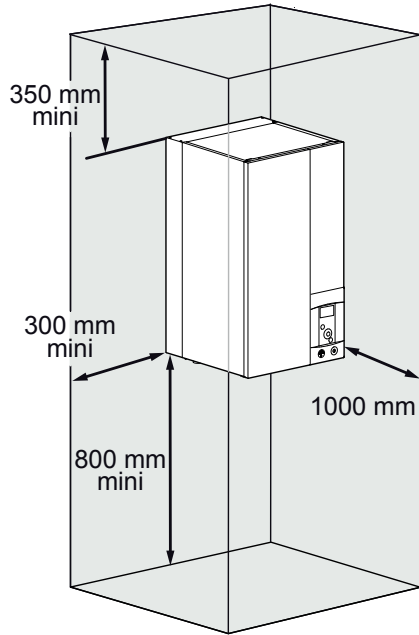
Outdoors units:

The outdoor unit must only be installed outside (outside). If a shelter is required, it must have broad openings on all 4 sides and following the installation conditions below.

- | | |
|-------------------|--------------------|
| A ≥ 150 mm | F ≥ 600 mm |
| B ≥ 200 mm | G ≥ 1000 mm |
| C ≥ 250 mm | H ≥ 1500 mm |
| D ≥ 300 mm | J ≥ 2000 mm |
| E ≥ 500 mm | K ≥ 3000 mm |



Hydraulic units



In accordance with EN 378-1 -2017 standard (Refrigerating systems and heat pumps - Safety and environmental requirements), the system's hydraulic unit and all refrigeration connections passing through inhabited areas must comply with the minimum room volume requirements shown hereafter.

The minimum volume of a room (in m³) is calculated using the formula: "fluid fill load" (in kg) / 0.39.

Alternatively, you must ensure that

- the location has natural ventilation through another room where the combined volume of the two rooms is greater than "liquid fill load" (in kg) / 0.39 kg/m³. The opening between the two rooms must have a door clearance of at least 1 cm.*
- or that the location is mechanically ventilated.*

► Connection pipes

| | Single phase | 3 - phase | |
|---|--|--|--|
| | alféa excellia HP A.I. 16 alféa excellia HP Duo A.I. 16 | alféa excellia HP A.I. tri 15 alféa excellia HP Duo A.I. tri 15 | alféa excellia HP A.I. tri 17 alféa excellia HP Duo A.I. tri 17 |
| Input and Output Circuit heating diameters (male thread) (inch) | 1" | 1" | 1" |
| Diameter of «Gaz» pipes (inch) | 5/8" | 5/8" | 5/8" |
| Diameter of «Liquid» pipes (inch) | 3/8" | 3/8" | 3/8" |

► ERP datas

| | Single phase | 3 - phase | |
|---|--|--|--|
| | alféa excellia HP A.I. 16 alféa excellia HP Duo A.I. 16 | alféa excellia HP A.I. tri 15 alféa excellia HP Duo A.I. tri 15 | alféa excellia HP A.I. tri 17 alféa excellia HP Duo A.I. tri 17 |
| Energy class - heating (35°/55°) | A++ / A++ | A++ / A++ | A++ / A++ |
| Rated heat output (kW) | 16 / 14 | 17 / 16 | 18 / 17 |
| Energy seasonal efficiency - heating (35°/55°) (%) | 163 / 125 | 164 / 130 | 161 / 130 |
| Annual energy consumption - heating (35°/55°) (kWh) | 8014 / 8757 | 8606 / 9915 | 9059 / 10232 |
| Acoustic power (indoor / outdoor) (dBa) | 45 / 67 | 45 / 67 | 45 / 67 |

| | Single phase | 3 - phase | |
|---------------------------------|--|--|--|
| | alféa excellia HP A.I. 16 alféa excellia HP Duo A.I. 16 | alféa excellia HP A.I. tri 15 alféa excellia HP Duo A.I. tri 15 | alféa excellia HP A.I. tri 17 alféa excellia HP Duo A.I. tri 17 |
| Filling profil | L | L | L |
| Energy class | A | A | A |
| Annual energy consumption (kWh) | 941 | 941 | 941 |
| Energy efficiency (%) | 109 | 109 | 109 |

Performances

► Performances tables in heating mode whitout the electrical back-up

▼ **Alféa Excellia HP A.I. 16 and alféa Excellia HP Duo A.I. 16**

Test conditions comply with EN 14825 whitout electrical backup

| | | Starting temperature | | | | | | | | | | | | | | | | | | | | | | | |
|---------------------|------|----------------------|-------|------|-------|-------|------|-------|-------|------|-------|-------|------|-------|-------|------|-------|-------|------|-------|-------|------|-------|-------|------|
| | | 25°C | | | 30°C | | | 35°C | | | 40°C | | | 45°C | | | 50°C | | | 55°C | | | 60°C | | |
| | | IP | HC | COP | IP | HC | COP | IP | HC | COP | IP | HC | COP | IP | HC | COP | IP | HC | COP | IP | HC | COP | IP | HC | COP |
| Outdoor temperature | 35°C | 3.50 | 21.26 | 6.07 | 3.62 | 20.58 | 5.68 | 3.75 | 19.58 | 5.23 | 3.92 | 18.72 | 4.78 | 4.12 | 17.90 | 4.34 | 4.33 | 17.08 | 3.94 | 4.55 | 16.25 | 3.57 | 4.76 | 15.43 | 3.24 |
| | 34°C | 3.50 | 21.20 | 6.05 | 3.62 | 20.52 | 5.67 | 3.75 | 19.53 | 5.21 | 3.92 | 18.67 | 4.77 | 4.12 | 17.85 | 4.33 | 4.33 | 17.03 | 3.93 | 4.55 | 16.20 | 3.56 | 4.76 | 15.38 | 3.23 |
| | 33°C | 3.50 | 21.14 | 6.04 | 3.62 | 20.47 | 5.65 | 3.74 | 19.48 | 5.20 | 3.92 | 18.62 | 4.76 | 4.12 | 17.80 | 4.32 | 4.33 | 16.98 | 3.92 | 4.54 | 16.16 | 3.56 | 4.76 | 15.34 | 3.22 |
| | 32°C | 3.50 | 21.08 | 6.03 | 3.62 | 20.41 | 5.64 | 3.74 | 19.42 | 5.19 | 3.91 | 18.57 | 4.74 | 4.12 | 17.75 | 4.31 | 4.33 | 16.93 | 3.91 | 4.54 | 16.11 | 3.55 | 4.76 | 15.29 | 3.22 |
| | 31°C | 3.50 | 21.03 | 6.01 | 3.62 | 20.36 | 5.63 | 3.74 | 19.37 | 5.18 | 3.91 | 18.52 | 4.73 | 4.11 | 17.70 | 4.30 | 4.33 | 16.88 | 3.90 | 4.54 | 16.06 | 3.54 | 4.75 | 15.25 | 3.21 |
| | 30°C | 3.50 | 20.97 | 6.00 | 3.62 | 20.30 | 5.61 | 3.74 | 19.32 | 5.17 | 3.91 | 18.47 | 4.72 | 4.11 | 17.65 | 4.29 | 4.33 | 16.83 | 3.89 | 4.54 | 16.02 | 3.53 | 4.75 | 15.20 | 3.20 |
| | 29°C | 3.49 | 20.91 | 5.98 | 3.61 | 20.25 | 5.60 | 3.74 | 19.27 | 5.15 | 3.91 | 18.42 | 4.71 | 4.11 | 17.60 | 4.28 | 4.32 | 16.79 | 3.88 | 4.54 | 15.97 | 3.52 | 4.75 | 15.16 | 3.19 |
| | 28°C | 3.49 | 20.86 | 5.97 | 3.61 | 20.19 | 5.59 | 3.74 | 19.21 | 5.14 | 3.91 | 18.37 | 4.70 | 4.11 | 17.55 | 4.27 | 4.32 | 16.74 | 3.87 | 4.53 | 15.92 | 3.51 | 4.75 | 15.11 | 3.18 |
| | 27°C | 3.49 | 20.80 | 5.96 | 3.61 | 20.14 | 5.58 | 3.73 | 19.16 | 5.13 | 3.91 | 18.32 | 4.69 | 4.11 | 17.50 | 4.26 | 4.32 | 16.69 | 3.86 | 4.53 | 15.88 | 3.50 | 4.75 | 15.07 | 3.17 |
| | 26°C | 3.49 | 20.74 | 5.94 | 3.61 | 20.09 | 5.56 | 3.73 | 19.11 | 5.12 | 3.90 | 18.27 | 4.68 | 4.11 | 17.46 | 4.25 | 4.32 | 16.64 | 3.85 | 4.53 | 15.83 | 3.49 | 4.74 | 15.02 | 3.17 |
| | 25°C | 3.49 | 20.69 | 5.93 | 3.61 | 20.03 | 5.55 | 3.73 | 19.06 | 5.11 | 3.90 | 18.22 | 4.67 | 4.10 | 17.41 | 4.24 | 4.32 | 16.60 | 3.85 | 4.53 | 15.79 | 3.49 | 4.74 | 14.98 | 3.16 |
| | 24°C | 3.49 | 20.63 | 5.92 | 3.61 | 19.98 | 5.54 | 3.73 | 19.01 | 5.10 | 3.90 | 18.17 | 4.66 | 4.10 | 17.36 | 4.23 | 4.31 | 16.55 | 3.84 | 4.53 | 15.74 | 3.48 | 4.74 | 14.93 | 3.15 |
| | 23°C | 3.49 | 20.58 | 5.90 | 3.61 | 19.92 | 5.53 | 3.73 | 18.96 | 5.08 | 3.90 | 18.12 | 4.65 | 4.10 | 17.31 | 4.22 | 4.31 | 16.50 | 3.83 | 4.53 | 15.70 | 3.47 | 4.74 | 14.89 | 3.14 |
| | 22°C | 3.48 | 20.52 | 5.89 | 3.60 | 19.87 | 5.51 | 3.73 | 18.91 | 5.07 | 3.90 | 18.07 | 4.64 | 4.10 | 17.26 | 4.21 | 4.31 | 16.46 | 3.82 | 4.52 | 15.65 | 3.46 | 4.74 | 14.85 | 3.13 |
| | 21°C | 3.48 | 20.47 | 5.88 | 3.60 | 19.82 | 5.50 | 3.73 | 18.86 | 5.06 | 3.90 | 18.02 | 4.63 | 4.10 | 17.22 | 4.20 | 4.31 | 16.41 | 3.81 | 4.52 | 15.61 | 3.45 | 4.74 | 14.80 | 3.13 |
| | 20°C | 3.48 | 20.41 | 5.86 | 3.60 | 19.77 | 5.49 | 3.72 | 18.81 | 5.05 | 3.89 | 17.97 | 4.61 | 4.10 | 17.17 | 4.19 | 4.31 | 16.37 | 3.80 | 4.52 | 15.56 | 3.44 | 4.73 | 14.76 | 3.12 |
| | 19°C | 3.51 | 20.36 | 5.81 | 3.63 | 19.71 | 5.43 | 3.75 | 18.76 | 5.00 | 3.94 | 17.92 | 4.55 | 4.14 | 17.12 | 4.13 | 4.36 | 16.32 | 3.75 | 4.57 | 15.52 | 3.40 | 4.78 | 14.72 | 3.08 |
| | 18°C | 3.53 | 20.31 | 5.75 | 3.66 | 19.66 | 5.37 | 3.79 | 18.71 | 4.94 | 3.98 | 17.88 | 4.49 | 4.19 | 17.07 | 4.07 | 4.41 | 16.27 | 3.69 | 4.62 | 15.47 | 3.35 | 4.83 | 14.67 | 3.04 |
| | 17°C | 3.56 | 20.25 | 5.69 | 3.69 | 19.61 | 5.31 | 3.82 | 18.66 | 4.89 | 4.02 | 17.83 | 4.43 | 4.24 | 17.03 | 4.01 | 4.46 | 16.23 | 3.64 | 4.67 | 15.43 | 3.30 | 4.88 | 14.63 | 3.00 |
| | 16°C | 3.58 | 20.20 | 5.64 | 3.72 | 19.56 | 5.25 | 3.85 | 18.61 | 4.84 | 4.07 | 17.78 | 4.37 | 4.29 | 16.98 | 3.96 | 4.51 | 16.18 | 3.59 | 4.72 | 15.39 | 3.26 | 4.93 | 14.59 | 2.96 |
| | 15°C | 3.61 | 20.14 | 5.58 | 3.75 | 19.50 | 5.19 | 3.88 | 18.56 | 4.79 | 4.11 | 17.73 | 4.31 | 4.34 | 16.93 | 3.90 | 4.56 | 16.14 | 3.54 | 4.77 | 15.34 | 3.22 | 4.98 | 14.54 | 2.92 |
| | 14°C | 3.63 | 20.09 | 5.53 | 3.79 | 19.45 | 5.14 | 3.91 | 18.51 | 4.73 | 4.15 | 17.68 | 4.26 | 4.39 | 16.89 | 3.85 | 4.61 | 16.09 | 3.49 | 4.82 | 15.30 | 3.17 | 5.04 | 14.50 | 2.88 |
| | 13°C | 3.66 | 20.04 | 5.47 | 3.82 | 19.40 | 5.08 | 3.94 | 18.46 | 4.68 | 4.20 | 17.64 | 4.20 | 4.44 | 16.84 | 3.79 | 4.66 | 16.05 | 3.45 | 4.87 | 15.25 | 3.13 | 5.09 | 14.46 | 2.84 |
| | 12°C | 3.69 | 19.98 | 5.42 | 3.85 | 19.35 | 5.03 | 3.97 | 18.41 | 4.64 | 4.24 | 17.59 | 4.15 | 4.49 | 16.80 | 3.74 | 4.71 | 16.00 | 3.40 | 4.92 | 15.21 | 3.09 | 5.14 | 14.42 | 2.81 |
| | 11°C | 3.71 | 19.91 | 5.28 | 3.87 | 19.08 | 4.93 | 4.00 | 18.19 | 4.55 | 4.28 | 17.37 | 4.05 | 4.54 | 16.58 | 3.65 | 4.76 | 15.79 | 3.32 | 4.97 | 15.00 | 3.02 | 5.19 | 14.21 | 2.74 |
| | 10°C | 3.74 | 19.24 | 5.15 | 3.89 | 18.82 | 4.84 | 4.03 | 17.98 | 4.46 | 4.33 | 17.16 | 3.96 | 4.59 | 16.37 | 3.56 | 4.81 | 15.58 | 3.24 | 5.02 | 14.79 | 2.94 | 5.24 | 14.00 | 2.67 |
| | 9°C | 3.76 | 18.87 | 5.01 | 3.91 | 18.55 | 4.75 | 4.05 | 17.76 | 4.38 | 4.37 | 16.94 | 3.88 | 4.64 | 16.15 | 3.48 | 4.86 | 15.36 | 3.16 | 5.08 | 14.58 | 2.87 | 5.29 | 13.79 | 2.60 |
| | 8°C | 3.79 | 18.50 | 4.88 | 3.93 | 18.29 | 4.65 | 4.08 | 17.54 | 4.30 | 4.41 | 16.73 | 3.79 | 4.70 | 15.94 | 3.40 | 4.91 | 15.15 | 3.09 | 5.13 | 14.37 | 2.80 | 5.34 | 13.58 | 2.54 |
| 7°C | 3.82 | 18.13 | 4.75 | 3.95 | 18.03 | 4.56 | 4.11 | 17.24 | 4.20 | 4.40 | 16.46 | 3.74 | 4.73 | 15.67 | 3.31 | 4.96 | 14.88 | 3.00 | 5.18 | 14.10 | 2.72 | 5.40 | 13.31 | 2.46 | |
| 6°C | 4.13 | 18.23 | 4.42 | 4.31 | 18.01 | 4.18 | 4.51 | 17.24 | 3.83 | 4.79 | 16.47 | 3.44 | 5.11 | 15.71 | 3.07 | 5.37 | 14.94 | 2.78 | 5.62 | 14.17 | 2.52 | 5.88 | 13.41 | 2.28 | |
| 5°C | 4.27 | 17.69 | 4.14 | 4.48 | 17.35 | 3.87 | 4.72 | 16.63 | 3.52 | 5.00 | 15.91 | 3.18 | 5.30 | 15.19 | 2.87 | 5.57 | 14.47 | 2.60 | 5.85 | 13.75 | 2.35 | 6.12 | 13.03 | 2.13 | |
| 4°C | 4.25 | 16.58 | 3.90 | 4.48 | 16.17 | 3.61 | 4.75 | 15.51 | 3.27 | 5.02 | 14.85 | 2.96 | 5.31 | 14.20 | 2.67 | 5.59 | 13.54 | 2.42 | 5.87 | 12.88 | 2.19 | 6.15 | 12.23 | 1.99 | |
| 3°C | 4.36 | 16.13 | 3.70 | 4.60 | 15.65 | 3.40 | 4.90 | 15.03 | 3.07 | 5.19 | 14.41 | 2.77 | 5.48 | 13.78 | 2.51 | 5.78 | 13.16 | 2.28 | 6.08 | 12.54 | 2.06 | 6.37 | 11.92 | 1.87 | |
| 2°C | 4.57 | 15.81 | 3.46 | 4.83 | 15.23 | 3.15 | 5.15 | 14.64 | 2.84 | 5.46 | 14.05 | 2.57 | 5.77 | 13.46 | 2.33 | 6.08 | 12.88 | 2.12 | 6.39 | 12.29 | 1.92 | 6.70 | 11.70 | 1.75 | |
| 1°C | 4.57 | 15.81 | 3.46 | 4.83 | 15.22 | 3.15 | 5.16 | 14.62 | 2.84 | 5.47 | 14.03 | 2.57 | 5.77 | 13.43 | 2.33 | 6.08 | 12.84 | 2.11 | 6.40 | 12.25 | 1.91 | 6.71 | 11.65 | 1.74 | |
| 0°C | 4.57 | 15.81 | 3.46 | 4.84 | 15.21 | 3.14 | 5.17 | 14.61 | 2.83 | 5.48 | 14.01 | 2.56 | 5.79 | 13.41 | 2.32 | 6.10 | 12.80 | 2.10 | 6.41 | 12.20 | 1.90 | 6.72 | 11.60 | 1.73 | |
| -1°C | 4.58 | 15.81 | 3.46 | 4.85 | 15.20 | 3.14 | 5.18 | 14.60 | 2.82 | 5.50 | 13.99 | 2.54 | 5.81 | 13.38 | 2.30 | 6.13 | 12.77 | 2.08 | 6.44 | 12.16 | 1.89 | 6.74 | 11.55 | 1.71 | |
| -2°C | 4.58 | 15.81 | 3.45 | 4.86 | 15.20 | 3.12 | 5.20 | 14.58 | 2.80 | 5.52 | 13.96 | 2.53 | 5.84 | 13.35 | 2.28 | 6.17 | 12.73 | 2.06 | 6.48 | 12.11 | 1.87 | 6.77 | 11.50 | 1.70 | |
| -3°C | 4.59 | 15.81 | 3.45 | 4.88 | 15.19 | 3.11 | 5.22 | 14.57 | 2.79 | 5.56 | 13.94 | 2.51 | 5.88 | 13.32 | 2.26 | 6.22 | 12.70 | 2.04 | 6.52 | 12.07 | 1.85 | 6.81 | 11.45 | 1.68 | |
| -4°C | 4.59 | 15.81 | 3.44 | 4.90 | 15.18 | 3.10 | 5.25 | 14.55 | 2.77 | 5.60 | 13.92 | 2.49 | 5.94 | 13.29 | 2.24 | 6.28 | 12.66 | 2.02 | 6.58 | 12.03 | 1.83 | 6.86 | 11.40 | 1.66 | |
| -5°C | 4.60 | 15.81 | 3.44 | 4.93 | 15.18 | 3.08 | 5.29 | 14.54 | 2.75 | 5.65 | 13.90 | 2.46 | 6.00 | 13.26 | 2.21 | 6.35 | 12.62 | 1.99 | 6.65 | 11.98 | 1.80 | 6.92 | 11.35 | 1.64 | |
| -6°C | 4.60 | 15.81 | 3.43 | 4.96 | 15.17 | 3.06 | 5.33 | 14.52 | 2.72 | 5.70 | 13.88 | 2.43 | 6.07 | 13.23 | 2.18 | 6.44 | 12.59 | 1.96 | 6.74 | 11.94 | 1.77 | 6.99 | 11.30 | 1.62 | |
| -7°C | 4.61 | 15.81 | 3.43 | 5.00 | 15.16 | 3.03 | 5.38 | 14.51 | 2.70 | 5.76 | 13.86 | 2.40 | 6.15 | 13.20 | 2.15 | 6.53 | 12.55 | 1.92 | 6.83 | 11.90 | 1.74 | 7.06 | 11.24 | 1.59 | |
| -8°C | 4.65 | 15.66 | 3.37 | 5.03 | 15.02 | 2.98 | 5.42 | 14.37 | 2.65 | 5.81 | 13.65 | 2.35 | 6.19 | 12.93 | 2.09 | 6.58 | 12.20 | 1.86 | 6.87 | 11.48 | 1.67 | 7.11 | 10.76 | 1.51 | |
| -9°C | 4.68 | 15.50 | 3.31 | 5.07 | 14.87 | 2.93 | 5.46 | 14.24 | 2.61 | 5.85 | 13.45 | 2.30 | 6.24 | 12.65 | 2.03 | 6.62 | 11.86 | 1.79 | 6.92 | 11.06 | 1.60 | 7.16 | 10.27 | 1.43 | |
| -10°C | 4.71 | 15.35 | 3.26 | 5.10 | 14.73 | 2.89 | 5.50 | 14.11 | 2.57 | 5.89 | 13.24 | 2.25 | 6.28 | 12.38 | 1.97 | 6.67 | 11.51 | 1.73 | 6.97 | 10.64 | 1.53 | 7.21 | 9.78 | 1.36 | |
| -11°C | 4.74 | 14.90 | 3.15 | 5.13 | 14.35 | 2.80 | 5.52 | 13.78 | 2.49 | 5.92 | 12.96 | 2.19 | 6.31 | 12.14 | 1.92 | 6.70 | 11.30 | 1.69 | 7.00 | 10.47 | 1.49 | 7.24 | 9.63 | 1.33 | |
| -12°C | 4.76 | 14.43 | 3.03 | 5.16 | 13.94 | 2.70 | 5.55 | 13.42 | 2.42 | 5.95 | 12.65 | 2.13 | 6.34 | 11.87 | 1.87 | 6.74 | 11.07 | 1.64 | 7.04 | 10.26 | 1.46 | 7.28 | 9.45 | 1.30 | |
| -13°C | 4.78 | 13.94 | 2.91 | 5.18 | 13.51 | 2.61 | 5.58 | 13.04 | 2.34 | 5.98 | 12.32 | 2.06 | 6.37 | 11.57 | 1.82 | 6.77 | 10.81 | 1.60 | 7.07 | 10.03 | 1.42 | 7.31 | 9.24 | 1.26 | |
| -14°C | 4.81 | 13.43 | 2.79 | 5.21 | 13.05 | 2.51 | 5.61 | 12.63 | 2.25 | 6.01 | 11.95 | 1.99 | 6.41 | 11.25 | 1.76 | 6.80 | 10.52 | 1.55 | 7.11 | 9.78 | 1.38 | 7.35 | 9.02 | 1.23 | |

▼ Alféa Excellia HP A.I. Tri 15 and alféa Excellia HP Duo A.I. Tri 15

Test conditions comply with EN 14825 whitout electrical backup

| | | Starting temperature | | | | | | | | | | | | | | | | | | | | | | | | | | |
|---------------------|------|----------------------|-------|------|-------|-------|------|-------|-------|------|-------|-------|------|-------|-------|------|-------|-------|------|-------|-------|------|-------|-------|------|--|--|--|
| | | 25°C | | | 30°C | | | 35°C | | | 40°C | | | 45°C | | | 50°C | | | 55°C | | | 60°C | | | | | |
| | | IP | HC | COP | IP | HC | COP | IP | HC | COP | IP | HC | COP | IP | HC | COP | IP | HC | COP | IP | HC | COP | IP | HC | COP | | | |
| Outdoor temperature | 35°C | 3.24 | 19.87 | 6.14 | 3.35 | 19.28 | 5.76 | 3.46 | 18.28 | 5.28 | 3.62 | 17.40 | 4.81 | 3.81 | 16.56 | 4.35 | 4.00 | 15.71 | 3.93 | 4.20 | 14.87 | 3.54 | 4.40 | 14.03 | 3.19 | | | |
| | 34°C | 3.23 | 19.82 | 6.13 | 3.34 | 19.23 | 5.75 | 3.46 | 18.23 | 5.27 | 3.62 | 17.36 | 4.80 | 3.80 | 16.51 | 4.34 | 4.00 | 15.67 | 3.92 | 4.20 | 14.83 | 3.53 | 4.40 | 13.99 | 3.18 | | | |
| | 33°C | 3.23 | 19.77 | 6.12 | 3.34 | 19.18 | 5.74 | 3.46 | 18.19 | 5.26 | 3.62 | 17.31 | 4.79 | 3.80 | 16.47 | 4.33 | 4.00 | 15.63 | 3.91 | 4.20 | 14.79 | 3.53 | 4.39 | 13.95 | 3.18 | | | |
| | 32°C | 3.23 | 19.72 | 6.11 | 3.34 | 19.13 | 5.73 | 3.45 | 18.14 | 5.25 | 3.61 | 17.27 | 4.78 | 3.80 | 16.43 | 4.32 | 4.00 | 15.59 | 3.90 | 4.19 | 14.75 | 3.52 | 4.39 | 13.91 | 3.17 | | | |
| | 31°C | 3.23 | 19.68 | 6.09 | 3.34 | 19.09 | 5.72 | 3.45 | 18.09 | 5.24 | 3.61 | 17.23 | 4.77 | 3.80 | 16.39 | 4.32 | 3.99 | 15.55 | 3.89 | 4.19 | 14.71 | 3.51 | 4.39 | 13.87 | 3.16 | | | |
| | 30°C | 3.23 | 19.63 | 6.08 | 3.34 | 19.04 | 5.71 | 3.45 | 18.05 | 5.23 | 3.61 | 17.18 | 4.76 | 3.79 | 16.34 | 4.31 | 3.99 | 15.51 | 3.89 | 4.19 | 14.67 | 3.50 | 4.38 | 13.83 | 3.15 | | | |
| | 29°C | 3.22 | 19.58 | 6.07 | 3.33 | 18.99 | 5.69 | 3.45 | 18.00 | 5.22 | 3.61 | 17.14 | 4.75 | 3.79 | 16.30 | 4.30 | 3.99 | 15.47 | 3.88 | 4.19 | 14.63 | 3.50 | 4.38 | 13.79 | 3.15 | | | |
| | 28°C | 3.22 | 19.53 | 6.06 | 3.33 | 18.94 | 5.68 | 3.45 | 17.96 | 5.21 | 3.60 | 17.09 | 4.74 | 3.79 | 16.26 | 4.29 | 3.99 | 15.42 | 3.87 | 4.18 | 14.59 | 3.49 | 4.38 | 13.76 | 3.14 | | | |
| | 27°C | 3.22 | 19.48 | 6.05 | 3.33 | 18.90 | 5.67 | 3.44 | 17.91 | 5.20 | 3.60 | 17.05 | 4.73 | 3.79 | 16.22 | 4.28 | 3.98 | 15.38 | 3.86 | 4.18 | 14.55 | 3.48 | 4.38 | 13.72 | 3.13 | | | |
| | 26°C | 3.22 | 19.43 | 6.04 | 3.33 | 18.85 | 5.66 | 3.44 | 17.87 | 5.19 | 3.60 | 17.01 | 4.72 | 3.79 | 16.18 | 4.27 | 3.98 | 15.34 | 3.85 | 4.18 | 14.51 | 3.47 | 4.37 | 13.68 | 3.13 | | | |
| | 25°C | 3.22 | 19.38 | 6.03 | 3.33 | 18.80 | 5.65 | 3.44 | 17.83 | 5.18 | 3.60 | 16.97 | 4.71 | 3.78 | 16.13 | 4.26 | 3.98 | 15.30 | 3.85 | 4.18 | 14.47 | 3.47 | 4.37 | 13.64 | 3.12 | | | |
| | 24°C | 3.21 | 19.34 | 6.01 | 3.33 | 18.76 | 5.64 | 3.44 | 17.78 | 5.17 | 3.60 | 16.92 | 4.71 | 3.78 | 16.09 | 4.26 | 3.98 | 15.26 | 3.84 | 4.17 | 14.43 | 3.46 | 4.37 | 13.60 | 3.11 | | | |
| | 23°C | 3.21 | 19.29 | 6.00 | 3.32 | 18.71 | 5.63 | 3.44 | 17.74 | 5.16 | 3.59 | 16.88 | 4.70 | 3.78 | 16.05 | 4.25 | 3.97 | 15.22 | 3.83 | 4.17 | 14.39 | 3.45 | 4.37 | 13.57 | 3.11 | | | |
| | 22°C | 3.21 | 19.24 | 5.99 | 3.32 | 18.66 | 5.62 | 3.43 | 17.69 | 5.15 | 3.59 | 16.84 | 4.69 | 3.78 | 16.01 | 4.24 | 3.97 | 15.18 | 3.82 | 4.17 | 14.36 | 3.44 | 4.36 | 13.53 | 3.10 | | | |
| | 21°C | 3.21 | 19.19 | 5.98 | 3.32 | 18.62 | 5.61 | 3.43 | 17.65 | 5.14 | 3.59 | 16.79 | 4.68 | 3.77 | 15.97 | 4.23 | 3.97 | 15.14 | 3.81 | 4.17 | 14.32 | 3.44 | 4.36 | 13.49 | 3.09 | | | |
| | 20°C | 3.21 | 19.14 | 5.97 | 3.32 | 18.57 | 5.60 | 3.43 | 17.61 | 5.13 | 3.59 | 16.75 | 4.67 | 3.77 | 15.93 | 4.22 | 3.97 | 15.10 | 3.81 | 4.16 | 14.28 | 3.43 | 4.36 | 13.45 | 3.09 | | | |
| | 19°C | 3.23 | 19.10 | 5.91 | 3.34 | 18.53 | 5.54 | 3.46 | 17.56 | 5.08 | 3.63 | 16.71 | 4.61 | 3.82 | 15.89 | 4.16 | 4.01 | 15.06 | 3.75 | 4.21 | 14.24 | 3.38 | 4.40 | 13.42 | 3.05 | | | |
| | 18°C | 3.25 | 19.05 | 5.86 | 3.37 | 18.48 | 5.48 | 3.49 | 17.52 | 5.03 | 3.67 | 16.67 | 4.55 | 3.86 | 15.85 | 4.10 | 4.06 | 15.02 | 3.70 | 4.25 | 14.20 | 3.34 | 4.45 | 13.38 | 3.01 | | | |
| | 17°C | 3.28 | 19.00 | 5.80 | 3.40 | 18.43 | 5.42 | 3.51 | 17.48 | 4.97 | 3.70 | 16.63 | 4.49 | 3.91 | 15.81 | 4.05 | 4.10 | 14.98 | 3.65 | 4.30 | 14.16 | 3.29 | 4.50 | 13.34 | 2.97 | | | |
| | 16°C | 3.30 | 18.96 | 5.75 | 3.43 | 18.39 | 5.36 | 3.54 | 17.43 | 4.92 | 3.74 | 16.59 | 4.43 | 3.95 | 15.77 | 3.99 | 4.15 | 14.95 | 3.60 | 4.34 | 14.13 | 3.25 | 4.54 | 13.31 | 2.93 | | | |
| | 15°C | 3.32 | 18.91 | 5.69 | 3.46 | 18.34 | 5.31 | 3.57 | 17.39 | 4.87 | 3.78 | 16.54 | 4.37 | 4.00 | 15.72 | 3.93 | 4.19 | 14.91 | 3.55 | 4.39 | 14.09 | 3.21 | 4.59 | 13.27 | 2.89 | | | |
| | 14°C | 3.34 | 18.86 | 5.64 | 3.48 | 18.30 | 5.25 | 3.60 | 17.35 | 4.82 | 3.82 | 16.50 | 4.32 | 4.04 | 15.68 | 3.88 | 4.24 | 14.87 | 3.51 | 4.44 | 14.05 | 3.17 | 4.63 | 13.23 | 2.86 | | | |
| | 13°C | 3.37 | 18.82 | 5.59 | 3.51 | 18.25 | 5.20 | 3.63 | 17.30 | 4.77 | 3.86 | 16.46 | 4.26 | 4.09 | 15.64 | 3.83 | 4.28 | 14.83 | 3.46 | 4.48 | 14.01 | 3.13 | 4.68 | 13.20 | 2.82 | | | |
| | 12°C | 3.39 | 18.77 | 5.54 | 3.54 | 18.21 | 5.15 | 3.65 | 17.26 | 4.72 | 3.90 | 16.42 | 4.21 | 4.13 | 15.60 | 3.78 | 4.33 | 14.79 | 3.42 | 4.53 | 13.97 | 3.09 | 4.73 | 13.16 | 2.78 | | | |
| | 11°C | 3.41 | 18.43 | 5.40 | 3.56 | 17.95 | 5.05 | 3.68 | 17.05 | 4.63 | 3.94 | 16.21 | 4.11 | 4.18 | 15.39 | 3.68 | 4.38 | 14.58 | 3.33 | 4.57 | 13.76 | 3.01 | 4.77 | 12.95 | 2.71 | | | |
| | 10°C | 3.44 | 18.09 | 5.26 | 3.58 | 17.69 | 4.95 | 3.70 | 16.83 | 4.55 | 3.98 | 15.99 | 4.02 | 4.22 | 15.18 | 3.59 | 4.42 | 14.37 | 3.25 | 4.62 | 13.56 | 2.93 | 4.82 | 12.74 | 2.64 | | | |
| 9°C | 3.46 | 17.74 | 5.13 | 3.59 | 17.44 | 4.85 | 3.73 | 16.62 | 4.46 | 4.02 | 15.78 | 3.93 | 4.27 | 14.97 | 3.51 | 4.47 | 14.16 | 3.17 | 4.67 | 13.35 | 2.86 | 4.87 | 12.54 | 2.58 | | | | |
| 8°C | 3.48 | 17.40 | 5.00 | 3.61 | 17.18 | 4.76 | 3.75 | 16.41 | 4.37 | 4.06 | 15.57 | 3.84 | 4.32 | 14.76 | 3.42 | 4.51 | 13.95 | 3.09 | 4.71 | 13.14 | 2.79 | 4.91 | 12.33 | 2.51 | | | | |
| 7°C | 3.51 | 17.07 | 4.87 | 3.63 | 16.93 | 4.66 | 3.78 | 16.12 | 4.27 | 4.04 | 15.31 | 3.79 | 4.35 | 14.50 | 3.34 | 4.55 | 13.69 | 3.01 | 4.76 | 12.88 | 2.71 | 4.97 | 12.07 | 2.43 | | | | |
| 6°C | 3.75 | 17.23 | 4.60 | 3.91 | 16.90 | 4.33 | 4.11 | 16.05 | 3.90 | 4.40 | 15.20 | 3.45 | 4.71 | 14.35 | 3.05 | 4.94 | 13.50 | 2.73 | 5.17 | 12.65 | 2.45 | 5.41 | 11.81 | 2.18 | | | | |
| 5°C | 3.81 | 16.67 | 4.37 | 4.00 | 16.19 | 4.05 | 4.24 | 15.34 | 3.61 | 4.53 | 14.49 | 3.20 | 4.82 | 13.63 | 2.83 | 5.07 | 12.78 | 2.52 | 5.32 | 11.93 | 2.24 | 5.57 | 11.08 | 1.99 | | | | |
| 4°C | 3.82 | 15.96 | 4.18 | 4.02 | 15.35 | 3.82 | 4.28 | 14.51 | 3.39 | 4.56 | 13.67 | 3.00 | 4.83 | 12.83 | 2.66 | 5.08 | 11.99 | 2.36 | 5.34 | 11.15 | 2.09 | 5.60 | 10.31 | 1.84 | | | | |
| 3°C | 3.93 | 15.80 | 4.02 | 4.15 | 15.08 | 3.63 | 4.43 | 14.23 | 3.21 | 4.70 | 13.38 | 2.85 | 4.97 | 12.53 | 2.52 | 5.23 | 11.67 | 2.23 | 5.50 | 10.82 | 1.97 | 5.77 | 9.97 | 1.73 | | | | |
| 2°C | 4.12 | 15.73 | 3.82 | 4.35 | 14.85 | 3.42 | 4.64 | 13.98 | 3.01 | 4.92 | 13.10 | 2.66 | 5.19 | 12.22 | 2.36 | 5.47 | 11.34 | 2.07 | 5.75 | 10.47 | 1.82 | 6.03 | 9.59 | 1.59 | | | | |
| 1°C | 4.12 | 15.62 | 3.79 | 4.35 | 14.80 | 3.40 | 4.64 | 13.99 | 3.01 | 4.92 | 13.17 | 2.68 | 5.19 | 12.36 | 2.38 | 5.48 | 11.55 | 2.11 | 5.76 | 10.73 | 1.86 | 6.03 | 9.92 | 1.64 | | | | |
| 0°C | 4.12 | 15.50 | 3.77 | 4.35 | 14.75 | 3.39 | 4.65 | 14.00 | 3.01 | 4.93 | 13.25 | 2.69 | 5.21 | 12.50 | 2.40 | 5.49 | 11.75 | 2.14 | 5.77 | 11.00 | 1.91 | 6.05 | 10.24 | 1.60 | | | | |
| -1°C | 4.12 | 15.39 | 3.74 | 4.36 | 14.70 | 3.37 | 4.66 | 14.01 | 3.01 | 4.95 | 13.32 | 2.69 | 5.23 | 12.64 | 2.42 | 5.52 | 11.95 | 2.17 | 5.79 | 11.26 | 1.94 | 6.07 | 10.57 | 1.74 | | | | |
| -2°C | 4.12 | 15.28 | 3.71 | 4.38 | 14.65 | 3.35 | 4.68 | 14.03 | 3.00 | 4.97 | 13.40 | 2.70 | 5.26 | 12.77 | 2.43 | 5.55 | 12.15 | 2.19 | 5.83 | 11.52 | 1.98 | 6.10 | 10.90 | 1.79 | | | | |
| -3°C | 4.13 | 15.16 | 3.67 | 4.39 | 14.60 | 3.32 | 4.70 | 14.04 | 2.99 | 5.00 | 13.48 | 2.69 | 5.30 | 12.91 | 2.44 | 5.60 | 12.35 | 2.21 | 5.87 | 11.79 | 2.01 | 6.13 | 11.23 | 1.83 | | | | |
| -4°C | 4.13 | 15.05 | 3.64 | 4.41 | 14.55 | 3.30 | 4.73 | 14.05 | 2.97 | 5.04 | 13.55 | 2.69 | 5.34 | 13.05 | 2.44 | 5.65 | 12.55 | 2.22 | 5.93 | 12.05 | 2.03 | 6.18 | 11.55 | 1.87 | | | | |
| -5°C | 4.14 | 14.93 | 3.61 | 4.44 | 14.50 | 3.27 | 4.76 | 14.06 | 2.95 | 5.08 | 13.63 | 2.68 | 5.40 | 13.19 | 2.44 | 5.72 | 12.75 | 2.23 | 5.99 | 12.32 | 2.06 | 6.23 | 11.88 | 1.91 | | | | |
| -6°C | 4.14 | 14.82 | 3.58 | 4.47 | 14.45 | 3.24 | 4.80 | 14.07 | 2.93 | 5.13 | 13.70 | 2.67 | 5.46 | 13.33 | 2.44 | 5.79 | 12.95 | 2.24 | 6.06 | 12.58 | 2.08 | 6.29 | 12.21 | 1.94 | | | | |
| -7°C | 4.15 | 14.71 | 3.54 | 4.50 | 14.40 | 3.20 | 4.84 | 14.09 | 2.91 | 5.19 | 13.78 | 2.66 | 5.53 | 13.47 | 2.43 | 5.88 | 13.16 | 2.24 | 6.14 | 12.85 | 2.09 | 6.36 | 12.54 | 1.97 | | | | |
| -8°C | 4.18 | 14.53 | 3.47 | 4.53 | 14.17 | 3.13 | 4.88 | 13.81 | 2.83 | 5.22 | 13.50 | 2.58 | 5.57 | 13.20 | 2.37 | 5.92 | 12.89 | 2.18 | 6.19 | 12.58 | 2.03 | 6.40 | 12.28 | 1.92 | | | | |
| -9°C | 4.21 | 14.36 | 3.41 | 4.56 | 13.95 | 3.06 | 4.91 | 13.53 | 2.76 | 5.26 | 13.23 | 2.51 | 5.61 | 12.93 | 2.30 | 5.96 | 12.62 | 2.12 | 6.23 | 12.32 | 1.98 | 6.44 | 12.01 | 1.87 | | | | |
| -10°C | 4.24 | 14.18 | 3.34 | 4.59 | 13.72 | 2.99 | 4.95 | 13.26 | 2.68 | 5.30 | 12.96 | 2.45 | 5.65 | 12.66 | 2.24 | 6.00 | 12.36 | 2.06 | 6.27 | 12.05 | 1.92 | 6.48 | 11.75 | 1.81 | | | | |
| -11°C | 4.26 | 13.77 | 3.23 | 4.62 | 13.36 | 2.89 | 4.97 | 12.95 | 2.60 | 5.33 | 12.68 | 2.38 | 5.68 | 12.41 | 2.19 | 6.03 | 12.13 | 2.01 | 6.30 | 11.85 | 1.88 | 6.52 | 11.57 | 1.78 | | | | |
| -12°C | 4.28 | 13.33 | 3.11 | 4.64 | 12.98 | 2.80 | 5.00 | 12.61 | 2.52 | 5.35 | 12.38 | 2.31 | 5.71 | 12.14 | 2.13 | 6.06 | 11.88 | 1.96 | 6.33 | 11.62 | 1.83 | 6.55 | 11.36 | 1.73 | | | | |
| -13°C | 4.31 | 12.88 | 2.99 | 4.66 | 12.58 | 2.70 | 5.02 | 12.25 | 2.44 | 5.38 | 12.05 | 2.24 | 5.74 | 11.83 | 2.06 | 6.09 | 11.60 | 1.90 | 6.37 | 11.36 | 1.78 | 6.58 | 11.11 | 1.69 | | | | |
| -14°C | 4.33 | 12.41 | 2.87 | 4.69 | 12.16 | 2.59 | 5.05 | 11.87 | 2.35 | 5.41 | 11.7 | | | | | | | | | | | | | | | | | |

▼ Alféa Excellia HP A.I. Tri 17 and alféa Excellia HP Duo A.I. Tri 17

Test conditions comply with EN 14825 whitout electrical backup

| | | Starting temperature | | | | | | | | | | | | | | | | | | | | | | | |
|---------------------|------|----------------------|-------|------|-------|-------|------|-------|-------|------|-------|-------|------|-------|-------|------|-------|-------|------|-------|-------|------|-------|-------|------|
| | | 25°C | | | 30°C | | | 35°C | | | 40°C | | | 45°C | | | 50°C | | | 55°C | | | 60°C | | |
| | | IP | HC | COP | IP | HC | COP | IP | HC | COP | IP | HC | COP | IP | HC | COP | IP | HC | COP | IP | HC | COP | IP | HC | COP |
| Outdoor temperature | 35°C | 3.73 | 22.19 | 5.95 | 3.74 | 21.47 | 5.73 | 3.88 | 20.55 | 5.30 | 4.06 | 19.75 | 4.86 | 4.28 | 18.99 | 4.44 | 4.51 | 18.23 | 4.04 | 4.75 | 17.46 | 3.68 | 4.98 | 16.70 | 3.35 |
| | 34°C | 3.73 | 22.13 | 5.93 | 3.74 | 21.41 | 5.72 | 3.87 | 20.49 | 5.29 | 4.06 | 19.70 | 4.85 | 4.28 | 18.94 | 4.43 | 4.51 | 18.18 | 4.03 | 4.75 | 17.42 | 3.67 | 4.98 | 16.66 | 3.35 |
| | 33°C | 3.73 | 22.07 | 5.92 | 3.74 | 21.36 | 5.71 | 3.87 | 20.44 | 5.28 | 4.06 | 19.65 | 4.84 | 4.28 | 18.89 | 4.42 | 4.51 | 18.13 | 4.02 | 4.74 | 17.37 | 3.66 | 4.98 | 16.61 | 3.34 |
| | 32°C | 3.73 | 22.02 | 5.91 | 3.74 | 21.30 | 5.70 | 3.87 | 20.39 | 5.27 | 4.06 | 19.60 | 4.83 | 4.27 | 18.84 | 4.41 | 4.51 | 18.08 | 4.01 | 4.74 | 17.32 | 3.65 | 4.97 | 16.56 | 3.33 |
| | 31°C | 3.72 | 21.96 | 5.90 | 3.74 | 21.25 | 5.69 | 3.87 | 20.34 | 5.26 | 4.05 | 19.55 | 4.82 | 4.27 | 18.79 | 4.40 | 4.50 | 18.03 | 4.00 | 4.74 | 17.27 | 3.65 | 4.97 | 16.52 | 3.32 |
| | 30°C | 3.72 | 21.90 | 5.89 | 3.73 | 21.19 | 5.67 | 3.87 | 20.28 | 5.25 | 4.05 | 19.50 | 4.81 | 4.27 | 18.74 | 4.39 | 4.50 | 17.98 | 3.99 | 4.74 | 17.23 | 3.64 | 4.97 | 16.47 | 3.32 |
| | 29°C | 3.72 | 21.85 | 5.87 | 3.73 | 21.14 | 5.66 | 3.86 | 20.23 | 5.24 | 4.05 | 19.45 | 4.80 | 4.27 | 18.69 | 4.38 | 4.50 | 17.93 | 3.99 | 4.73 | 17.18 | 3.63 | 4.96 | 16.42 | 3.31 |
| | 28°C | 3.72 | 21.79 | 5.86 | 3.73 | 21.08 | 5.65 | 3.86 | 20.18 | 5.23 | 4.05 | 19.40 | 4.79 | 4.27 | 18.64 | 4.37 | 4.50 | 17.89 | 3.98 | 4.73 | 17.13 | 3.62 | 4.96 | 16.38 | 3.30 |
| | 27°C | 3.72 | 21.74 | 5.85 | 3.73 | 21.03 | 5.64 | 3.86 | 20.13 | 5.21 | 4.04 | 19.34 | 4.78 | 4.26 | 18.59 | 4.36 | 4.50 | 17.84 | 3.97 | 4.73 | 17.09 | 3.61 | 4.96 | 16.33 | 3.29 |
| | 26°C | 3.71 | 21.68 | 5.84 | 3.73 | 20.97 | 5.63 | 3.86 | 20.08 | 5.20 | 4.04 | 19.29 | 4.77 | 4.26 | 18.54 | 4.35 | 4.49 | 17.79 | 3.96 | 4.73 | 17.04 | 3.61 | 4.96 | 16.29 | 3.29 |
| | 25°C | 3.71 | 21.62 | 5.83 | 3.73 | 20.92 | 5.62 | 3.86 | 20.02 | 5.19 | 4.04 | 19.24 | 4.76 | 4.26 | 18.49 | 4.34 | 4.49 | 17.74 | 3.95 | 4.72 | 16.99 | 3.60 | 4.95 | 16.24 | 3.28 |
| | 24°C | 3.71 | 21.57 | 5.81 | 3.72 | 20.87 | 5.60 | 3.85 | 19.97 | 5.18 | 4.04 | 19.19 | 4.75 | 4.26 | 18.45 | 4.33 | 4.49 | 17.70 | 3.94 | 4.72 | 16.95 | 3.59 | 4.95 | 16.20 | 3.27 |
| | 23°C | 3.71 | 21.51 | 5.80 | 3.72 | 20.81 | 5.59 | 3.85 | 19.92 | 5.17 | 4.04 | 19.15 | 4.74 | 4.25 | 18.40 | 4.32 | 4.49 | 17.65 | 3.93 | 4.72 | 16.90 | 3.58 | 4.95 | 16.15 | 3.26 |
| | 22°C | 3.71 | 21.46 | 5.79 | 3.72 | 20.76 | 5.58 | 3.85 | 19.87 | 5.16 | 4.03 | 19.10 | 4.73 | 4.25 | 18.35 | 4.31 | 4.48 | 17.60 | 3.93 | 4.72 | 16.85 | 3.57 | 4.95 | 16.11 | 3.26 |
| | 21°C | 3.70 | 21.40 | 5.78 | 3.72 | 20.71 | 5.57 | 3.85 | 19.82 | 5.15 | 4.03 | 19.05 | 4.72 | 4.25 | 18.30 | 4.31 | 4.48 | 17.55 | 3.92 | 4.71 | 16.81 | 3.57 | 4.94 | 16.06 | 3.25 |
| | 20°C | 3.70 | 21.35 | 5.77 | 3.72 | 20.65 | 5.56 | 3.85 | 19.77 | 5.14 | 4.03 | 19.00 | 4.71 | 4.25 | 18.25 | 4.30 | 4.48 | 17.51 | 3.91 | 4.71 | 16.76 | 3.56 | 4.94 | 16.02 | 3.24 |
| | 19°C | 3.73 | 21.30 | 5.71 | 3.75 | 20.60 | 5.50 | 3.88 | 19.72 | 5.09 | 4.08 | 18.95 | 4.65 | 4.30 | 18.20 | 4.23 | 4.53 | 17.46 | 3.85 | 4.76 | 16.72 | 3.51 | 5.00 | 15.97 | 3.20 |
| | 18°C | 3.76 | 21.24 | 5.65 | 3.78 | 20.55 | 5.44 | 3.91 | 19.67 | 5.03 | 4.12 | 18.90 | 4.59 | 4.35 | 18.16 | 4.17 | 4.59 | 17.41 | 3.80 | 4.82 | 16.67 | 3.46 | 5.05 | 15.93 | 3.15 |
| | 17°C | 3.79 | 21.19 | 5.59 | 3.81 | 20.50 | 5.38 | 3.94 | 19.62 | 4.98 | 4.17 | 18.85 | 4.52 | 4.41 | 18.11 | 4.11 | 4.64 | 17.37 | 3.74 | 4.87 | 16.63 | 3.41 | 5.10 | 15.88 | 3.11 |
| | 16°C | 3.82 | 21.13 | 5.53 | 3.84 | 20.44 | 5.32 | 3.97 | 19.57 | 4.92 | 4.21 | 18.80 | 4.46 | 4.46 | 18.06 | 4.05 | 4.69 | 17.32 | 3.69 | 4.93 | 16.58 | 3.37 | 5.16 | 15.84 | 3.07 |
| | 15°C | 3.85 | 21.08 | 5.48 | 3.87 | 20.39 | 5.26 | 4.01 | 19.52 | 4.87 | 4.26 | 18.75 | 4.40 | 4.51 | 18.01 | 3.99 | 4.75 | 17.28 | 3.64 | 4.98 | 16.54 | 3.32 | 5.21 | 15.80 | 3.03 |
| | 14°C | 3.88 | 21.03 | 5.42 | 3.91 | 20.34 | 5.21 | 4.04 | 19.47 | 4.82 | 4.31 | 18.71 | 4.34 | 4.57 | 17.97 | 3.93 | 4.80 | 17.23 | 3.59 | 5.03 | 16.49 | 3.28 | 5.27 | 15.75 | 2.99 |
| | 13°C | 3.91 | 20.97 | 5.37 | 3.94 | 20.29 | 5.15 | 4.07 | 19.42 | 4.77 | 4.35 | 18.66 | 4.29 | 4.62 | 17.92 | 3.88 | 4.85 | 17.18 | 3.54 | 5.09 | 16.45 | 3.23 | 5.32 | 15.71 | 2.95 |
| | 12°C | 3.94 | 20.92 | 5.32 | 3.97 | 20.24 | 5.10 | 4.10 | 19.37 | 4.72 | 4.40 | 18.61 | 4.23 | 4.67 | 17.87 | 3.82 | 4.91 | 17.14 | 3.49 | 5.14 | 16.40 | 3.19 | 5.38 | 15.67 | 2.91 |
| | 11°C | 3.97 | 20.85 | 5.18 | 4.02 | 19.99 | 4.98 | 4.14 | 19.17 | 4.63 | 4.45 | 18.41 | 4.14 | 4.73 | 17.67 | 3.74 | 4.96 | 16.94 | 3.41 | 5.20 | 16.20 | 3.12 | 5.43 | 15.47 | 2.85 |
| | 10°C | 4.00 | 20.18 | 5.05 | 4.06 | 19.75 | 4.87 | 4.18 | 18.97 | 4.54 | 4.49 | 18.21 | 4.05 | 4.78 | 17.47 | 3.65 | 5.02 | 16.74 | 3.34 | 5.25 | 16.01 | 3.05 | 5.49 | 15.27 | 2.78 |
| 9°C | 4.03 | 19.81 | 4.92 | 4.10 | 19.50 | 4.75 | 4.21 | 18.77 | 4.45 | 4.54 | 18.01 | 3.96 | 4.84 | 17.28 | 3.57 | 5.07 | 16.54 | 3.26 | 5.31 | 15.81 | 2.98 | 5.54 | 15.08 | 2.72 | |
| 8°C | 4.05 | 19.44 | 4.79 | 4.15 | 19.26 | 4.64 | 4.25 | 18.57 | 4.37 | 4.59 | 17.81 | 3.88 | 4.89 | 17.08 | 3.49 | 5.13 | 16.35 | 3.19 | 5.36 | 15.61 | 2.91 | 5.60 | 14.88 | 2.66 | |
| 7°C | 4.08 | 19.07 | 4.67 | 4.19 | 19.02 | 4.54 | 4.29 | 18.29 | 4.26 | 4.57 | 17.56 | 3.84 | 4.94 | 16.83 | 3.41 | 5.18 | 16.10 | 3.11 | 5.42 | 15.37 | 2.84 | 5.64 | 14.64 | 2.60 | |
| 6°C | 4.30 | 19.07 | 4.44 | 4.46 | 18.77 | 4.21 | 4.65 | 17.95 | 3.86 | 4.98 | 17.13 | 3.44 | 5.35 | 16.31 | 3.05 | 5.61 | 15.50 | 2.76 | 5.87 | 14.68 | 2.50 | 6.07 | 13.86 | 2.28 | |
| 5°C | 4.37 | 18.57 | 4.25 | 4.57 | 18.06 | 3.95 | 4.82 | 17.18 | 3.56 | 5.16 | 16.30 | 3.16 | 5.52 | 15.43 | 2.80 | 5.78 | 14.55 | 2.52 | 6.05 | 13.67 | 2.26 | 6.24 | 12.80 | 2.05 | |
| 4°C | 4.43 | 18.07 | 4.08 | 4.65 | 17.38 | 3.73 | 4.92 | 16.46 | 3.35 | 5.23 | 15.54 | 2.97 | 5.55 | 14.62 | 2.63 | 5.82 | 13.70 | 2.35 | 6.09 | 12.78 | 2.10 | 6.26 | 11.86 | 1.89 | |
| 3°C | 4.62 | 18.21 | 3.94 | 4.87 | 17.36 | 3.56 | 5.14 | 16.38 | 3.19 | 5.44 | 15.39 | 2.83 | 5.74 | 14.41 | 2.51 | 6.02 | 13.42 | 2.23 | 6.30 | 12.44 | 1.97 | 6.46 | 11.45 | 1.77 | |
| 2°C | 4.87 | 18.40 | 3.78 | 5.14 | 17.32 | 3.37 | 5.42 | 16.25 | 3.00 | 5.71 | 15.18 | 2.66 | 6.02 | 14.10 | 2.34 | 6.31 | 13.03 | 2.06 | 6.61 | 11.96 | 1.81 | 6.77 | 10.89 | 1.61 | |
| 1°C | 4.87 | 18.26 | 3.75 | 5.14 | 17.26 | 3.36 | 5.42 | 16.26 | 3.00 | 5.72 | 15.26 | 2.67 | 6.03 | 14.26 | 2.37 | 6.32 | 13.26 | 2.10 | 6.61 | 12.26 | 1.85 | 6.78 | 11.26 | 1.66 | |
| 0°C | 4.87 | 18.13 | 3.72 | 5.15 | 17.20 | 3.34 | 5.43 | 16.27 | 3.00 | 5.73 | 15.34 | 2.68 | 6.04 | 14.42 | 2.39 | 6.34 | 13.49 | 2.13 | 6.62 | 12.56 | 1.90 | 6.78 | 11.63 | 1.71 | |
| -1°C | 4.88 | 18.00 | 3.69 | 5.16 | 17.14 | 3.32 | 5.45 | 16.29 | 2.99 | 5.75 | 15.43 | 2.68 | 6.07 | 14.57 | 2.40 | 6.37 | 13.71 | 2.15 | 6.65 | 12.85 | 1.93 | 6.80 | 12.00 | 1.76 | |
| -2°C | 4.88 | 17.87 | 3.66 | 5.17 | 17.09 | 3.30 | 5.47 | 16.30 | 2.98 | 5.78 | 15.51 | 2.68 | 6.10 | 14.73 | 2.41 | 6.41 | 13.94 | 2.18 | 6.68 | 13.15 | 1.97 | 6.82 | 12.37 | 1.81 | |
| -3°C | 4.89 | 17.74 | 3.63 | 5.19 | 17.03 | 3.28 | 5.50 | 16.31 | 2.97 | 5.82 | 15.60 | 2.68 | 6.14 | 14.88 | 2.42 | 6.46 | 14.17 | 2.19 | 6.72 | 13.45 | 2.00 | 6.84 | 12.73 | 1.86 | |
| -4°C | 4.90 | 17.61 | 3.59 | 5.21 | 16.97 | 3.25 | 5.53 | 16.32 | 2.95 | 5.86 | 15.68 | 2.68 | 6.20 | 15.04 | 2.43 | 6.52 | 14.39 | 2.21 | 6.76 | 13.75 | 2.03 | 6.87 | 13.10 | 1.91 | |
| -5°C | 4.91 | 17.48 | 3.56 | 5.24 | 16.91 | 3.23 | 5.57 | 16.34 | 2.93 | 5.91 | 15.76 | 2.67 | 6.26 | 15.19 | 2.43 | 6.60 | 14.62 | 2.22 | 6.82 | 14.05 | 2.06 | 6.91 | 13.47 | 1.95 | |
| -6°C | 4.92 | 17.35 | 3.52 | 5.27 | 16.85 | 3.20 | 5.62 | 16.35 | 2.91 | 5.98 | 15.85 | 2.65 | 6.33 | 15.35 | 2.42 | 6.69 | 14.85 | 2.22 | 6.88 | 14.34 | 2.08 | 6.95 | 13.84 | 1.99 | |
| -7°C | 4.94 | 17.22 | 3.49 | 5.31 | 16.79 | 3.16 | 5.68 | 16.36 | 2.88 | 6.05 | 15.93 | 2.64 | 6.42 | 15.50 | 2.42 | 6.79 | 15.07 | 2.22 | 6.96 | 14.64 | 2.10 | 6.99 | 14.21 | 2.03 | |
| -8°C | 4.88 | 16.92 | 3.47 | 5.26 | 16.39 | 3.11 | 5.65 | 15.86 | 2.81 | 6.03 | 15.45 | 2.56 | 6.41 | 15.03 | 2.35 | 6.79 | 14.62 | 2.15 | 6.96 | 14.20 | 2.04 | 7.00 | 13.79 | 1.97 | |
| -9°C | 4.83 | 16.63 | 3.44 | 5.22 | 16.00 | 3.06 | 5.62 | 15.37 | 2.74 | 6.01 | 14.97 | 2.49 | 6.40 | 14.56 | 2.28 | 6.79 | 14.16 | 2.09 | 6.97 | 13.76 | 1.97 | 7.01 | 13.36 | 1.91 | |
| -10°C | 4.78 | 16.33 | 3.42 | 5.18 | 15.60 | 3.01 | 5.59 | 14.87 | 2.66 | 5.99 | 14.48 | 2.42 | 6.39 | 14.10 | 2.21 | 6.79 | 13.71 | 2.02 | 6.98 | 13.32 | 1.91 | 7.02 | 12.94 | 1.84 | |
| -11°C | 4.80 | 15.85 | 3.30 | 5.21 | 15.20 | 2.92 | 5.61 | 14.52 | 2.59 | 6.02 | 14.18 | 2.36 | 6.42 | 13.82 | 2.15 | 6.83 | 13.46 | 1.97 | 7.01 | 13.10 | 1.87 | 7.05 | 12.73 | 1.81 | |
| -12°C | 4.83 | 15.35 | 3.18 | 5.23 | 14.76 | 2.82 | 5.64 | 14.15 | 2.51 | 6.05 | 13.84 | 2.29 | 6.46 | 13.52 | 2.09 | 6.86 | 13.18 | 1.92 | 7.05 | 12.84 | 1.82 | 7.09 | 12.50 | 1.76 | |
| -13°C | 4.85 | 14.83 | 3.06 | 5.26 | 14.31 | 2.72 | 5.67 | 13.74 | 2.42 | 6.08 | 13.47 | 2.22 | 6.49 | 13.18 | 2.03 | 6.90 | 12.87 | 1.87 | 7.08 | 12.56 | 1.77 | 7.12 | 12.23 | 1.72 | |
| -14°C | 4.88 | 14.29 | 2.93 | 5.29 | 13.83 | 2.62 | 5.70 | 13.31 | 2.34 | 6.11 | 13.07 | 2.14 | 6.52 | 12.81 | 1.96 | 6.93 | 12.53 | 1.81 | 7.12 | 12.24 | 1.72 | 7.16 | 11.93 | 1.67 | |
| -15°C | 4.90 | 13.73 | 2.80 | 5.31 | 13.33 | 2.51 | | | | | | | | | | | | | | | | | | | |

► Performances tables in heating mode including progressively electrical back-up

▼ Alféa Excellia HP A.I. 16 and alféa Excellia HP Duo A.I. 16

Test conditions comply with EN 14825 with 6 kW electrical backup

| | | Starting temperature | | | | | | | | | | | | | | | | | | | | | | | |
|---------------------|-------|----------------------|-------|-------|-------|-------|-------|-------|-------|-------|-------|-------|-------|-------|-------|-------|-------|-------|-------|-------|-------|-------|-------|-------|------|
| | | 25°C | | | 30°C | | | 35°C | | | 40°C | | | 45°C | | | 50°C | | | 55°C | | | 60°C | | |
| | | IP | HC | COP | IP | HC | COP | IP | HC | COP | IP | HC | COP | IP | HC | COP | IP | HC | COP | IP | HC | COP | IP | HC | COP |
| Outdoor temperature | 35°C | 3.50 | 21.26 | 6.07 | 3.62 | 20.58 | 5.68 | 3.75 | 19.58 | 5.23 | 3.92 | 18.72 | 4.78 | 4.12 | 17.90 | 4.34 | 4.33 | 17.08 | 3.94 | 4.55 | 16.25 | 3.57 | 4.76 | 15.43 | 3.24 |
| | 34°C | 3.50 | 21.20 | 6.05 | 3.62 | 20.52 | 5.67 | 3.75 | 19.53 | 5.21 | 3.92 | 18.67 | 4.77 | 4.12 | 17.85 | 4.33 | 4.33 | 17.03 | 3.93 | 4.55 | 16.20 | 3.56 | 4.76 | 15.38 | 3.23 |
| | 33°C | 3.50 | 21.14 | 6.04 | 3.62 | 20.47 | 5.65 | 3.74 | 19.48 | 5.20 | 3.92 | 18.62 | 4.76 | 4.12 | 17.80 | 4.32 | 4.33 | 16.98 | 3.92 | 4.54 | 16.16 | 3.56 | 4.76 | 15.34 | 3.22 |
| | 32°C | 3.50 | 21.08 | 6.03 | 3.62 | 20.41 | 5.64 | 3.74 | 19.42 | 5.19 | 3.91 | 18.57 | 4.74 | 4.12 | 17.75 | 4.31 | 4.33 | 16.93 | 3.91 | 4.54 | 16.11 | 3.55 | 4.76 | 15.29 | 3.22 |
| | 31°C | 3.50 | 21.03 | 6.01 | 3.62 | 20.36 | 5.63 | 3.74 | 19.37 | 5.18 | 3.91 | 18.52 | 4.73 | 4.11 | 17.70 | 4.30 | 4.33 | 16.88 | 3.90 | 4.54 | 16.06 | 3.54 | 4.75 | 15.25 | 3.21 |
| | 30°C | 3.50 | 20.97 | 6.00 | 3.62 | 20.30 | 5.61 | 3.74 | 19.32 | 5.17 | 3.91 | 18.47 | 4.72 | 4.11 | 17.65 | 4.29 | 4.33 | 16.83 | 3.89 | 4.54 | 16.02 | 3.53 | 4.75 | 15.20 | 3.20 |
| | 29°C | 3.49 | 20.91 | 5.98 | 3.61 | 20.25 | 5.60 | 3.74 | 19.27 | 5.15 | 3.91 | 18.42 | 4.71 | 4.11 | 17.60 | 4.28 | 4.32 | 16.79 | 3.88 | 4.54 | 15.97 | 3.52 | 4.75 | 15.16 | 3.19 |
| | 28°C | 3.49 | 20.86 | 5.97 | 3.61 | 20.19 | 5.59 | 3.74 | 19.21 | 5.14 | 3.91 | 18.37 | 4.70 | 4.11 | 17.55 | 4.27 | 4.32 | 16.74 | 3.87 | 4.53 | 15.92 | 3.51 | 4.75 | 15.11 | 3.18 |
| | 27°C | 3.49 | 20.80 | 5.96 | 3.61 | 20.14 | 5.58 | 3.73 | 19.16 | 5.13 | 3.91 | 18.32 | 4.69 | 4.11 | 17.50 | 4.26 | 4.32 | 16.69 | 3.86 | 4.53 | 15.88 | 3.50 | 4.75 | 15.07 | 3.17 |
| | 26°C | 3.49 | 20.74 | 5.94 | 3.61 | 20.09 | 5.56 | 3.73 | 19.11 | 5.12 | 3.90 | 18.27 | 4.68 | 4.11 | 17.46 | 4.25 | 4.32 | 16.64 | 3.85 | 4.53 | 15.83 | 3.49 | 4.74 | 15.02 | 3.17 |
| | 25°C | 3.49 | 20.69 | 5.93 | 3.61 | 20.03 | 5.55 | 3.73 | 19.06 | 5.11 | 3.90 | 18.22 | 4.67 | 4.10 | 17.41 | 4.24 | 4.32 | 16.60 | 3.85 | 4.53 | 15.79 | 3.49 | 4.74 | 14.98 | 3.16 |
| | 24°C | 3.49 | 20.63 | 5.92 | 3.61 | 19.98 | 5.54 | 3.73 | 19.01 | 5.10 | 3.90 | 18.17 | 4.66 | 4.10 | 17.36 | 4.23 | 4.31 | 16.55 | 3.84 | 4.53 | 15.74 | 3.48 | 4.74 | 14.93 | 3.15 |
| | 23°C | 3.49 | 20.58 | 5.90 | 3.61 | 19.92 | 5.53 | 3.73 | 18.96 | 5.08 | 3.90 | 18.12 | 4.65 | 4.10 | 17.31 | 4.22 | 4.31 | 16.50 | 3.83 | 4.53 | 15.70 | 3.47 | 4.74 | 14.89 | 3.14 |
| | 22°C | 3.48 | 20.52 | 5.89 | 3.60 | 19.87 | 5.51 | 3.73 | 18.91 | 5.07 | 3.90 | 18.07 | 4.64 | 4.10 | 17.26 | 4.21 | 4.31 | 16.46 | 3.82 | 4.52 | 15.65 | 3.46 | 4.74 | 14.85 | 3.13 |
| | 21°C | 3.48 | 20.47 | 5.88 | 3.60 | 19.82 | 5.50 | 3.73 | 18.86 | 5.06 | 3.90 | 18.02 | 4.63 | 4.10 | 17.22 | 4.20 | 4.31 | 16.41 | 3.81 | 4.52 | 15.61 | 3.45 | 4.73 | 14.80 | 3.13 |
| | 20°C | 3.48 | 20.41 | 5.86 | 3.60 | 19.77 | 5.49 | 3.72 | 18.81 | 5.05 | 3.89 | 17.97 | 4.61 | 4.10 | 17.17 | 4.19 | 4.31 | 16.37 | 3.80 | 4.52 | 15.56 | 3.44 | 4.73 | 14.76 | 3.12 |
| | 19°C | 3.51 | 20.36 | 5.81 | 3.63 | 19.71 | 5.43 | 3.75 | 18.76 | 5.00 | 3.94 | 17.92 | 4.55 | 4.14 | 17.12 | 4.13 | 4.36 | 16.32 | 3.75 | 4.57 | 15.52 | 3.40 | 4.78 | 14.72 | 3.08 |
| | 18°C | 3.53 | 20.31 | 5.75 | 3.66 | 19.66 | 5.37 | 3.79 | 18.71 | 4.94 | 3.98 | 17.88 | 4.49 | 4.19 | 17.07 | 4.07 | 4.41 | 16.27 | 3.69 | 4.62 | 15.47 | 3.35 | 4.83 | 14.67 | 3.04 |
| | 17°C | 3.56 | 20.25 | 5.69 | 3.69 | 19.61 | 5.31 | 3.82 | 18.66 | 4.89 | 4.02 | 17.83 | 4.43 | 4.24 | 17.03 | 4.01 | 4.46 | 16.23 | 3.64 | 4.67 | 15.43 | 3.30 | 4.88 | 14.63 | 3.00 |
| | 16°C | 3.58 | 20.20 | 5.64 | 3.72 | 19.56 | 5.25 | 3.85 | 18.61 | 4.84 | 4.07 | 17.78 | 4.37 | 4.29 | 16.98 | 3.96 | 4.51 | 16.18 | 3.59 | 4.72 | 15.39 | 3.26 | 4.93 | 14.59 | 2.96 |
| | 15°C | 3.61 | 20.14 | 5.58 | 3.75 | 19.50 | 5.19 | 3.88 | 18.56 | 4.79 | 4.11 | 17.73 | 4.31 | 4.34 | 16.93 | 3.90 | 4.56 | 16.14 | 3.54 | 4.77 | 15.34 | 3.22 | 4.98 | 14.54 | 2.92 |
| | 14°C | 3.63 | 20.09 | 5.53 | 3.79 | 19.45 | 5.14 | 3.91 | 18.51 | 4.73 | 4.15 | 17.68 | 4.26 | 4.39 | 16.89 | 3.85 | 4.61 | 16.09 | 3.49 | 4.82 | 15.30 | 3.17 | 5.04 | 14.50 | 2.88 |
| | 13°C | 3.66 | 20.04 | 5.47 | 3.82 | 19.40 | 5.08 | 3.94 | 18.46 | 4.68 | 4.20 | 17.64 | 4.20 | 4.44 | 16.84 | 3.79 | 4.66 | 16.05 | 3.45 | 4.87 | 15.25 | 3.13 | 5.09 | 14.46 | 2.84 |
| | 12°C | 3.69 | 19.98 | 5.42 | 3.85 | 19.35 | 5.03 | 3.97 | 18.41 | 4.64 | 4.24 | 17.59 | 4.15 | 4.49 | 16.80 | 3.74 | 4.71 | 16.00 | 3.40 | 4.92 | 15.21 | 3.09 | 5.14 | 14.42 | 2.81 |
| | 11°C | 3.92 | 19.82 | 5.05 | 4.08 | 19.29 | 4.73 | 4.21 | 18.40 | 4.37 | 4.49 | 17.58 | 3.91 | 4.75 | 16.79 | 3.53 | 4.97 | 16.00 | 3.22 | 5.18 | 15.21 | 2.93 | 5.40 | 14.42 | 2.67 |
| | 10°C | 4.13 | 19.63 | 4.76 | 4.28 | 19.21 | 4.49 | 4.42 | 18.37 | 4.16 | 4.72 | 17.55 | 3.72 | 4.98 | 16.76 | 3.36 | 5.20 | 15.97 | 3.07 | 5.41 | 15.18 | 2.80 | 5.63 | 14.39 | 2.56 |
| | 9°C | 4.36 | 19.47 | 4.46 | 4.51 | 19.15 | 4.25 | 4.65 | 18.36 | 3.94 | 4.97 | 17.54 | 3.53 | 5.24 | 16.75 | 3.19 | 5.46 | 15.96 | 2.92 | 5.68 | 15.18 | 2.67 | 5.89 | 14.39 | 2.44 |
| | 8°C | 4.57 | 19.28 | 4.22 | 4.71 | 19.07 | 4.05 | 4.86 | 18.32 | 3.77 | 5.19 | 17.51 | 3.37 | 5.48 | 16.72 | 3.05 | 5.69 | 15.93 | 2.80 | 5.91 | 15.15 | 2.56 | 6.12 | 14.36 | 2.34 |
| | 7°C | 4.90 | 19.21 | 3.92 | 5.03 | 19.11 | 3.80 | 5.19 | 18.32 | 3.53 | 5.48 | 17.54 | 3.20 | 5.81 | 16.75 | 2.88 | 6.04 | 15.96 | 2.65 | 6.26 | 15.18 | 2.42 | 6.48 | 14.39 | 2.22 |
| | 6°C | 5.93 | 20.03 | 3.38 | 6.11 | 19.81 | 3.24 | 6.31 | 19.04 | 3.02 | 6.59 | 18.27 | 2.77 | 6.91 | 17.51 | 2.53 | 7.17 | 16.74 | 2.34 | 7.42 | 15.97 | 2.15 | 7.68 | 15.21 | 1.98 |
| | 5°C | 7.51 | 20.93 | 2.78 | 7.72 | 20.59 | 2.67 | 7.96 | 19.87 | 2.50 | 8.24 | 19.15 | 2.33 | 8.54 | 18.43 | 2.16 | 8.81 | 17.71 | 2.01 | 9.09 | 16.99 | 1.87 | 9.36 | 16.27 | 1.74 |
| | 4°C | 8.93 | 21.26 | 2.38 | 9.16 | 20.85 | 2.28 | 9.43 | 20.19 | 2.14 | 9.70 | 19.53 | 2.01 | 9.99 | 18.88 | 1.89 | 10.27 | 18.22 | 1.77 | 10.55 | 17.56 | 1.66 | 10.83 | 16.91 | 1.56 |
| | 3°C | 9.76 | 21.53 | 2.21 | 10.00 | 21.05 | 2.10 | 10.30 | 20.43 | 1.98 | 10.59 | 19.81 | 1.87 | 10.88 | 19.18 | 1.76 | 11.18 | 18.56 | 1.66 | 11.48 | 17.94 | 1.56 | 11.77 | 17.32 | 1.47 |
| | 2°C | 10.57 | 21.81 | 2.06 | 10.83 | 21.23 | 1.96 | 11.15 | 20.64 | 1.85 | 11.46 | 20.05 | 1.75 | 11.77 | 19.46 | 1.65 | 12.08 | 18.88 | 1.56 | 12.39 | 18.29 | 1.48 | 12.70 | 17.70 | 1.39 |
| | 1°C | 10.57 | 21.81 | 2.06 | 10.83 | 21.22 | 1.96 | 11.16 | 20.62 | 1.85 | 11.47 | 20.03 | 1.75 | 11.77 | 19.43 | 1.65 | 12.08 | 18.84 | 1.56 | 12.40 | 18.25 | 1.47 | 12.71 | 17.65 | 1.39 |
| 0°C | 10.57 | 21.81 | 2.06 | 10.84 | 21.21 | 1.96 | 11.17 | 20.61 | 1.85 | 11.48 | 20.01 | 1.74 | 11.79 | 19.41 | 1.65 | 12.10 | 18.80 | 1.55 | 12.41 | 18.20 | 1.47 | 12.72 | 17.60 | 1.38 | |
| -1°C | 10.58 | 21.81 | 2.06 | 10.85 | 21.20 | 1.95 | 11.18 | 20.60 | 1.84 | 11.50 | 19.99 | 1.74 | 11.81 | 19.38 | 1.64 | 12.13 | 18.77 | 1.55 | 12.44 | 18.16 | 1.46 | 12.74 | 17.55 | 1.38 | |
| -2°C | 10.58 | 21.81 | 2.06 | 10.86 | 21.20 | 1.95 | 11.20 | 20.58 | 1.84 | 11.52 | 19.96 | 1.73 | 11.84 | 19.35 | 1.63 | 12.17 | 18.73 | 1.54 | 12.48 | 18.11 | 1.45 | 12.77 | 17.50 | 1.37 | |
| -3°C | 10.59 | 21.81 | 2.06 | 10.88 | 21.19 | 1.95 | 11.22 | 20.57 | 1.83 | 11.56 | 19.94 | 1.73 | 11.88 | 19.32 | 1.63 | 12.22 | 18.70 | 1.53 | 12.52 | 18.07 | 1.44 | 12.81 | 17.45 | 1.36 | |
| -4°C | 10.59 | 21.81 | 2.06 | 10.90 | 21.18 | 1.94 | 11.25 | 20.55 | 1.83 | 11.60 | 19.92 | 1.72 | 11.94 | 19.29 | 1.62 | 12.28 | 18.66 | 1.52 | 12.58 | 18.03 | 1.43 | 12.86 | 17.40 | 1.35 | |
| -5°C | 10.60 | 21.81 | 2.06 | 10.93 | 21.18 | 1.94 | 11.29 | 20.54 | 1.82 | 11.65 | 19.90 | 1.71 | 12.00 | 19.26 | 1.61 | 12.35 | 18.62 | 1.51 | 12.65 | 17.98 | 1.42 | 12.92 | 17.35 | 1.34 | |
| -6°C | 10.60 | 21.81 | 2.06 | 10.96 | 21.17 | 1.93 | 11.33 | 20.52 | 1.81 | 11.70 | 19.88 | 1.70 | 12.07 | 19.23 | 1.59 | 12.44 | 18.59 | 1.49 | 12.74 | 17.94 | 1.41 | 12.99 | 17.30 | 1.33 | |
| -7°C | 10.61 | 21.81 | 2.06 | 11.00 | 21.16 | 1.92 | 11.38 | 20.51 | 1.80 | 11.76 | 19.86 | 1.69 | 12.15 | 19.20 | 1.58 | 12.53 | 18.55 | 1.48 | 12.83 | 17.90 | 1.40 | 13.06 | 17.24 | 1.32 | |
| -8°C | 10.65 | 21.66 | 2.03 | 11.03 | 21.02 | 1.90 | 11.42 | 20.37 | 1.78 | 11.81 | 19.65 | 1.66 | 12.19 | 18.93 | 1.55 | 12.58 | 18.20 | 1.45 | 12.87 | 17.48 | 1.36 | 13.11 | 16.76 | 1.28 | |
| -9°C | 10.68 | 21.50 | 2.01 | 11.07 | 20.87 | 1.89 | 11.46 | 20.24 | 1.77 | 11.85 | 19.45 | 1.64 | 12.24 | 18.65 | 1.52 | 12.62 | 17.86 | 1.41 | 12.92 | 17.06 | 1.32 | 13.16 | 16.27 | 1.24 | |
| -10°C | 10.71 | 21.35 | 1.99 | 11.10 | 20.73 | 1.87 | 11.50 | 20.11 | 1.75 | 11.89 | 19.24 | 1.62 | 12.28 | 18.38 | 1.50 | 12.67 | 17.51 | 1.38 | 12.97 | 16.64 | 1.28 | 13.21 | 15.78 | 1.19 | |
| -11°C | 10.74 | 20.90 | 1.95 | 11.13 | 20.35 | 1.83 | 11.52 | 19.78 | 1.72 | 11.92 | 18.96 | 1.59 | 12.31 | 18.14 | 1.47 | 12.70 | 17.30 | 1.36 | 13.00 | 16.47 | 1.27 | 13.24 | 15.63 | 1.18 | |
| -12°C | 10.76 | 20.43 | 1.90 | 11.16 | 19.94 | 1.79 | 11.55 | 19.42 | 1.68 | 11.95 | 18.65 | 1.56 | 12.34 | 17.87 | 1.45 | 12.74 | 17.07 | 1.34 | 13.04 | 16.26 | 1.25 | 13.28 | 15.45 | 1.16 | |
| -13°C | 10.78 | 19.94 | 1.85 | 11.18 | 19.51 | 1.74 | 11.58 | 19.04 | 1.64 | 11.98 | 18.32 | 1.53 | 12.37 | 17.57 | 1.42 | 12.77 | 16.81 | 1.32 | 13.07 | 16.03 | 1.23 | 13.31 | 15.24 | 1.15 | |
| -14°C | 10.81 | 19.43 | 1.80 | 11.21 | 19.05 | 1.70 | 11.61 | 18.63 | 1.61 | 12.01 | 17.95 | 1.50 | 12.41 | | | | | | | | | | | | |

▼ Alféa Excellia HP A.I. Tri 15 and alféa Excellia HP duo A.I. Tri 15

Test conditions comply with EN 14825 with 9 kW electrical backup

| | Starting temperature | | | | | | | | | | | | | | | | | | | | | | | | |
|---------------------|----------------------|-------|-------|-------|-------|-------|-------|-------|-------|-------|-------|-------|-------|-------|-------|-------|-------|-------|-------|-------|-------|-------|-------|-------|------|
| | 25°C | | | 30°C | | | 35°C | | | 40°C | | | 45°C | | | 50°C | | | 55°C | | | 60°C | | | |
| | IP | HC | COP | IP | HC | COP | IP | HC | COP | IP | HC | COP | IP | HC | COP | IP | HC | COP | IP | HC | COP | IP | HC | COP | |
| Outdoor temperature | 35°C | 3.24 | 19.87 | 6.14 | 3.35 | 19.28 | 5.76 | 3.46 | 18.28 | 5.28 | 3.62 | 17.40 | 4.81 | 3.81 | 16.56 | 4.35 | 4.00 | 15.71 | 3.93 | 4.20 | 14.87 | 3.54 | 4.40 | 14.03 | 3.19 |
| | 34°C | 3.23 | 19.82 | 6.13 | 3.34 | 19.23 | 5.75 | 3.46 | 18.23 | 5.27 | 3.62 | 17.36 | 4.80 | 3.80 | 16.51 | 4.34 | 4.00 | 15.67 | 3.92 | 4.20 | 14.83 | 3.53 | 4.40 | 13.99 | 3.18 |
| | 33°C | 3.23 | 19.77 | 6.12 | 3.34 | 19.18 | 5.74 | 3.46 | 18.19 | 5.26 | 3.62 | 17.31 | 4.79 | 3.80 | 16.47 | 4.33 | 4.00 | 15.63 | 3.91 | 4.20 | 14.79 | 3.53 | 4.39 | 13.95 | 3.18 |
| | 32°C | 3.23 | 19.72 | 6.11 | 3.34 | 19.13 | 5.73 | 3.45 | 18.14 | 5.25 | 3.61 | 17.27 | 4.78 | 3.80 | 16.43 | 4.32 | 4.00 | 15.59 | 3.90 | 4.19 | 14.75 | 3.52 | 4.39 | 13.91 | 3.17 |
| | 31°C | 3.23 | 19.68 | 6.09 | 3.34 | 19.09 | 5.72 | 3.45 | 18.09 | 5.24 | 3.61 | 17.23 | 4.77 | 3.80 | 16.39 | 4.32 | 3.99 | 15.55 | 3.89 | 4.19 | 14.71 | 3.51 | 4.39 | 13.87 | 3.16 |
| | 30°C | 3.23 | 19.63 | 6.08 | 3.34 | 19.04 | 5.71 | 3.45 | 18.05 | 5.23 | 3.61 | 17.18 | 4.76 | 3.79 | 16.34 | 4.31 | 3.99 | 15.51 | 3.89 | 4.19 | 14.67 | 3.50 | 4.38 | 13.83 | 3.15 |
| | 29°C | 3.22 | 19.58 | 6.07 | 3.33 | 18.99 | 5.69 | 3.45 | 18.00 | 5.22 | 3.61 | 17.14 | 4.75 | 3.79 | 16.30 | 4.30 | 3.99 | 15.47 | 3.88 | 4.19 | 14.63 | 3.50 | 4.38 | 13.79 | 3.15 |
| | 28°C | 3.22 | 19.53 | 6.06 | 3.33 | 18.94 | 5.68 | 3.45 | 17.96 | 5.21 | 3.60 | 17.09 | 4.74 | 3.79 | 16.26 | 4.29 | 3.99 | 15.42 | 3.87 | 4.18 | 14.59 | 3.49 | 4.38 | 13.76 | 3.14 |
| | 27°C | 3.22 | 19.48 | 6.05 | 3.33 | 18.90 | 5.67 | 3.44 | 17.91 | 5.20 | 3.60 | 17.05 | 4.73 | 3.79 | 16.22 | 4.28 | 3.98 | 15.38 | 3.86 | 4.18 | 14.55 | 3.48 | 4.38 | 13.72 | 3.13 |
| | 26°C | 3.22 | 19.43 | 6.04 | 3.33 | 18.85 | 5.66 | 3.44 | 17.87 | 5.19 | 3.60 | 17.01 | 4.72 | 3.79 | 16.18 | 4.27 | 3.98 | 15.34 | 3.85 | 4.18 | 14.51 | 3.47 | 4.37 | 13.68 | 3.13 |
| | 25°C | 3.22 | 19.38 | 6.03 | 3.33 | 18.80 | 5.65 | 3.44 | 17.83 | 5.18 | 3.60 | 16.97 | 4.71 | 3.78 | 16.13 | 4.26 | 3.98 | 15.30 | 3.85 | 4.18 | 14.47 | 3.47 | 4.37 | 13.64 | 3.12 |
| | 24°C | 3.21 | 19.34 | 6.01 | 3.33 | 18.76 | 5.64 | 3.44 | 17.78 | 5.17 | 3.60 | 16.92 | 4.71 | 3.78 | 16.09 | 4.26 | 3.98 | 15.26 | 3.84 | 4.17 | 14.43 | 3.46 | 4.37 | 13.60 | 3.11 |
| | 23°C | 3.21 | 19.29 | 6.00 | 3.32 | 18.71 | 5.63 | 3.44 | 17.74 | 5.16 | 3.59 | 16.88 | 4.70 | 3.78 | 16.05 | 4.25 | 3.97 | 15.22 | 3.83 | 4.17 | 14.39 | 3.45 | 4.37 | 13.57 | 3.11 |
| | 22°C | 3.21 | 19.24 | 5.99 | 3.32 | 18.66 | 5.62 | 3.43 | 17.69 | 5.15 | 3.59 | 16.84 | 4.69 | 3.78 | 16.01 | 4.24 | 3.97 | 15.18 | 3.82 | 4.17 | 14.36 | 3.44 | 4.36 | 13.53 | 3.10 |
| | 21°C | 3.21 | 19.19 | 5.98 | 3.32 | 18.62 | 5.61 | 3.43 | 17.65 | 5.14 | 3.59 | 16.79 | 4.68 | 3.77 | 15.97 | 4.23 | 3.97 | 15.14 | 3.81 | 4.17 | 14.32 | 3.44 | 4.36 | 13.49 | 3.09 |
| | 20°C | 3.21 | 19.14 | 5.97 | 3.32 | 18.57 | 5.60 | 3.43 | 17.61 | 5.13 | 3.59 | 16.75 | 4.67 | 3.77 | 15.93 | 4.22 | 3.97 | 15.10 | 3.81 | 4.16 | 14.28 | 3.43 | 4.36 | 13.45 | 3.09 |
| | 19°C | 3.23 | 19.10 | 5.91 | 3.34 | 18.53 | 5.54 | 3.46 | 17.56 | 5.08 | 3.63 | 16.71 | 4.61 | 3.82 | 15.89 | 4.16 | 4.01 | 15.06 | 3.75 | 4.21 | 14.24 | 3.38 | 4.40 | 13.42 | 3.05 |
| | 18°C | 3.25 | 19.05 | 5.86 | 3.37 | 18.48 | 5.48 | 3.49 | 17.52 | 5.03 | 3.67 | 16.67 | 4.55 | 3.86 | 15.85 | 4.10 | 4.06 | 15.02 | 3.70 | 4.25 | 14.20 | 3.34 | 4.45 | 13.38 | 3.01 |
| | 17°C | 3.28 | 19.00 | 5.80 | 3.40 | 18.43 | 5.42 | 3.51 | 17.48 | 4.97 | 3.70 | 16.63 | 4.49 | 3.91 | 15.81 | 4.05 | 4.10 | 14.98 | 3.65 | 4.30 | 14.16 | 3.29 | 4.50 | 13.34 | 2.97 |
| | 16°C | 3.30 | 18.96 | 5.75 | 3.43 | 18.39 | 5.36 | 3.54 | 17.43 | 4.92 | 3.74 | 16.59 | 4.43 | 3.95 | 15.77 | 3.99 | 4.15 | 14.95 | 3.60 | 4.34 | 14.13 | 3.25 | 4.54 | 13.31 | 2.93 |
| | 15°C | 3.32 | 18.91 | 5.69 | 3.46 | 18.34 | 5.31 | 3.57 | 17.39 | 4.87 | 3.78 | 16.54 | 4.37 | 4.00 | 15.72 | 3.93 | 4.19 | 14.91 | 3.55 | 4.39 | 14.09 | 3.21 | 4.59 | 13.27 | 2.89 |
| | 14°C | 3.34 | 18.86 | 5.64 | 3.48 | 18.30 | 5.25 | 3.60 | 17.35 | 4.82 | 3.82 | 16.50 | 4.32 | 4.04 | 15.68 | 3.88 | 4.24 | 14.87 | 3.51 | 4.44 | 14.05 | 3.17 | 4.63 | 13.23 | 2.86 |
| | 13°C | 3.37 | 18.82 | 5.59 | 3.51 | 18.25 | 5.20 | 3.63 | 17.30 | 4.77 | 3.86 | 16.46 | 4.26 | 4.09 | 15.64 | 3.83 | 4.28 | 14.83 | 3.46 | 4.48 | 14.01 | 3.13 | 4.68 | 13.20 | 2.82 |
| | 12°C | 3.39 | 18.77 | 5.54 | 3.54 | 18.21 | 5.15 | 3.65 | 17.26 | 4.72 | 3.90 | 16.42 | 4.21 | 4.13 | 15.60 | 3.78 | 4.33 | 14.79 | 3.42 | 4.53 | 13.97 | 3.09 | 4.73 | 13.16 | 2.78 |
| | 11°C | 3.73 | 18.74 | 5.03 | 3.87 | 18.27 | 4.72 | 3.99 | 17.36 | 4.35 | 4.26 | 16.52 | 3.88 | 4.49 | 15.71 | 3.50 | 4.69 | 14.89 | 3.17 | 4.89 | 14.08 | 2.88 | 5.09 | 13.27 | 2.61 |
| | 10°C | 4.02 | 18.67 | 4.64 | 4.16 | 18.28 | 4.39 | 4.29 | 17.42 | 4.06 | 4.56 | 16.58 | 3.63 | 4.81 | 15.77 | 3.28 | 5.01 | 14.95 | 2.99 | 5.21 | 14.14 | 2.72 | 5.40 | 13.33 | 2.47 |
| 9°C | 4.36 | 18.64 | 4.28 | 4.49 | 18.34 | 4.08 | 4.63 | 17.52 | 3.79 | 4.92 | 16.68 | 3.39 | 5.17 | 15.87 | 3.07 | 5.37 | 15.06 | 2.81 | 5.57 | 14.25 | 2.56 | 5.77 | 13.44 | 2.33 | |
| 8°C | 4.65 | 18.57 | 3.99 | 4.78 | 18.35 | 3.84 | 4.92 | 17.58 | 3.57 | 5.23 | 16.74 | 3.20 | 5.49 | 15.93 | 2.90 | 5.68 | 15.12 | 2.66 | 5.88 | 14.31 | 2.43 | 6.08 | 13.50 | 2.22 | |
| 7°C | 5.13 | 18.69 | 3.64 | 5.25 | 18.55 | 3.53 | 5.40 | 17.74 | 3.29 | 5.66 | 16.93 | 2.99 | 5.97 | 16.12 | 2.70 | 6.17 | 15.31 | 2.48 | 6.38 | 14.50 | 2.27 | 6.59 | 13.69 | 2.08 | |
| 6°C | 6.45 | 19.93 | 3.09 | 6.61 | 19.60 | 2.97 | 6.81 | 18.75 | 2.75 | 7.10 | 17.90 | 2.52 | 7.41 | 17.05 | 2.30 | 7.64 | 16.20 | 2.12 | 7.87 | 15.35 | 1.95 | 8.11 | 14.51 | 1.79 | |
| 5°C | 8.67 | 21.53 | 2.48 | 8.86 | 21.05 | 2.38 | 9.10 | 20.20 | 2.22 | 9.39 | 19.35 | 2.06 | 9.68 | 18.49 | 1.91 | 9.93 | 17.64 | 1.78 | 10.18 | 16.79 | 1.65 | 10.43 | 15.94 | 1.53 | |
| 4°C | 10.84 | 22.98 | 2.12 | 11.04 | 22.37 | 2.03 | 11.30 | 21.53 | 1.91 | 11.58 | 20.69 | 1.79 | 11.85 | 19.85 | 1.68 | 12.10 | 19.01 | 1.57 | 12.36 | 18.17 | 1.47 | 12.62 | 17.33 | 1.37 | |
| 3°C | 12.03 | 23.90 | 1.99 | 12.25 | 23.18 | 1.89 | 12.53 | 22.33 | 1.78 | 12.80 | 21.48 | 1.68 | 13.07 | 20.63 | 1.58 | 13.33 | 19.77 | 1.48 | 13.60 | 18.92 | 1.39 | 13.87 | 17.07 | 1.30 | |
| 2°C | 13.12 | 24.73 | 1.89 | 13.35 | 23.85 | 1.79 | 13.64 | 22.98 | 1.68 | 13.92 | 22.10 | 1.59 | 14.19 | 21.22 | 1.50 | 14.47 | 20.34 | 1.41 | 14.75 | 19.47 | 1.32 | 15.03 | 18.59 | 1.24 | |
| 1°C | 13.12 | 24.62 | 1.88 | 13.35 | 23.80 | 1.78 | 13.64 | 22.99 | 1.69 | 13.92 | 22.17 | 1.59 | 14.19 | 21.36 | 1.50 | 14.48 | 20.55 | 1.42 | 14.76 | 19.73 | 1.34 | 15.03 | 18.92 | 1.26 | |
| 0°C | 13.12 | 24.50 | 1.87 | 13.35 | 23.75 | 1.78 | 13.65 | 23.00 | 1.69 | 13.93 | 22.25 | 1.60 | 14.21 | 21.50 | 1.51 | 14.49 | 20.75 | 1.43 | 14.77 | 20.00 | 1.35 | 15.05 | 19.24 | 1.28 | |
| -1°C | 13.12 | 24.39 | 1.86 | 13.36 | 23.70 | 1.77 | 13.66 | 23.01 | 1.68 | 13.95 | 22.32 | 1.60 | 14.23 | 21.64 | 1.52 | 14.52 | 20.95 | 1.44 | 14.79 | 20.26 | 1.37 | 15.07 | 19.57 | 1.30 | |
| -2°C | 13.12 | 24.28 | 1.85 | 13.38 | 23.65 | 1.77 | 13.68 | 23.03 | 1.68 | 13.97 | 22.40 | 1.60 | 14.26 | 21.77 | 1.53 | 14.55 | 21.15 | 1.45 | 14.83 | 20.52 | 1.38 | 15.10 | 19.90 | 1.32 | |
| -3°C | 13.13 | 24.16 | 1.84 | 13.39 | 23.60 | 1.76 | 13.70 | 23.04 | 1.68 | 14.00 | 22.48 | 1.61 | 14.30 | 21.91 | 1.53 | 14.60 | 21.35 | 1.46 | 14.87 | 20.79 | 1.40 | 15.13 | 20.23 | 1.34 | |
| -4°C | 13.13 | 24.05 | 1.83 | 13.41 | 23.55 | 1.76 | 13.73 | 23.05 | 1.68 | 14.04 | 22.55 | 1.61 | 14.34 | 22.05 | 1.54 | 14.65 | 21.55 | 1.47 | 14.93 | 21.05 | 1.41 | 15.18 | 20.55 | 1.35 | |
| -5°C | 13.14 | 23.93 | 1.82 | 13.44 | 23.50 | 1.75 | 13.76 | 23.06 | 1.68 | 14.08 | 22.63 | 1.61 | 14.40 | 22.19 | 1.54 | 14.72 | 21.75 | 1.48 | 14.99 | 21.32 | 1.42 | 15.23 | 20.88 | 1.37 | |
| -6°C | 13.14 | 23.82 | 1.81 | 13.47 | 23.45 | 1.74 | 13.80 | 23.07 | 1.67 | 14.13 | 22.70 | 1.61 | 14.46 | 22.33 | 1.54 | 14.79 | 21.95 | 1.48 | 15.06 | 21.58 | 1.43 | 15.29 | 21.21 | 1.39 | |
| -7°C | 13.15 | 23.71 | 1.80 | 13.50 | 23.40 | 1.73 | 13.84 | 23.09 | 1.67 | 14.19 | 22.78 | 1.61 | 14.53 | 22.47 | 1.55 | 14.88 | 22.16 | 1.49 | 15.14 | 21.85 | 1.44 | 15.36 | 21.54 | 1.40 | |
| -8°C | 13.18 | 23.53 | 1.79 | 13.53 | 23.37 | 1.71 | 13.88 | 22.81 | 1.64 | 14.22 | 22.50 | 1.58 | 14.57 | 22.20 | 1.52 | 14.92 | 21.89 | 1.47 | 15.19 | 21.58 | 1.42 | 15.40 | 21.28 | 1.38 | |
| -9°C | 13.21 | 23.36 | 1.77 | 13.56 | 23.32 | 1.69 | 13.91 | 22.53 | 1.62 | 14.26 | 22.23 | 1.56 | 14.61 | 21.93 | 1.50 | 14.96 | 21.62 | 1.45 | 15.23 | 21.32 | 1.40 | 15.44 | 21.01 | 1.36 | |
| -10°C | 13.24 | 23.18 | 1.75 | 13.59 | 23.27 | 1.67 | 13.95 | 22.26 | 1.60 | 14.30 | 21.96 | 1.54 | 14.65 | 21.66 | 1.48 | 15.00 | 21.36 | 1.42 | 15.27 | 21.05 | 1.38 | 15.48 | 20.75 | 1.34 | |
| -11°C | 13.26 | 22.77 | 1.72 | 13.62 | 23.26 | 1.64 | 13.97 | 21.95 | 1.57 | 14.33 | 21.68 | 1.51 | 14.68 | 21.41 | 1.46 | 15.03 | 21.13 | 1.41 | 15.30 | 20.85 | 1.36 | 15.52 | 20.57 | 1.33 | |
| -12°C | 13.28 | 22.33 | 1.68 | 13.64 | 23.18 | 1.61 | 14.00 | 21.61 | 1.54 | 14.35 | 21.38 | 1.49 | 14.71 | 21.14 | 1.44 | 15.06 | 20.88 | 1.39 | 15.33 | 20.62 | 1.34 | 15.55 | 20.36 | 1.31 | |
| -13°C | 13.31 | 22.88 | 1.64 | 13.66 | 23.18 | 1.58 | 14.02 | 21.25 | 1.52 | 14.38 | 21.05 | 1.46 | 14.74 | 20.83 | 1.41 | 15.09 | 20.60 | 1.36 | 15.37 | 20.36 | 1.33 | 15.58 | 20.11 | 1.29 | |
| -14°C | 13.33 | 22.41 | 1.61 | 13.69 | 23.16 | 1.55 | 14.05 | 20.87 | 1.49 | 14.41 | 2 | | | | | | | | | | | | | | |

▼ Alféa Excellia HP A.I. Tri 17 and alféa Excellia HP A.I. Tri 17

Test conditions comply with EN 14825 with 9 kW electrical backup

| Outdoor temperature | Starting temperature | | | | | | | | | | | | | | | | | | | | | | | |
|---------------------|----------------------|-------|------|-------|-------|------|-------|-------|------|-------|-------|------|-------|-------|------|-------|-------|------|-------|-------|------|-------|-------|------|
| | 25°C | | | 30°C | | | 35°C | | | 40°C | | | 45°C | | | 50°C | | | 55°C | | | 60°C | | |
| | IP | HC | COP | IP | HC | COP | IP | HC | COP | IP | HC | COP | IP | HC | COP | IP | HC | COP | IP | HC | COP | IP | HC | COP |
| 35°C | 3.73 | 22.19 | 5.95 | 3.74 | 21.47 | 5.73 | 3.88 | 20.55 | 5.30 | 4.06 | 19.75 | 4.86 | 4.28 | 18.99 | 4.44 | 4.51 | 18.23 | 4.04 | 4.75 | 17.46 | 3.68 | 4.98 | 16.70 | 3.35 |
| 34°C | 3.73 | 22.13 | 5.93 | 3.74 | 21.41 | 5.72 | 3.87 | 20.49 | 5.29 | 4.06 | 19.70 | 4.85 | 4.28 | 18.94 | 4.43 | 4.51 | 18.18 | 4.03 | 4.75 | 17.42 | 3.67 | 4.98 | 16.66 | 3.35 |
| 33°C | 3.73 | 22.07 | 5.92 | 3.74 | 21.36 | 5.71 | 3.87 | 20.44 | 5.28 | 4.06 | 19.65 | 4.84 | 4.28 | 18.89 | 4.42 | 4.51 | 18.13 | 4.02 | 4.74 | 17.37 | 3.66 | 4.98 | 16.61 | 3.34 |
| 32°C | 3.73 | 22.02 | 5.91 | 3.74 | 21.30 | 5.70 | 3.87 | 20.39 | 5.27 | 4.06 | 19.60 | 4.83 | 4.27 | 18.84 | 4.41 | 4.51 | 18.08 | 4.01 | 4.74 | 17.32 | 3.65 | 4.97 | 16.56 | 3.33 |
| 31°C | 3.72 | 21.96 | 5.90 | 3.74 | 21.25 | 5.69 | 3.87 | 20.34 | 5.26 | 4.05 | 19.55 | 4.82 | 4.27 | 18.79 | 4.40 | 4.50 | 18.03 | 4.00 | 4.74 | 17.27 | 3.65 | 4.97 | 16.52 | 3.32 |
| 30°C | 3.72 | 21.90 | 5.89 | 3.73 | 21.19 | 5.67 | 3.87 | 20.28 | 5.25 | 4.05 | 19.50 | 4.81 | 4.27 | 18.74 | 4.39 | 4.50 | 17.98 | 3.99 | 4.74 | 17.23 | 3.64 | 4.97 | 16.47 | 3.32 |
| 29°C | 3.72 | 21.85 | 5.87 | 3.73 | 21.14 | 5.66 | 3.86 | 20.23 | 5.24 | 4.05 | 19.45 | 4.80 | 4.27 | 18.69 | 4.38 | 4.50 | 17.93 | 3.99 | 4.73 | 17.18 | 3.63 | 4.96 | 16.42 | 3.31 |
| 28°C | 3.72 | 21.79 | 5.86 | 3.73 | 21.08 | 5.65 | 3.86 | 20.18 | 5.23 | 4.05 | 19.40 | 4.79 | 4.27 | 18.64 | 4.37 | 4.50 | 17.89 | 3.98 | 4.73 | 17.13 | 3.62 | 4.96 | 16.38 | 3.30 |
| 27°C | 3.72 | 21.74 | 5.85 | 3.73 | 21.03 | 5.64 | 3.86 | 20.13 | 5.21 | 4.04 | 19.34 | 4.78 | 4.26 | 18.59 | 4.36 | 4.50 | 17.84 | 3.97 | 4.73 | 17.09 | 3.61 | 4.96 | 16.33 | 3.29 |
| 26°C | 3.71 | 21.68 | 5.84 | 3.73 | 20.97 | 5.63 | 3.86 | 20.08 | 5.20 | 4.04 | 19.29 | 4.77 | 4.26 | 18.54 | 4.35 | 4.49 | 17.79 | 3.96 | 4.73 | 17.04 | 3.61 | 4.96 | 16.29 | 3.29 |
| 25°C | 3.71 | 21.62 | 5.83 | 3.73 | 20.92 | 5.62 | 3.86 | 20.02 | 5.19 | 4.04 | 19.24 | 4.76 | 4.26 | 18.49 | 4.34 | 4.49 | 17.74 | 3.95 | 4.72 | 16.99 | 3.60 | 4.95 | 16.24 | 3.28 |
| 24°C | 3.71 | 21.57 | 5.81 | 3.72 | 20.87 | 5.60 | 3.85 | 19.97 | 5.18 | 4.04 | 19.19 | 4.75 | 4.26 | 18.45 | 4.33 | 4.49 | 17.70 | 3.94 | 4.72 | 16.95 | 3.59 | 4.95 | 16.20 | 3.27 |
| 23°C | 3.71 | 21.51 | 5.80 | 3.72 | 20.81 | 5.59 | 3.85 | 19.92 | 5.17 | 4.04 | 19.15 | 4.74 | 4.25 | 18.40 | 4.32 | 4.49 | 17.65 | 3.93 | 4.72 | 16.90 | 3.58 | 4.95 | 16.15 | 3.26 |
| 22°C | 3.71 | 21.46 | 5.79 | 3.72 | 20.76 | 5.58 | 3.85 | 19.87 | 5.16 | 4.03 | 19.10 | 4.73 | 4.25 | 18.35 | 4.31 | 4.48 | 17.60 | 3.93 | 4.72 | 16.85 | 3.57 | 4.95 | 16.11 | 3.26 |
| 21°C | 3.70 | 21.40 | 5.78 | 3.72 | 20.71 | 5.57 | 3.85 | 19.82 | 5.15 | 4.03 | 19.05 | 4.72 | 4.25 | 18.30 | 4.31 | 4.48 | 17.55 | 3.92 | 4.71 | 16.81 | 3.57 | 4.94 | 16.06 | 3.25 |
| 20°C | 3.70 | 21.35 | 5.77 | 3.72 | 20.65 | 5.56 | 3.85 | 19.77 | 5.14 | 4.03 | 19.00 | 4.71 | 4.25 | 18.25 | 4.30 | 4.48 | 17.51 | 3.91 | 4.71 | 16.76 | 3.56 | 4.94 | 16.02 | 3.24 |
| 19°C | 3.73 | 21.30 | 5.71 | 3.75 | 20.60 | 5.50 | 3.88 | 19.72 | 5.09 | 4.03 | 18.95 | 4.65 | 4.30 | 18.20 | 4.23 | 4.53 | 17.46 | 3.85 | 4.76 | 16.72 | 3.51 | 5.00 | 15.97 | 3.20 |
| 18°C | 3.76 | 21.24 | 5.65 | 3.78 | 20.55 | 5.44 | 3.91 | 19.67 | 5.03 | 4.12 | 18.90 | 4.59 | 4.35 | 18.16 | 4.17 | 4.59 | 17.41 | 3.80 | 4.82 | 16.67 | 3.46 | 5.05 | 15.93 | 3.15 |
| 17°C | 3.79 | 21.19 | 5.59 | 3.81 | 20.50 | 5.38 | 3.94 | 19.62 | 4.98 | 4.17 | 18.85 | 4.52 | 4.41 | 18.11 | 4.11 | 4.64 | 17.37 | 3.74 | 4.87 | 16.63 | 3.41 | 5.10 | 15.88 | 3.11 |
| 16°C | 3.82 | 21.13 | 5.53 | 3.84 | 20.44 | 5.32 | 3.97 | 19.57 | 4.92 | 4.21 | 18.80 | 4.46 | 4.46 | 18.06 | 4.05 | 4.69 | 17.32 | 3.69 | 4.93 | 16.58 | 3.37 | 5.16 | 15.84 | 3.07 |
| 15°C | 3.85 | 21.08 | 5.48 | 3.87 | 20.39 | 5.26 | 4.01 | 19.52 | 4.87 | 4.26 | 18.75 | 4.40 | 4.51 | 18.01 | 3.99 | 4.75 | 17.28 | 3.64 | 4.98 | 16.54 | 3.32 | 5.21 | 15.80 | 3.03 |
| 14°C | 3.88 | 21.03 | 5.42 | 3.91 | 20.34 | 5.21 | 4.04 | 19.47 | 4.82 | 4.31 | 18.71 | 4.34 | 4.57 | 17.97 | 3.93 | 4.80 | 17.23 | 3.59 | 5.03 | 16.49 | 3.28 | 5.22 | 15.75 | 2.99 |
| 13°C | 3.91 | 20.97 | 5.37 | 3.94 | 20.29 | 5.15 | 4.07 | 19.42 | 4.77 | 4.35 | 18.66 | 4.29 | 4.62 | 17.92 | 3.88 | 4.85 | 17.18 | 3.54 | 5.09 | 16.45 | 3.23 | 5.25 | 15.71 | 2.95 |
| 12°C | 3.94 | 20.92 | 5.32 | 3.97 | 20.24 | 5.10 | 4.10 | 19.37 | 4.72 | 4.40 | 18.61 | 4.23 | 4.67 | 17.87 | 3.82 | 4.91 | 17.14 | 3.49 | 5.14 | 16.40 | 3.19 | 5.38 | 15.67 | 2.91 |
| 11°C | 4.28 | 20.86 | 4.87 | 4.33 | 20.31 | 4.69 | 4.46 | 19.48 | 4.37 | 4.76 | 18.72 | 3.93 | 5.04 | 17.99 | 3.57 | 5.28 | 17.25 | 3.27 | 5.51 | 16.52 | 3.00 | 5.75 | 15.78 | 2.75 |
| 10°C | 4.58 | 20.76 | 4.53 | 4.64 | 20.33 | 4.38 | 4.76 | 19.55 | 4.11 | 5.08 | 18.79 | 3.70 | 5.37 | 18.06 | 3.36 | 5.60 | 17.33 | 3.09 | 5.84 | 16.59 | 2.84 | 6.07 | 15.86 | 2.61 |
| 9°C | 4.93 | 20.71 | 4.20 | 5.00 | 20.40 | 4.08 | 5.11 | 19.67 | 3.85 | 5.44 | 18.91 | 3.47 | 5.74 | 18.18 | 3.17 | 5.97 | 17.44 | 2.92 | 6.21 | 16.71 | 2.69 | 6.44 | 15.98 | 2.48 |
| 8°C | 5.22 | 20.61 | 3.94 | 5.32 | 20.43 | 3.84 | 5.42 | 19.74 | 3.64 | 5.76 | 18.98 | 3.29 | 6.06 | 18.25 | 3.01 | 6.30 | 17.52 | 2.78 | 6.53 | 16.78 | 2.57 | 6.77 | 16.05 | 2.37 |
| 7°C | 5.70 | 20.69 | 3.63 | 5.81 | 20.64 | 3.55 | 5.91 | 19.91 | 3.37 | 6.19 | 19.18 | 3.10 | 6.56 | 18.45 | 2.81 | 6.80 | 17.72 | 2.61 | 7.04 | 16.99 | 2.41 | 7.26 | 16.26 | 2.24 |
| 6°C | 7.00 | 21.77 | 3.11 | 7.16 | 21.47 | 3.00 | 7.35 | 20.65 | 2.81 | 7.68 | 19.83 | 2.58 | 8.05 | 19.01 | 2.36 | 8.31 | 18.20 | 2.19 | 8.57 | 17.38 | 2.03 | 8.77 | 16.56 | 1.89 |
| 5°C | 9.23 | 23.43 | 2.54 | 9.43 | 22.92 | 2.43 | 9.68 | 22.04 | 2.28 | 10.02 | 21.16 | 2.11 | 10.38 | 20.29 | 1.96 | 10.64 | 19.41 | 1.82 | 10.91 | 18.53 | 1.70 | 11.10 | 17.66 | 1.59 |
| 4°C | 11.45 | 25.09 | 2.19 | 11.67 | 24.40 | 2.09 | 11.94 | 23.48 | 1.97 | 12.25 | 22.56 | 1.84 | 12.57 | 21.64 | 1.72 | 12.84 | 20.72 | 1.61 | 13.11 | 19.80 | 1.51 | 13.28 | 18.88 | 1.42 |
| 3°C | 12.72 | 26.31 | 2.07 | 12.97 | 25.46 | 1.96 | 13.24 | 24.48 | 1.85 | 13.54 | 23.49 | 1.74 | 13.84 | 22.51 | 1.63 | 14.12 | 21.52 | 1.52 | 14.40 | 20.54 | 1.43 | 14.56 | 19.55 | 1.34 |
| 2°C | 13.87 | 27.40 | 1.97 | 14.14 | 26.32 | 1.86 | 14.42 | 25.25 | 1.75 | 14.71 | 24.18 | 1.64 | 15.02 | 23.10 | 1.54 | 15.31 | 22.03 | 1.44 | 15.61 | 20.96 | 1.34 | 15.77 | 19.89 | 1.26 |
| 1°C | 13.87 | 27.26 | 1.97 | 14.14 | 26.26 | 1.86 | 14.42 | 25.26 | 1.75 | 14.72 | 24.26 | 1.65 | 15.03 | 23.26 | 1.55 | 15.32 | 22.26 | 1.45 | 15.61 | 21.26 | 1.36 | 15.78 | 20.26 | 1.28 |
| 0°C | 13.87 | 27.13 | 1.96 | 14.15 | 26.20 | 1.85 | 14.43 | 25.27 | 1.75 | 14.73 | 24.34 | 1.65 | 15.04 | 23.42 | 1.56 | 15.34 | 22.49 | 1.47 | 15.62 | 21.56 | 1.38 | 15.78 | 20.63 | 1.31 |
| -1°C | 13.88 | 27.00 | 1.95 | 14.16 | 26.14 | 1.85 | 14.45 | 25.29 | 1.75 | 14.75 | 24.43 | 1.66 | 15.07 | 23.57 | 1.56 | 15.37 | 22.71 | 1.48 | 15.65 | 21.85 | 1.40 | 15.80 | 21.00 | 1.33 |
| -2°C | 13.88 | 26.87 | 1.94 | 14.17 | 26.09 | 1.84 | 14.47 | 25.30 | 1.75 | 14.78 | 24.51 | 1.66 | 15.10 | 23.73 | 1.57 | 15.41 | 22.94 | 1.49 | 15.68 | 22.15 | 1.41 | 15.82 | 21.37 | 1.35 |
| -3°C | 13.89 | 26.74 | 1.93 | 14.19 | 26.03 | 1.83 | 14.50 | 25.31 | 1.75 | 14.82 | 24.60 | 1.66 | 15.14 | 23.88 | 1.58 | 15.46 | 23.17 | 1.50 | 15.72 | 22.45 | 1.43 | 15.84 | 21.73 | 1.37 |
| -4°C | 13.90 | 26.61 | 1.91 | 14.21 | 25.97 | 1.83 | 14.53 | 25.32 | 1.74 | 14.86 | 24.68 | 1.66 | 15.20 | 24.04 | 1.58 | 15.52 | 23.39 | 1.51 | 15.76 | 22.75 | 1.44 | 15.87 | 22.10 | 1.39 |
| -5°C | 13.91 | 26.48 | 1.90 | 14.24 | 25.91 | 1.82 | 14.57 | 25.34 | 1.74 | 14.91 | 24.76 | 1.66 | 15.26 | 24.19 | 1.59 | 15.60 | 23.62 | 1.51 | 15.82 | 23.05 | 1.46 | 15.91 | 22.47 | 1.41 |
| -6°C | 13.92 | 26.35 | 1.89 | 14.27 | 25.85 | 1.81 | 14.62 | 25.35 | 1.73 | 14.98 | 24.85 | 1.66 | 15.33 | 24.35 | 1.59 | 15.69 | 23.85 | 1.52 | 15.88 | 23.34 | 1.47 | 15.95 | 22.84 | 1.43 |
| -7°C | 13.94 | 26.22 | 1.88 | 14.31 | 25.79 | 1.80 | 14.68 | 25.36 | 1.73 | 15.05 | 24.93 | 1.66 | 15.42 | 24.50 | 1.59 | 15.79 | 24.07 | 1.52 | 15.96 | 23.64 | 1.48 | 15.99 | 23.21 | 1.45 |
| -8°C | 13.88 | 25.92 | 1.87 | 14.26 | 25.39 | 1.78 | 14.65 | 24.86 | 1.70 | 15.03 | 24.45 | 1.63 | 15.41 | 24.03 | 1.56 | 15.79 | 23.62 | 1.50 | 15.96 | 23.20 | 1.45 | 16.00 | 22.79 | 1.42 |
| -9°C | 13.83 | 25.63 | 1.85 | 14.22 | 25.00 | 1.76 | 14.62 | 24.37 | 1.67 | 15.01 | 23.97 | 1.60 | 15.40 | 23.56 | 1.53 | 15.79 | 23.16 | 1.47 | 15.97 | 22.76 | 1.43 | 16.01 | 22.36 | 1.40 |
| -10°C | 13.78 | 25.33 | 1.84 | 14.18 | 24.60 | 1.73 | 14.59 | 23.87 | 1.64 | 14.99 | 23.48 | 1.57 | 15.39 | 23.10 | 1.50 | 15.79 | 22.71 | 1.44 | 15.98 | 22.32 | 1.40 | 16.02 | 21.94 | 1.37 |
| -11°C | 13.80 | 24.85 | 1.80 | 14.21 | 24.20 | 1.70 | 14.61 | 23.52 | 1.61 | 15.02 | 23.18 | 1.54 | 15.42 | 22.82 | 1.48 | 15.83 | 22.46 | 1.42 | 16.01 | 22.10 | 1.38 | 16.05 | 21.73 | 1.35 |
| -12°C | 13.83 | 24.35 | 1.76 | 14.23 | 23.76 | 1.67 | 14.64 | 23.15 | 1.58 | 15.05 | 22.84 | 1.52 | 15.46 | 22.52 | 1.46 | 15.86 | 22.18 | 1.40 | 16.05 | 21.84 | 1.36 | 16.09 | 21.50 | 1.34 |
| -13°C | 13.85 | 23.83 | 1.72 | 14.26 | 23.31 | 1.63 | 14.67 | 22.74 | 1.55 | 15.08 | 22.47 | 1.49 | 15.49 | 22.18 | 1.43 | 15.90 | 21.87 | 1.38 | 16.08 | 21.56 | 1.34 | 16.12 | 21.23 | 1.32 |
| -14°C | | | | | | | | | | | | | | | | | | | | | | | | |

► Nominal performances tables in cooling mode

▼ Alféa Excellia HP A.I. 16 and alféa Excellia HP Duo A.I. 16

| | | Starting temperature | | | | | | | | | | | | | | | | | |
|---------------------|------|----------------------|------|------|-------|------|------|-------|------|------|-------|------|------|-------|------|------|-------|------|------|
| | | 7°C | | | 10°C | | | 13°C | | | 15°C | | | 18°C | | | 22C | | |
| | | CC | IP | EER | CC | IP | EER | CC | IP | EER | CC | IP | EER | CC | IP | EER | CC | IP | EER |
| Outdoor temperature | 20°C | 9.96 | 3.49 | 2.85 | 11.95 | 3.84 | 3.11 | 13.82 | 4.12 | 3.35 | 15.00 | 4.26 | 3.52 | 16.67 | 4.41 | 3.78 | 18.70 | 4.48 | 4.17 |
| | 25°C | 9.89 | 3.95 | 2.50 | 11.84 | 4.23 | 2.80 | 13.65 | 4.45 | 3.07 | 14.78 | 4.56 | 3.24 | 16.36 | 4.68 | 3.50 | 18.26 | 4.75 | 3.84 |
| | 30°C | 9.20 | 4.15 | 2.22 | 11.08 | 4.51 | 2.46 | 12.82 | 4.79 | 2.68 | 13.90 | 4.93 | 2.82 | 15.18 | 4.92 | 3.09 | 17.21 | 5.13 | 3.35 |
| | 35°C | 8.50 | 4.34 | 1.96 | 10.31 | 4.78 | 2.16 | 11.98 | 5.12 | 2.34 | 13.02 | 5.29 | 2.46 | 14.00 | 5.15 | 2.72 | 16.16 | 5.50 | 2.94 |
| | 40°C | 8.05 | 4.70 | 1.71 | 9.16 | 4.72 | 1.94 | 10.27 | 4.74 | 2.17 | 11.00 | 4.75 | 2.32 | 12.11 | 4.77 | 2.54 | 13.59 | 4.80 | 2.83 |
| | 46°C | 7.00 | 4.70 | 1.49 | 7.92 | 4.73 | 1.67 | 8.84 | 4.74 | 1.86 | 9.45 | 4.75 | 1.99 | 10.38 | 4.75 | 2.19 | 11.62 | 4.74 | 2.45 |

▼ Alféa Excellia HP A.I. Tri 15 and alféa Excellia HP Duo A.I. Tri 15

| | | Starting temperature | | | | | | | | | | | | | | | | | |
|---------------------|------|----------------------|------|------|-------|------|------|-------|------|------|-------|------|------|-------|------|------|-------|------|------|
| | | 7°C | | | 10°C | | | 13°C | | | 15°C | | | 18°C | | | 22C | | |
| | | CC | IP | EER | CC | IP | EER | CC | IP | EER | CC | IP | EER | CC | IP | EER | CC | IP | EER |
| Outdoor temperature | 20°C | 9.61 | 3.30 | 2.91 | 11.61 | 3.54 | 3.28 | 13.50 | 3.72 | 3.63 | 14.68 | 3.82 | 3.84 | 16.37 | 3.90 | 4.20 | 18.41 | 3.94 | 4.67 |
| | 25°C | 9.51 | 3.71 | 2.56 | 11.34 | 3.87 | 2.93 | 13.09 | 4.00 | 3.27 | 14.21 | 4.07 | 3.49 | 15.84 | 4.13 | 3.84 | 17.89 | 4.18 | 4.28 |
| | 30°C | 9.01 | 3.91 | 2.30 | 10.69 | 4.12 | 2.59 | 12.31 | 4.30 | 2.86 | 13.37 | 4.39 | 3.05 | 14.93 | 4.40 | 3.39 | 16.87 | 4.56 | 3.70 |
| | 35°C | 8.50 | 4.11 | 2.07 | 10.03 | 4.37 | 2.30 | 11.53 | 4.59 | 2.51 | 12.52 | 4.71 | 2.66 | 14.00 | 4.66 | 3.00 | 15.83 | 4.94 | 3.20 |
| | 40°C | 7.96 | 4.57 | 1.74 | 9.15 | 4.62 | 1.98 | 10.34 | 4.66 | 2.22 | 11.15 | 4.70 | 2.37 | 12.38 | 4.74 | 2.61 | 14.02 | 4.80 | 2.92 |
| | 46°C | 7.10 | 4.84 | 1.47 | 8.13 | 4.86 | 1.67 | 9.13 | 4.84 | 1.89 | 9.78 | 4.81 | 2.03 | 10.73 | 4.74 | 2.26 | 11.94 | 4.60 | 2.60 |

▼ Alféa Excellia HP A.I. Tri 17 and alféa Excellia HP Duo A.I. Tri 17

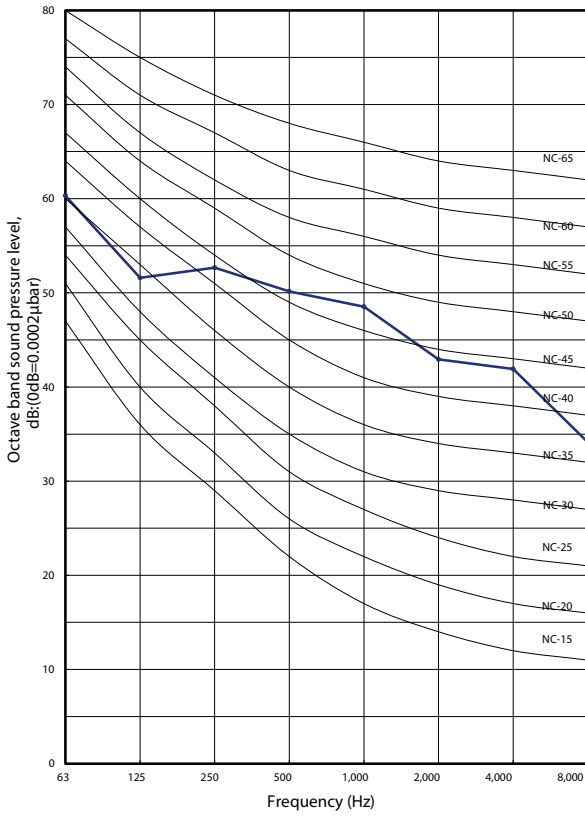
| | | Starting temperature | | | | | | | | | | | | | | | | | |
|---------------------|------|----------------------|------|------|-------|------|------|-------|------|------|-------|------|------|-------|------|------|-------|------|------|
| | | 7°C | | | 10°C | | | 13°C | | | 15°C | | | 18°C | | | 22C | | |
| | | CC | IP | EER | CC | IP | EER | CC | IP | EER | CC | IP | EER | CC | IP | EER | CC | IP | EER |
| Outdoor temperature | 20°C | 10.17 | 3.52 | 2.89 | 12.22 | 3.80 | 3.22 | 14.12 | 4.01 | 3.52 | 15.30 | 4.12 | 3.71 | 16.95 | 4.23 | 4.01 | 18.92 | 4.29 | 4.41 |
| | 25°C | 10.07 | 3.96 | 2.54 | 11.93 | 4.15 | 2.87 | 13.69 | 4.31 | 3.18 | 14.81 | 4.39 | 3.37 | 16.41 | 4.48 | 3.66 | 18.38 | 4.55 | 4.04 |
| | 30°C | 9.54 | 4.18 | 2.28 | 11.25 | 4.42 | 2.55 | 12.88 | 4.63 | 2.78 | 13.93 | 4.74 | 2.94 | 15.46 | 4.77 | 3.24 | 17.33 | 4.97 | 3.49 |
| | 35°C | 9.00 | 4.39 | 2.05 | 10.56 | 4.69 | 2.25 | 12.06 | 4.94 | 2.44 | 13.04 | 5.08 | 2.57 | 14.50 | 5.05 | 2.87 | 16.27 | 5.38 | 3.02 |
| | 40°C | 8.43 | 4.88 | 1.73 | 9.63 | 4.95 | 1.95 | 10.82 | 5.02 | 2.16 | 11.62 | 5.07 | 2.29 | 12.82 | 5.14 | 2.49 | 14.41 | 5.23 | 2.76 |
| | 46°C | 7.52 | 5.17 | 1.45 | 8.56 | 5.21 | 1.64 | 9.55 | 5.21 | 1.83 | 10.19 | 5.19 | 1.96 | 11.11 | 5.14 | 2.16 | 12.27 | 5.01 | 2.45 |

CC : Cooling capacity (kW)
 IP : Input power (kW)
 EER : Energy Efficiency Ratio

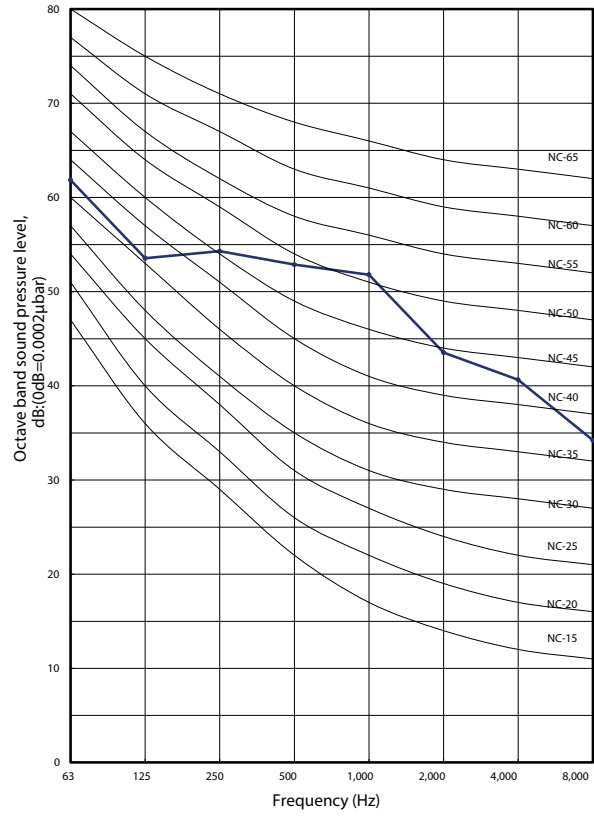
Sound power of the outdoor unit

► Sound power curves in heating mode

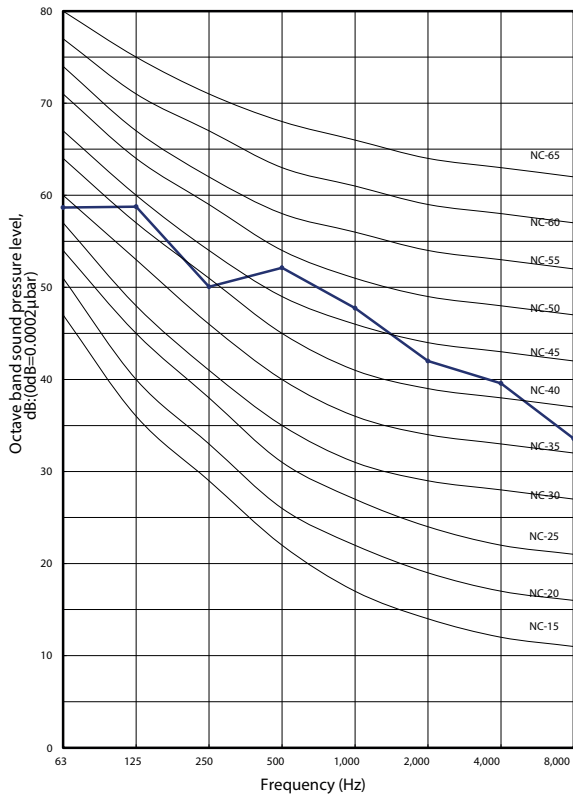
WOYG160LJL_Heating_A7W35



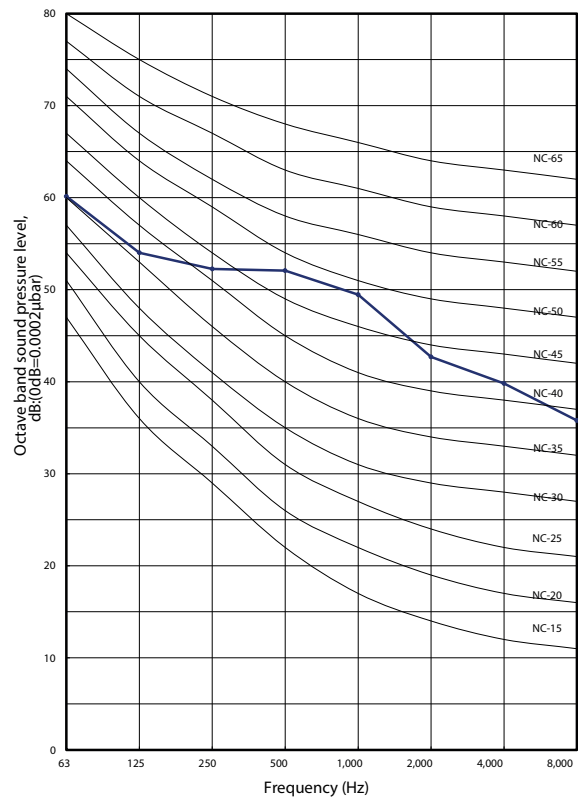
WOYG160LJL_Heating_A7W55



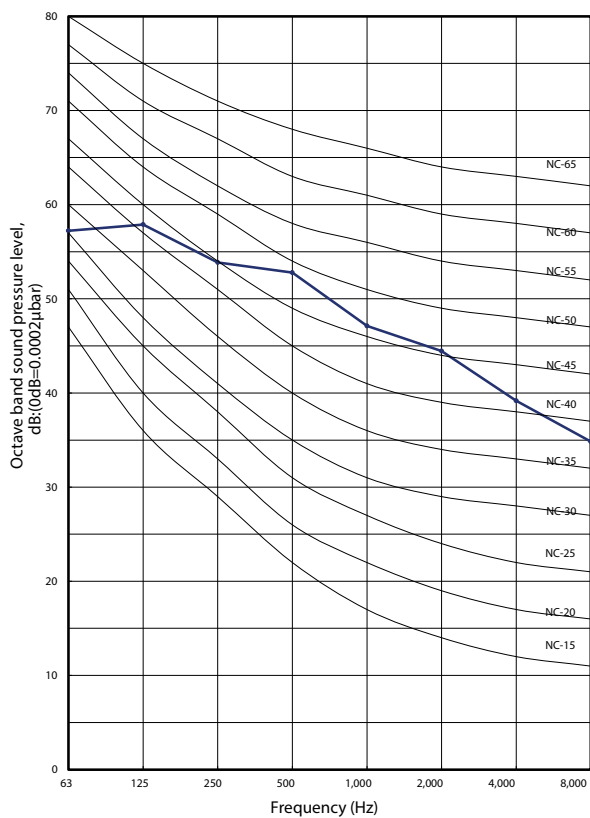
WOYK150LJL_Heating_A7W35



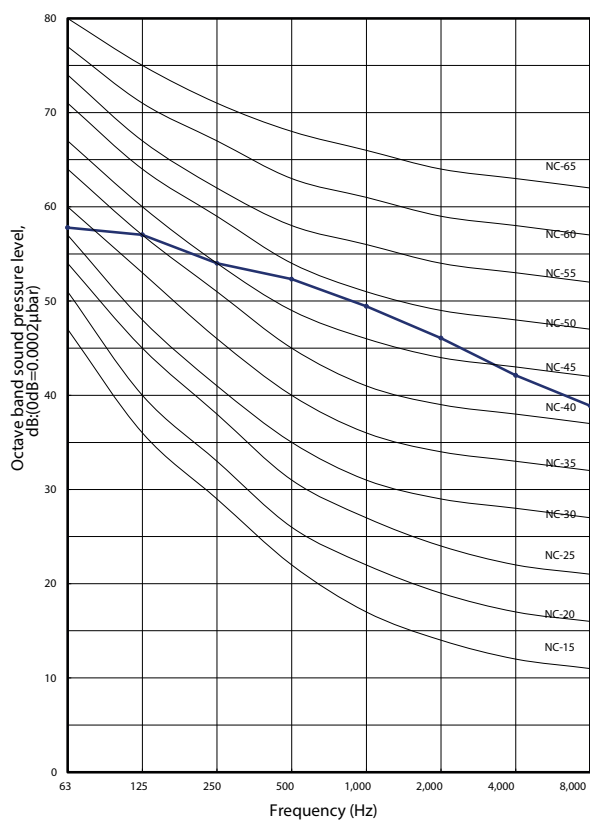
WOYK150LJL_Heating_A7W55



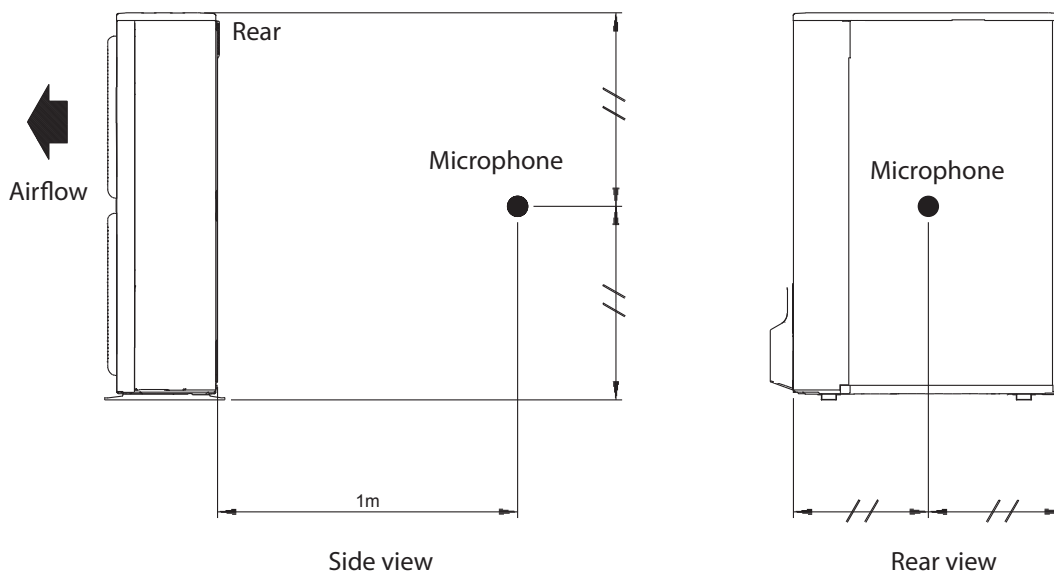
WOYK170LJL_Heating_A7W35



WOYK170LJL_Heating_A7W55



► Sound level check point

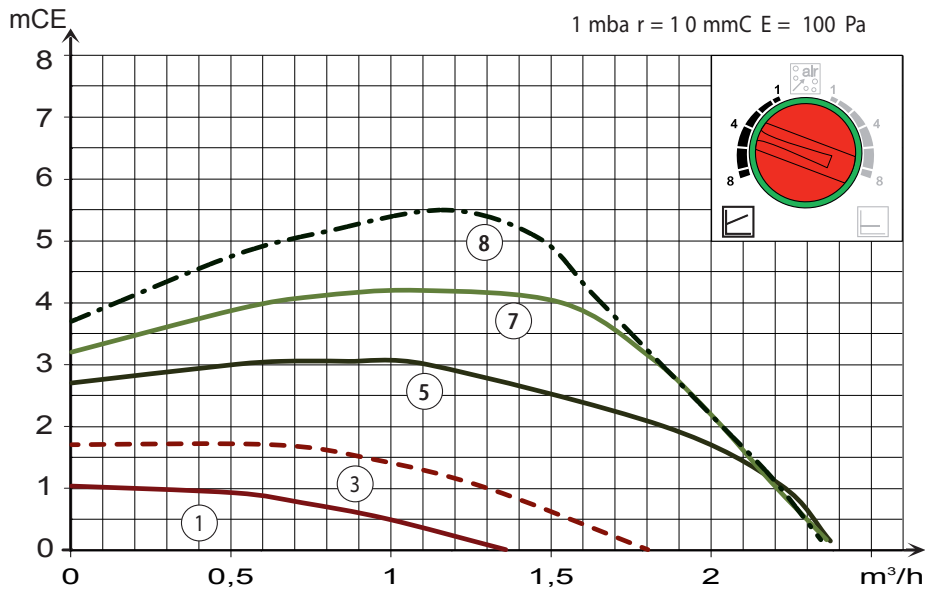


NOTE : Detailed shape of the actual outdoor unit might be slightly different from the one illustrated above.

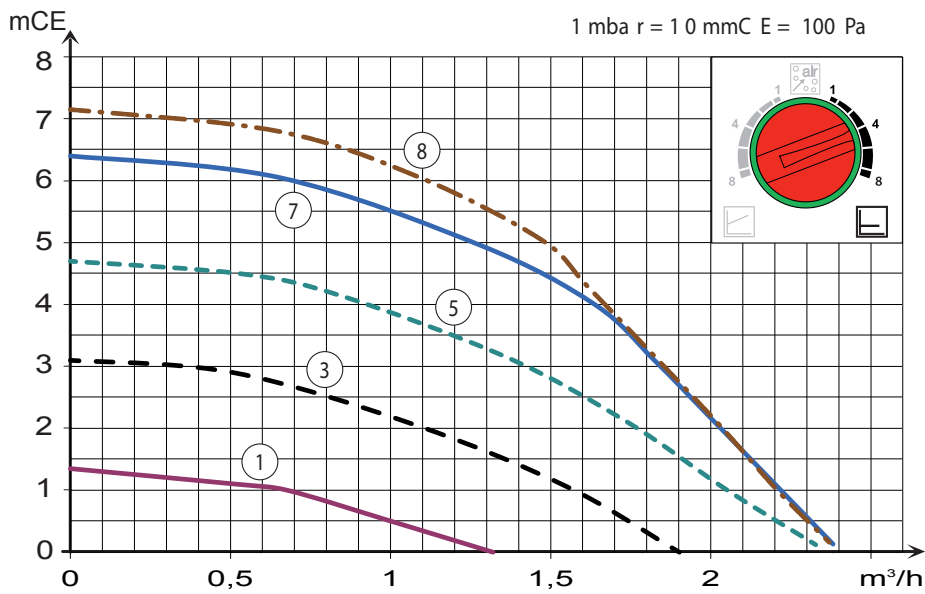
Hydraulic circuit

► Available pressure

Variable pressure



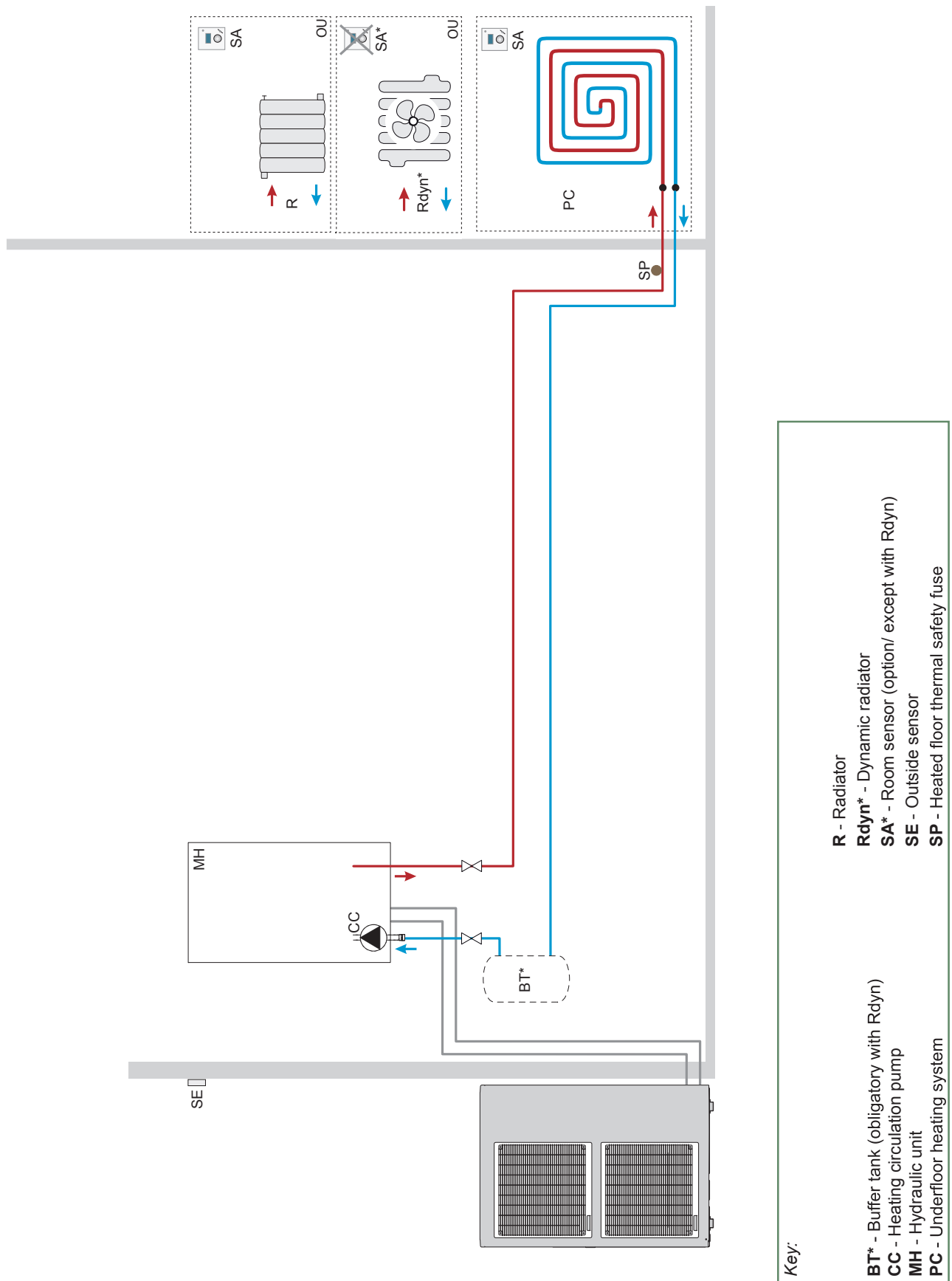
Constant pressure



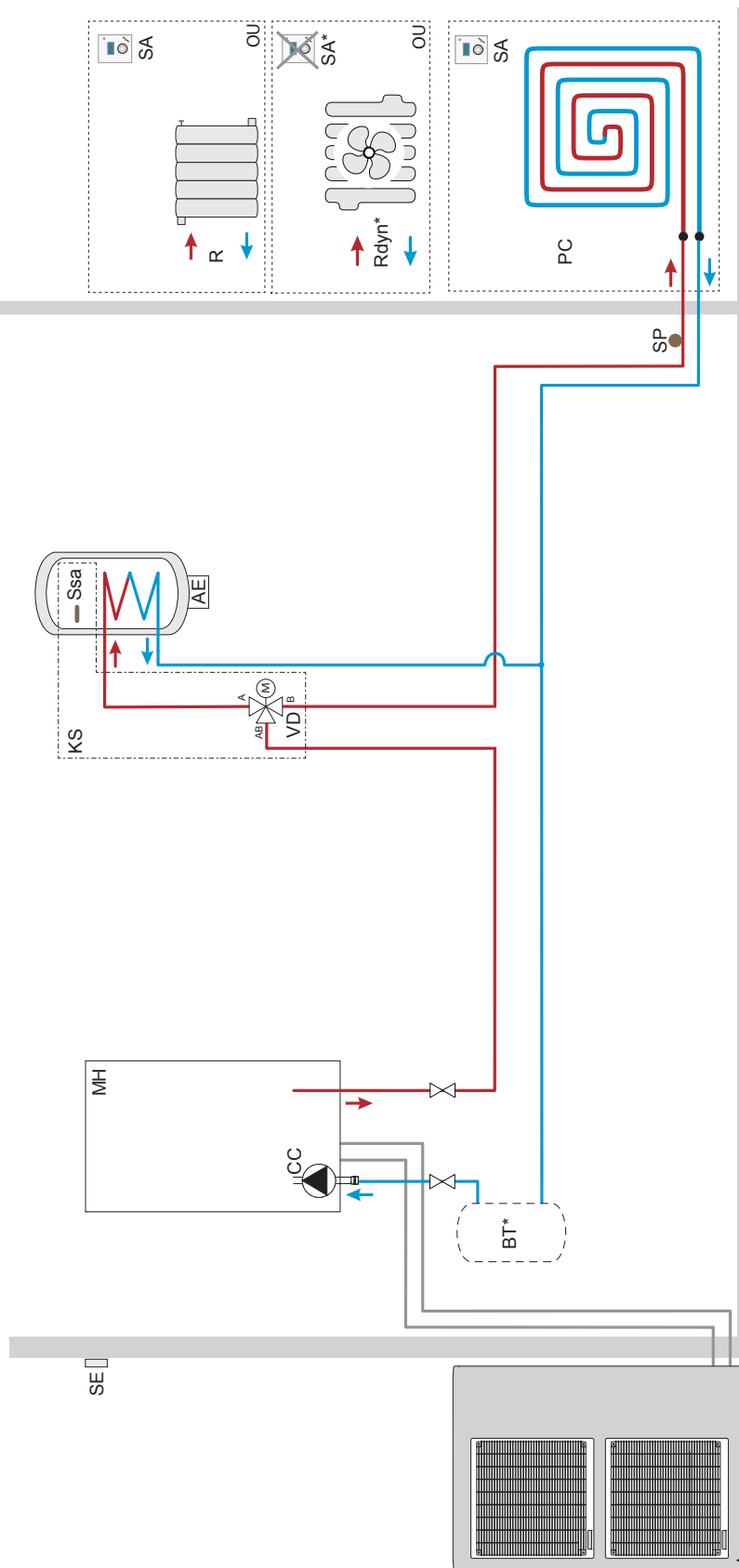
► Overall hydraulic layout

Model 1 service

■ Configuration 1 : 1 heating circuit



■ Configuration 1 : 1 heating circuit and DHW tank

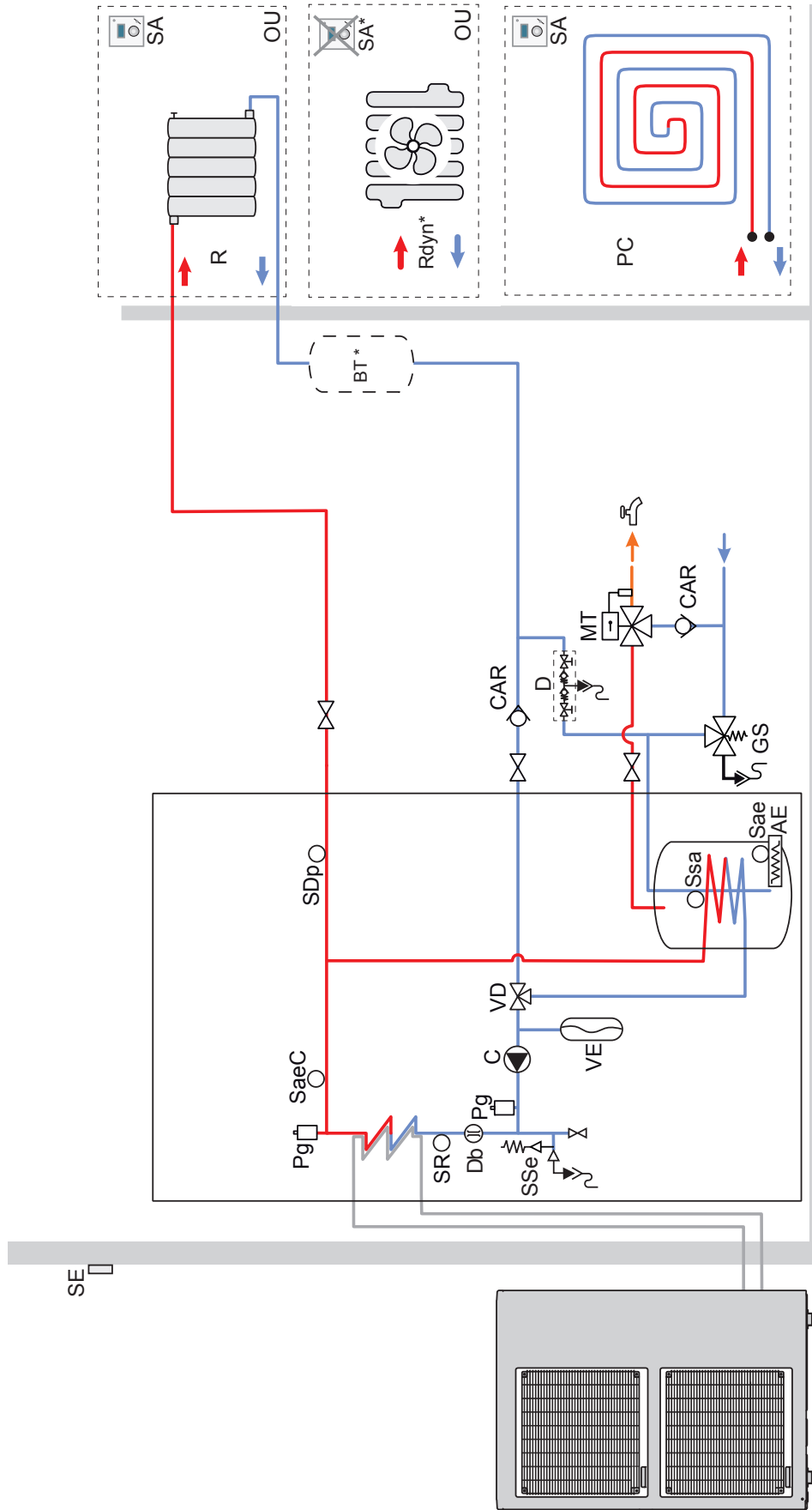


Key:

| | |
|---|---|
| AE - Electrical backup | R - Radiator |
| BT* - Buffer tank (obligatory with Rdyn, if HP>11kW) | Rdyn* - Dynamic radiator |
| CC - Heating circulation pump | SA* - Room sensor (option/ except with Rdyn) |
| KS - DHW kit | SSa - Hot water sensor |
| MH - Hydraulic unit | SE - Outside sensor |
| PC - Underfloor heating system | SP - Heated floor thermal safety fuse |
| | VD - Distribution valve |

Model 2 services

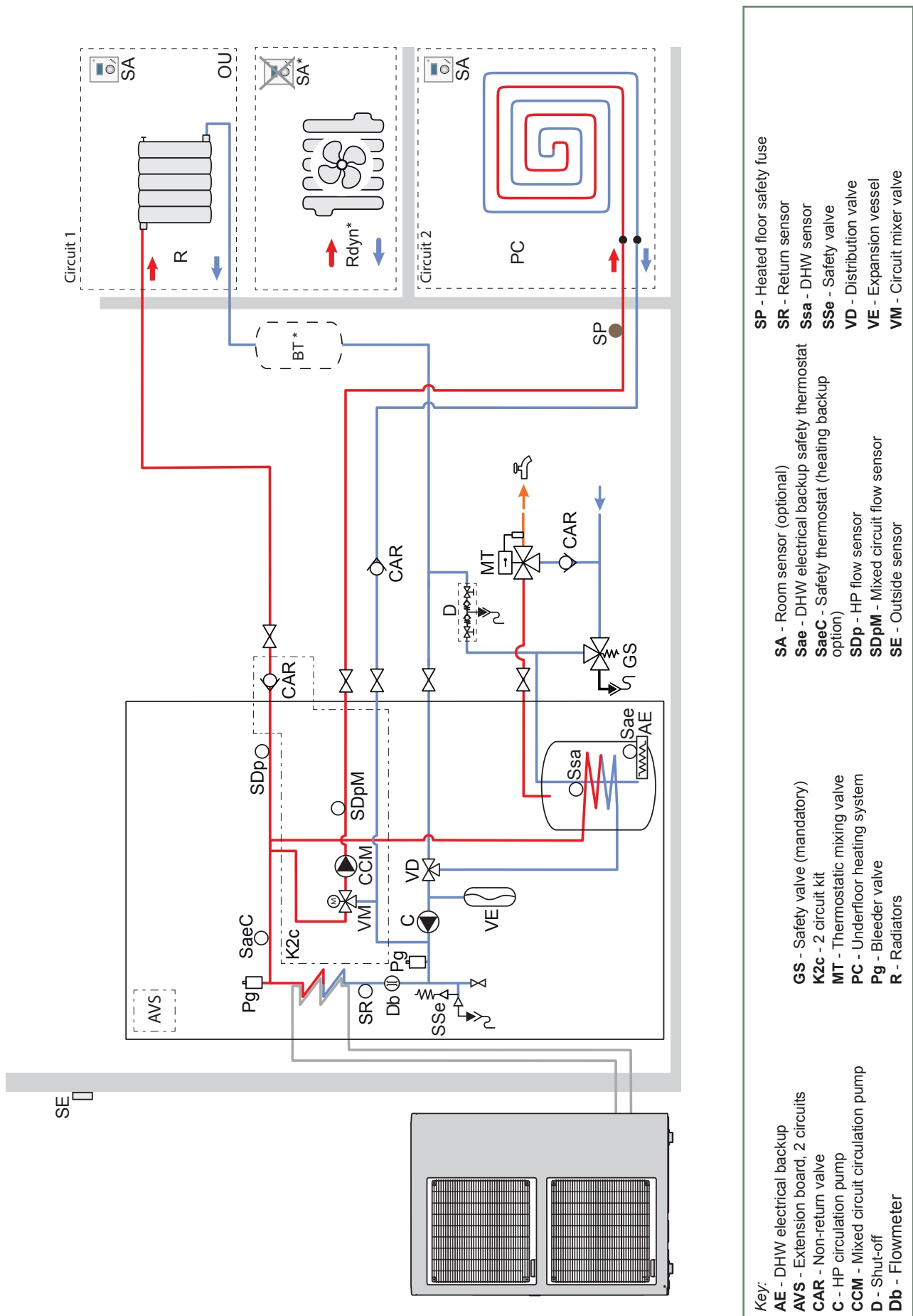
■ Configuration : 1 heating circuit



Key:

- AE - DHW electrical backup
- CAR - Non-return valve
- C - HP circulation pump
- CCM - Mixed circuit circulation pump
- D - Shut-off
- Db - Flowmeter
- GS - Safety valve (mandatory)
- MT - Thermostatic mixing valve
- PC - Underfloor heating system
- Pg - Bleeder valve
- R - Radiators
- SA - Room sensor (optional)
- Sae - DHW electrical backup safety thermostat
- SaeC - Safety thermostat (heating backup option)
- SDp - HP flow sensor
- SE - Outside sensor
- SR - Return sensor
- Ssa - DHW sensor
- SSe - Safety valve
- VD - Distribution valve
- VE - Expansion vessel

■ Configuration : 2 heating circuits



Options

| Function | Name | Reference |
|--|--|-----------|
| Regulation-Hydraulic | Navilink A59 | 074 208 |
| | Navilink A75 | 074 213 |
| | Navilink A78 | 074 214 |
| | A.I. Cozytouch kit | 501 000 |
| | Alféa HP 1S 2 Zones kit | 500 097 |
| | A.I Cooling kit | 075 328 |
| | Connection kit Alféa HP | 072 887 |
| | Alféa DHW kit | 073 991 |
| | Bottle decoupling | 073 957 |
| Buffer tank | BT 25 | 700 436 |
| | BT 50 | 700 437 |
| Other | High flow rate circulating pump kit ⁽¹⁾ | 074 077 |
| Accessories for outdoor unit | Anti-vibration blocks (x 4) | 523 574 |
| | Wall bracket 600 mm (x 2) | 809 536 |
| | Raised floor support (available 2nd semester 2018) | 072 889 |
| | Heater for drain pan | 809 644 |
| | Alféa HP drain pan (available 2nd semester 2018) | 072 888 |
| Refrigerant pipes ⁽²⁾ | KM1 5M 5/8"-3/8" | 809 565 |
| | KM1 7M 5/8"-3/8" | 809 567 |
| | KM1 10M 5/8"-3/8" | 809 570 |
| | KM1 25M 5/8"-3/8" | 809 575 |
| Protection pipes for refrigerant pipes | GO 80x60 (8 lg. de 2 m) | 809 709 |
| | GO 80x60 (2 lg. de 2 m) | 809 716 |
| | CGO 80x60 (x5) | 809 723 |
| | PMC 80x60 (x5) | 809 729 |

⁽¹⁾ High flow rate circulating pump kit incompatible with 2 zones kit.

⁽²⁾ For better protection of isolant against UV, Atlantic recommend install protection pipes with the refrigerant pipes.



This equipment complies with:

- Low Voltage Directive 2014/35/EC in accordance with NF EN 60335-1, NF EN 60335-2-40, NF EN 60529, NF EN 60529/A2 (PI) standards,
- Electromechanical Compatibility Directive 2014/30/EC,
- Machines Directive 2006/42/EC,
- Pressure Equipment Directive 2014/68/EC in accordance with NF EN 378-2 standard,
- Ecodesign Directive 2009/125/EC,
- Energy Labelling Directive 2010/30/EC.

This appliance also complies with :

- Decree No. 92-1271 (and its modifications) relating to certain refrigeration fluids used in refrigeration and air conditioning equipment.
- Regulation 842/2006 of the European Parliament on certain fluorinated greenhouse gases.
- Standards relating to the product and testing methods used: Air-conditioners, liquid chiller units and heat pumps with a compressor driven by an electric motor for heating and refrigeration EN 14511-1, EN 14511-2, EN 14511-3, EN 14511-4.
- EN 12102 standard: Air-conditioners, heat pumps and dehumidifiers with compressor driven by electric motor. Measurement of airborne noise. Determination of the level of sound power.



This appliance is marked with this symbol. It means that all electrical and electronic products must be strictly separated from household waste.

A specific recovery system for this type of product is in place in the countries of the European Union (*), Norway, Iceland and Liechtenstein.

Do not attempt to dismantle this product yourself. This can have adverse effects on your health and on the environment.

Refrigerant liquid, oil and other parts must be reprocessed by a qualified installer in accordance with applicable local and national laws.

In terms of recycling, this appliance must be processed by a specialised service and must not, under any circumstances, be thrown out with household waste, bulky waste or at a tip.

Please contact your heating engineer or After Sales service for further information.

* Depending on the national regulations of each member state.