

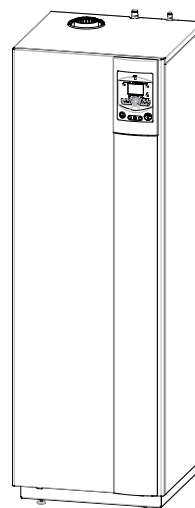
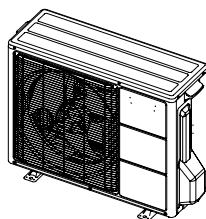
TECHNICAL DATA

EN

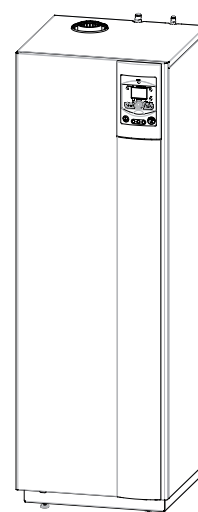
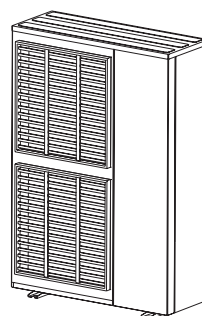
Alféa hybrid duo gaz

Air/water heat pump with integrated gas burner, split,
2 services

alféa hybrid duo gaz R6
alféa hybrid duo gaz R8



alféa hybrid duo gaz 11 monophasé
alféa hybrid duo gaz 14+ monophasé
alféa hybrid duo gaz 11 triphasé
alféa hybrid duo gaz 14 triphasé
alféa hybrid duo gaz 16 triphasé



Sommaire

General description	3
Table of dimensions and weight	3
Drawing of the heat pump	3
Connection pipes.	7
Recommended operation range	7
ERP datas	8
Performances	9
Nominal performances tables (Heating mode)	9
Nominal performances tables in cooling mode	16
Sound power of the outdoor unit	17
Sound power curves in heating mode	17
Sound level check point	19
Éléments de sécurité	20
Outdoor unit.	20
Hydraulic module.	20
Hydraulic circuit	21
Available pressure	21
Overall hydraulic layout	22
Options	24

General description

► Table of dimensions and weight

For more information, please refer to the instructions sheets 1750 and 1751.

	alféa hybrid duo gaz R6	alféa hybrid duo gaz R8
Reference	522 597	522 598
Name of the outdoor unit	WOYA060LFCA	WOYA080LFCA
Reference of the outdoor unit	700 171	700 172
Dimensions h x l x p (mm)	622 x 790 x 290	
Operating weight (kg)	41	42
Reference of the Hydraulic unit	021 212	021 213
Dimensions h x l x p (mm)	1800 x 598 x 647	
Weight vacuum / water (kg)	135 / 278	

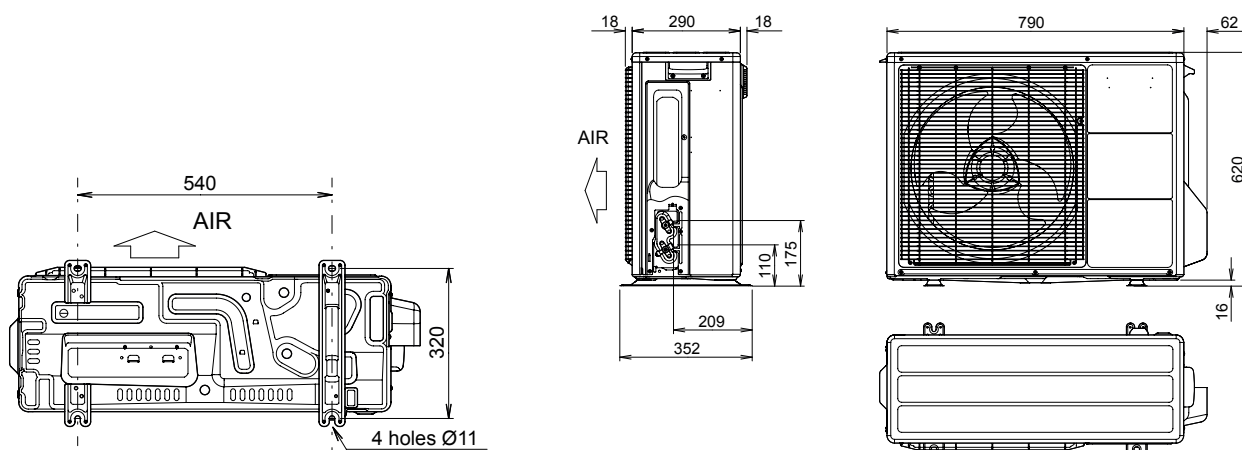
	Single phase		3-phase		
	alféa hybrid duo gaz 11	alféa hybrid duo gaz 14+	alféa hybrid duo gaz tri 11	alféa hybrid duo gaz tri 14	alféa hybrid duo gaz tri 16
Reference	522 524	522 525	522 473	522 474	522 475
Name of the outdoor unit	WOYG112LHT	WOYG140LCTA	WOYK112LCTA	WOYK140LCTA	WOYK160LCTA
Reference of the outdoor unit	700 197	700 175	700 176	700 177	700 178
Dimensions h x l x p (mm)	1290 x 977 x 400	1290 x 977 x 400	1290 x900x400	1290 x900x400	1290 x900x400
Operating weight (kg)	92	92	99	99	99
Reference of the Hydraulic unit	024 216				
Dimensions h x l x p (mm)	1828 x 598 x 647				
Weight vacuum / water (kg)	135 / 278				

► Drawing of the heat pump

▼ Dimensional drawing

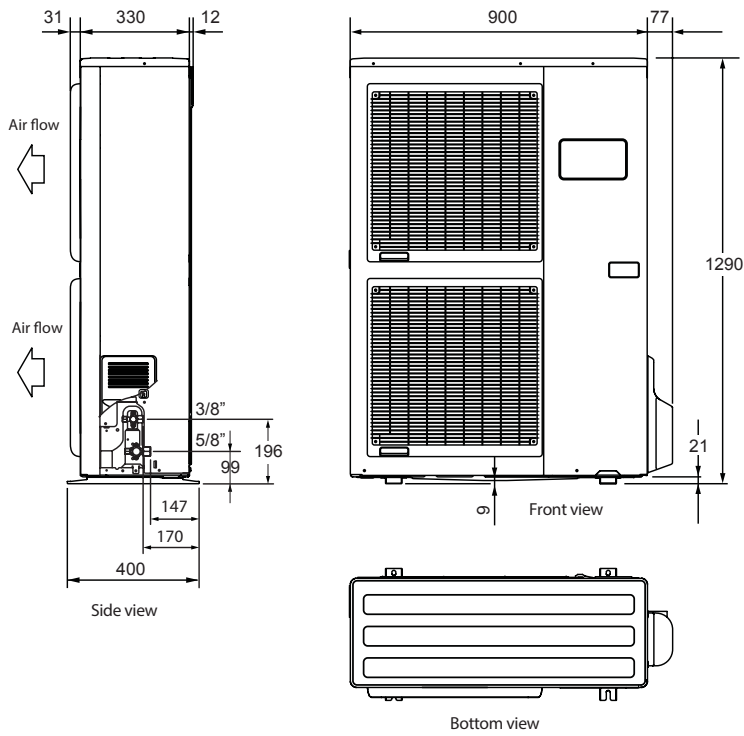
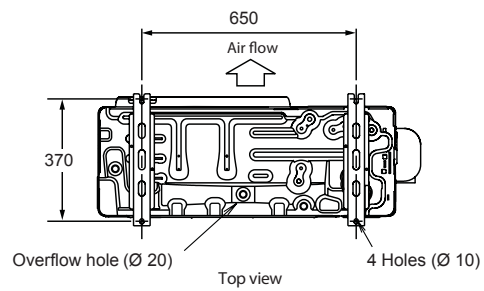
Outdoors units

- Models R6 / R8



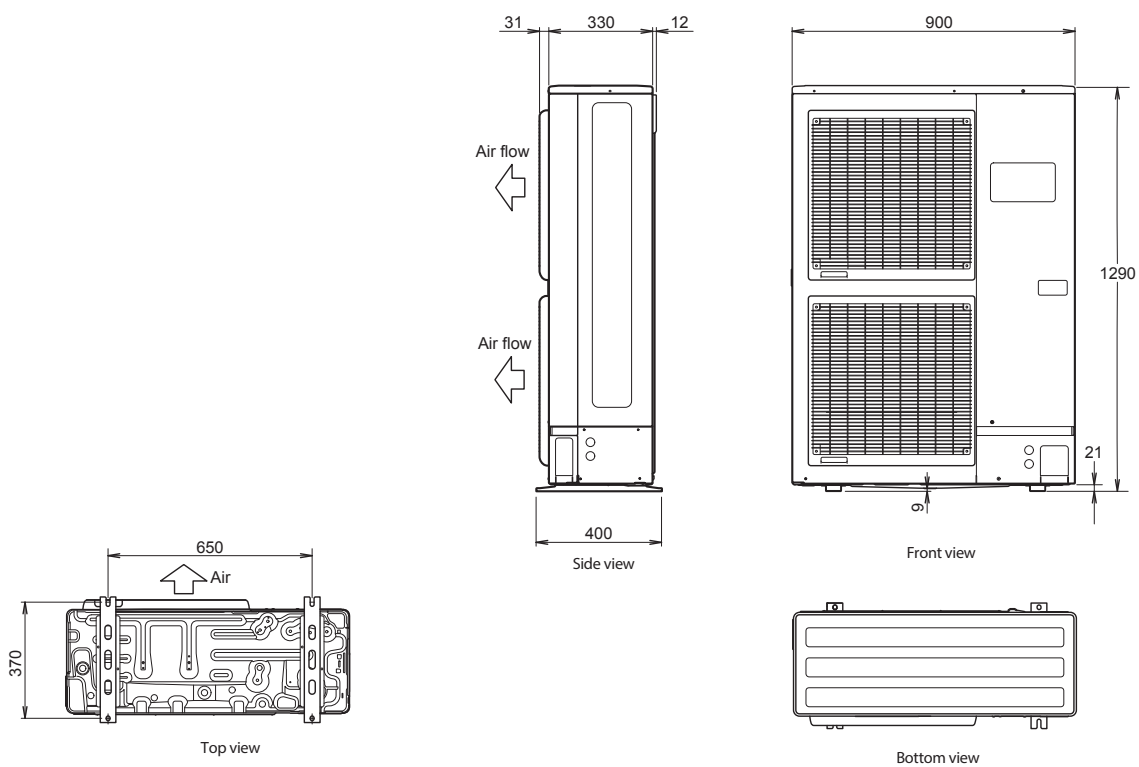
Unit = mm

models single phase



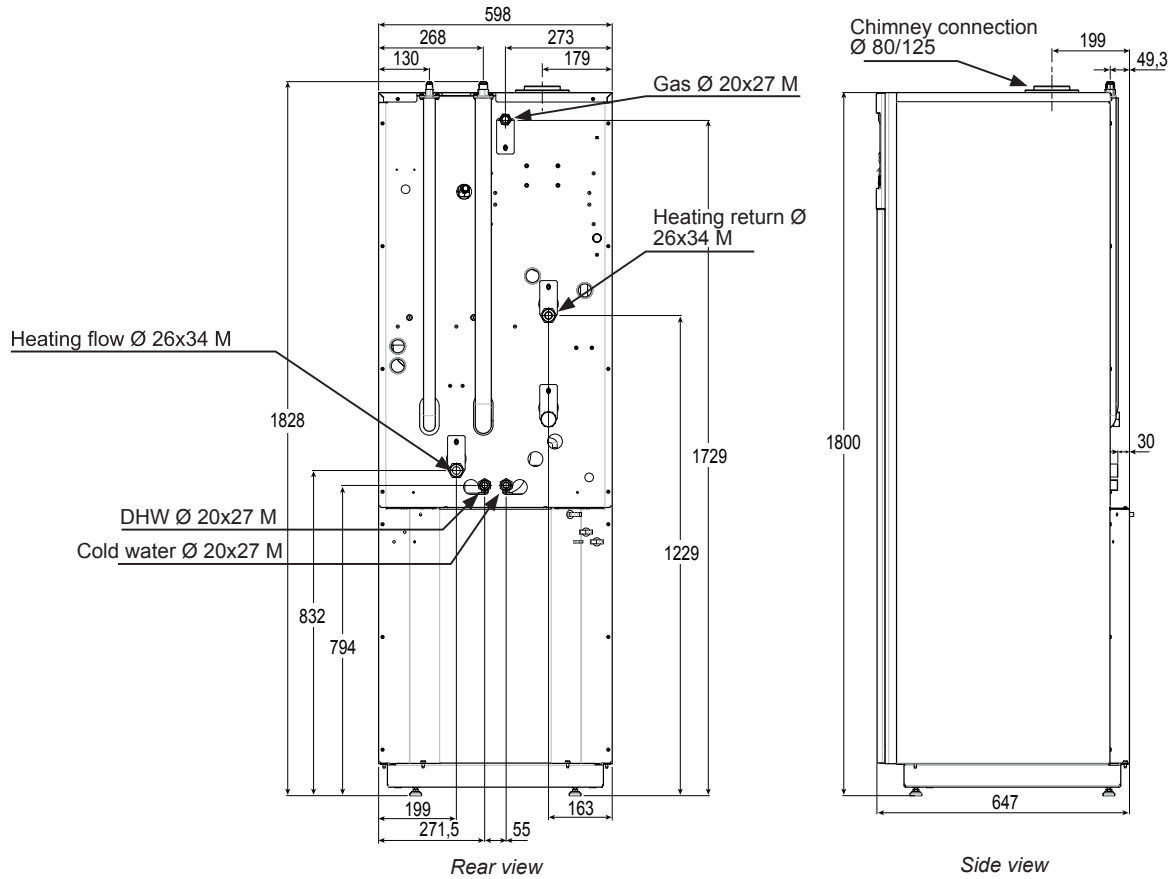
Unit = mm

models 3-phase



Unit = mm

Hydraulic units

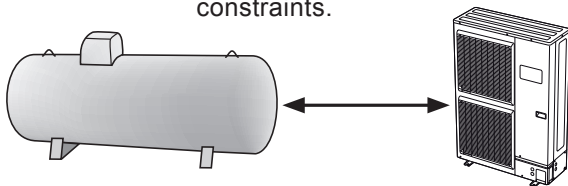


▼ Installation place

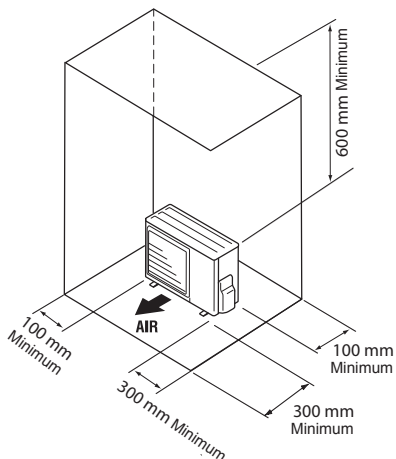
Outdoors units :

The outdoor unit must only be installed outside. If a shelter is required, it must have broad openings on all 4 sides and following the installation conditions below.

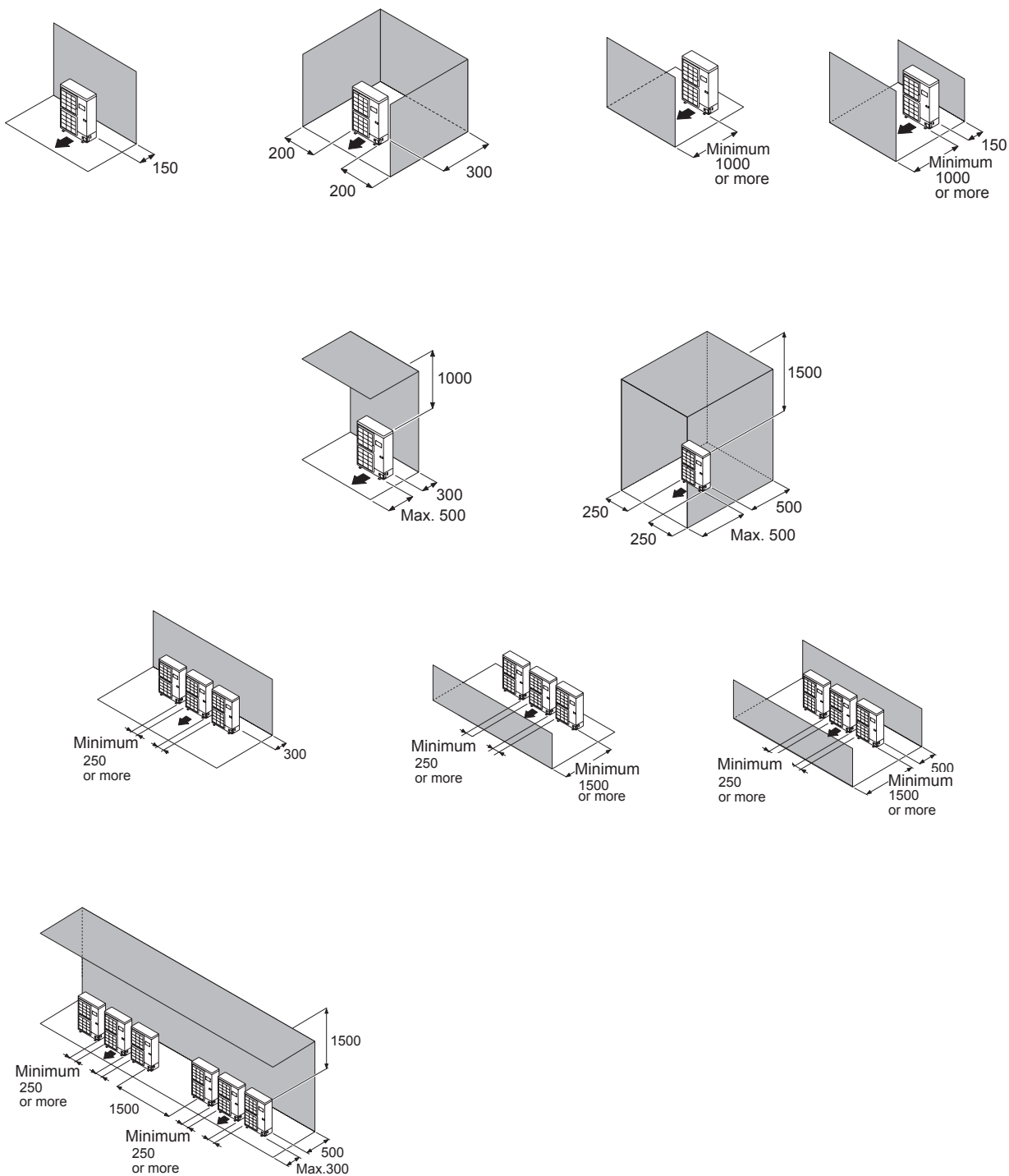
Contact your energy distributor for the installation constraints.



Models R6 et R8

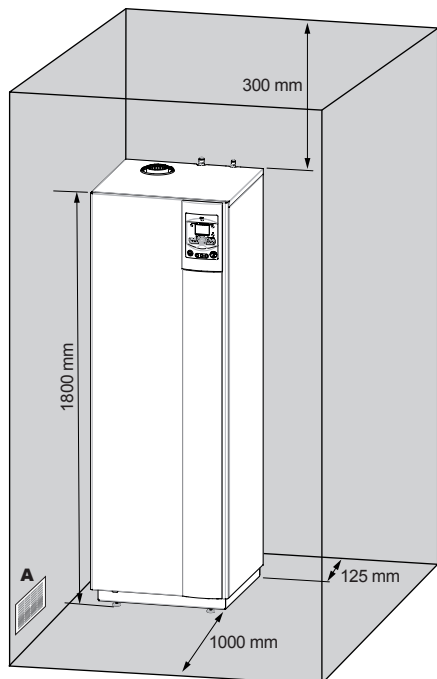


The others models



unit = mm

Hydraulic units



(A) Only on B23, B23P configurations : direct or indirect new air flow.

In accordance with EN 378-1 -2017 standard (Refrigerating systems and heat pumps - Safety and environmental requirements), the system's hydraulic unit and all refrigeration connections passing through inhabited areas must comply with the minimum room volume requirements shown hereafter.

The minimum volume of a room (in m³) is calculated using the formula: «fluid fill load» (in kg) / 0.39.

Alternatively, you must ensure that

--the location has natural ventilation through another room where the combined volume of the two rooms is greater than «liquid fill load» (in kg) / 0.39 kg/m³. The opening between the two rooms must have a door clearance of at least 1 cm.

--or that the location is mechanically ventilated.

► Connection pipes

	alféa hybrid duo gaz R6	alféa hybrid duo gaz R8
Input and Output Circuit heating diameters (male thread) (inch)	1"	1"
Diameter of «Gaz» pipes (inch)	1/2"	5/8"
Diameter of «Liquid» pipes (inch)	1/4"	1/4"

	Single phase		3-phase		
	alféa hybrid duo gaz 11	alféa hybrid duo gaz 14+	alféa hybrid duo gaz tri 11	alféa hybrid duo gaz tri 14	alféa hybrid duo gaz tri 16
Input and Output Circuit heating diameters (male thread) (inch)	1"	1"	1"	1"	1"
Diameter of «Gaz» pipes (inch)	5/8"	5/8"	5/8"	5/8"	5/8"
Diameter of «Liquid» pipes (inch)	3/8"	3/8"	3/8"	3/8"	3/8"

► Recommended operation range

Hydraulic unit	Min. / Max. outdoor temperatures thermodynamic stage	-25°C / 35 °C
	Max. water temperature for start of heating thermodynamic mode	55 °C
	Max. water temperature for start of heating	80 °C

► ERP datas

	alféa hybrid duo gaz R6	alféa hybrid duo gaz R8
Energy class - heating (55°C)	A+	A+
Rated heat output (55°C) (kW)	5	6
Energy seasonal efficiency - heating (35° / 55°) (%)	115	118
Annual energy consumption - heating (55°C) (kWh)	3180	3836
Acoustic power (indoor / outdoor) (dBA)	46 / 63	46 / 69
Declared load profile - DHW	XXL	XXL
Energy class - DHW	B	B
Annual energy consumption - DHW (kWh)	6446	6446
Water heating energy efficiency - DHW (%)	74	74

	Single phase		3-phase		
	alféa hybrid duo gaz 11	alféa hybrid duo gaz 14+	alféa hybrid duo gaz tri 11	alféa hybrid duo gaz tri 14	alféa hybrid duo gaz tri 16
Energy class - heating	A+	A+	A+	A+	A+
Rated heat output (kW)	9	11	9	11	13
Energy seasonal efficiency - heating (%)	112	113	112	117	117
Annual energy consumption - heating (kWh)	6623	8041	6669	7803	9062
Acoustic power (indoor / outdoor) (dBA)	46 / 69	46 / 70	46 / 68	46 / 68	46 / 69
Declared load profile - DHW	XXL	XXL	XXL	XXL	XXL
Energy class - DHW	B	B	B	B	B
Annual energy consumption - DHW (kWh)	6446	6446	6446	6446	6446
Water heating energy efficiency - DHW (%)	74	74	74	74	74

Performances

► Nominal performances tables (Heating mode)

▼ Alféa hybrid duo gaz R6

Test conditions comply with EN 14-511.

(defrosting included)

		Starting temperature																				
		25°C			30°C			35°C			40°C			45°C			50°C			55°C		
		IP	HC	COP	IP	HC	COP	IP	HC	COP	IP	HC	COP	IP	HC	COP	IP	HC	COP	IP	HC	COP
Outdoor temperature	35°C	0.85	6.90	8.12	0.88	6.45	7.33	0.91	6.00	6.59	0.95	5.55	5.84	1.01	5.10	5.05	1.11	4.80	4.32	1.25	4.50	3.60
	34°C	0.84	6.90	8.21	0.88	6.45	7.33	0.92	6.00	6.52	0.96	5.55	5.78	1.01	5.10	5.05	1.12	4.80	4.29	1.26	4.50	3.57
	33°C	0.86	6.90	8.02	0.89	6.45	7.25	0.92	6.00	6.52	0.97	5.55	5.72	1.02	5.10	5.00	1.13	4.80	4.25	1.27	4.50	3.54
	32°C	0.87	6.90	7.93	0.90	6.45	7.17	0.93	6.00	6.45	0.98	5.55	5.66	1.03	5.10	4.95	1.13	4.80	4.25	1.28	4.50	3.52
	31°C	0.88	6.90	7.84	0.91	6.45	7.09	0.94	6.00	6.38	0.99	5.55	5.61	1.04	5.10	4.90	1.14	4.80	4.21	1.29	4.50	3.49
	30°C	0.87	6.90	7.93	0.91	6.45	7.09	0.95	6.00	6.32	0.99	5.55	5.61	1.05	5.10	4.86	1.15	4.80	4.17	1.30	4.50	3.46
	29°C	0.88	6.90	7.84	0.92	6.45	7.01	0.96	6.00	6.25	1.00	5.55	5.55	1.06	5.10	4.81	1.16	4.80	4.14	1.31	4.50	3.44
	28°C	0.89	6.90	7.75	0.93	6.45	6.94	0.97	6.00	6.19	1.01	5.55	5.50	1.06	5.10	4.81	1.17	4.80	4.10	1.32	4.50	3.41
	27°C	0.90	6.90	7.67	0.94	6.45	6.86	0.98	6.00	6.12	1.02	5.55	5.44	1.07	5.10	4.77	1.18	4.80	4.07	1.33	4.50	3.38
	26°C	0.92	6.90	7.50	0.95	6.45	6.79	0.98	6.00	6.12	1.03	5.55	5.39	1.08	5.10	4.72	1.19	4.80	4.03	1.34	4.50	3.36
	25°C	0.93	6.90	7.42	0.96	6.45	6.72	0.99	6.00	6.06	1.04	5.55	5.34	1.09	5.10	4.68	1.20	4.80	4.00	1.35	4.50	3.33
	24°C	0.94	6.90	7.34	0.97	6.45	6.65	1.00	6.00	6.00	1.05	5.55	5.29	1.10	5.10	4.64	1.21	4.80	3.97	1.36	4.50	3.31
	23°C	0.95	6.90	7.26	0.98	6.45	6.58	1.01	6.00	5.94	1.06	5.55	5.24	1.11	5.10	4.59	1.22	4.80	3.93	1.37	4.50	3.28
	22°C	0.94	6.90	7.34	0.98	6.45	6.58	1.02	6.00	5.88	1.07	5.55	5.19	1.12	5.10	4.55	1.23	4.80	3.90	1.38	4.50	3.26
	21°C	0.97	6.90	7.11	1.00	6.45	6.45	1.03	6.00	5.83	1.08	5.55	5.14	1.13	5.10	4.51	1.24	4.80	3.87	1.39	4.50	3.24
	20°C	0.96	6.90	7.19	1.00	6.45	6.45	1.04	6.00	5.77	1.09	5.55	5.09	1.14	5.10	4.47	1.25	4.80	3.84	1.41	4.50	3.19
	19°C	1.00	6.90	6.90	1.03	6.45	6.26	1.06	6.00	5.66	1.11	5.55	5.00	1.16	5.10	4.40	1.28	4.80	3.75	1.43	4.50	3.15
	18°C	1.02	6.90	6.76	1.05	6.45	6.14	1.08	6.00	5.56	1.13	5.55	4.91	1.18	5.10	4.32	1.30	4.80	3.69	1.46	4.50	3.08
	17°C	1.03	6.90	6.70	1.07	6.45	6.03	1.11	6.00	5.41	1.15	5.55	4.83	1.21	5.10	4.21	1.32	4.80	3.64	1.48	4.50	3.04
	16°C	1.07	6.90	6.45	1.10	6.45	5.86	1.13	6.00	5.31	1.18	5.55	4.70	1.23	5.10	4.15	1.35	4.80	3.56	1.51	4.50	2.98
	15°C	1.08	6.90	6.39	1.12	6.45	5.76	1.16	6.00	5.17	1.20	5.55	4.63	1.26	5.10	4.05	1.37	4.80	3.50	1.54	4.50	2.92
14°C	1.12	6.90	6.16	1.15	6.45	5.61	1.18	6.00	5.08	1.23	5.55	4.51	1.28	5.10	3.98	1.40	4.80	3.43	1.56	4.50	2.88	
13°C	1.15	6.90	6.00	1.18	6.45	5.47	1.21	6.00	4.96	1.26	5.55	4.40	1.31	5.10	3.89	1.43	4.80	3.36	1.59	4.50	2.83	
12°C	1.18	6.90	5.85	1.21	6.45	5.33	1.24	6.00	4.84	1.28	5.55	4.34	1.34	5.10	3.81	1.46	4.80	3.29	1.62	4.50	2.78	
11°C	1.21	6.90	5.70	1.24	6.45	5.20	1.27	6.00	4.72	1.32	5.55	4.20	1.37	5.10	3.72	1.49	4.80	3.22	1.65	4.50	2.73	
10°C	1.24	6.90	5.56	1.27	6.45	5.08	1.30	6.00	4.62	1.34	5.55	4.14	1.40	5.10	3.64	1.52	4.80	3.16	1.69	4.50	2.66	
9°C	1.29	6.90	5.35	1.31	6.45	4.92	1.33	6.00	4.51	1.38	5.55	4.02	1.43	5.10	3.57	1.55	4.80	3.10	1.72	4.50	2.62	
8°C	1.31	6.90	5.27	1.34	6.45	4.81	1.37	6.00	4.38	1.41	5.55	3.94	1.47	5.10	3.47	1.58	4.80	3.04	1.76	4.50	2.56	
7°C	1.35	6.90	5.11	1.38	6.45	4.67	1.41	6.00	4.26	1.45	5.55	3.83	1.50	5.10	3.40	1.62	4.80	2.96	1.79	4.50	2.51	
6°C	1.40	6.90	4.93	1.42	6.45	4.54	1.44	6.00	4.17	1.49	5.55	3.72	1.54	5.10	3.31	1.66	4.80	2.89	1.83	4.50	2.46	
5°C	1.45	6.90	4.76	1.47	6.45	4.39	1.49	6.00	4.03	1.53	5.55	3.63	1.57	5.10	3.25	1.70	4.80	2.82	1.88	4.50	2.39	
4°C	1.45	6.16	4.25	1.47	5.82	3.96	1.49	5.48	3.68	1.55	5.14	3.32	1.62	4.80	2.96	1.80	4.65	2.58	2.05	4.50	2.20	
3°C	1.47	5.79	3.94	1.49	5.50	3.69	1.51	5.21	3.45	1.57	4.93	3.14	1.65	4.65	2.82	1.86	4.58	2.46	2.15	4.50	2.09	
2°C	1.49	5.41	3.63	1.51	5.18	3.43	1.53	4.95	3.24	1.60	4.73	2.96	1.69	4.50	2.66	1.93	4.50	2.33	2.26	4.50	1.99	
1°C	1.51	5.33	3.53	1.53	5.12	3.35	1.55	4.91	3.17	1.63	4.70	2.88	1.73	4.49	2.60	1.96	4.46	2.28	2.27	4.43	1.95	
0°C	1.50	5.27	3.51	1.54	5.07	3.29	1.58	4.87	3.08	1.66	4.68	2.82	1.77	4.49	2.54	1.98	4.42	2.23	2.28	4.36	1.91	
-1°C	1.52	5.19	3.41	1.56	5.01	3.21	1.60	4.83	3.02	1.69	4.66	2.76	1.81	4.48	2.48	2.01	4.38	2.18	2.28	4.28	1.88	
-2°C	1.52	5.13	3.38	1.57	4.96	3.16	1.62	4.79	2.96	1.72	4.64	2.70	1.85	4.48	2.42	2.03	4.34	2.14	2.29	4.21	1.84	
-3°C	1.53	5.04	3.29	1.59	4.90	3.08	1.65	4.76	2.88	1.75	4.62	2.64	1.88	4.47	2.38	2.06	4.31	2.09	2.30	4.14	1.80	
-4°C	1.53	4.98	3.25	1.60	4.85	3.03	1.67	4.72	2.83	1.78	4.60	2.58	1.92	4.47	2.33	2.08	4.27	2.05	2.31	4.07	1.76	
-5°C	1.55	4.90	3.16	1.62	4.79	2.96	1.69	4.68	2.77	1.81	4.57	2.52	1.96	4.46	2.28	2.11	4.23	2.00	2.31	3.99	1.73	
-6°C	1.54	4.84	3.14	1.63	4.74	2.91	1.72	4.64	2.70	1.84	4.55	2.47	2.00	4.46	2.23	2.13	4.19	1.97	2.32	3.92	1.69	
-7°C	1.56	4.76	3.05	1.65	4.68	2.84	1.74	4.60	2.64	1.87	4.53	2.42	2.04	4.45	2.18	2.16	4.15	1.92	2.33	3.85	1.65	
-8°C	1.55	4.69	3.03	1.64	4.61	2.81	1.73	4.53	2.62	1.86	4.46	2.40	2.03	4.38	2.16	2.15	4.08	1.90	2.34	3.78	1.62	
-9°C	1.54	4.62	3.00	1.63	4.54	2.79	1.72	4.46	2.59	1.85	4.39	2.37	2.02	4.32	2.14	2.14	4.02	1.88	2.35	3.71	1.58	
-10°C	1.53	4.53	2.96	1.62	4.46	2.75	1.71	4.39	2.57	1.85	4.32	2.34	2.01	4.25	2.11	2.13	3.95	1.85	2.36	3.64	1.54	
-11°C	1.52	4.46	2.93	1.61	4.39	2.73	1.70	4.32	2.54	1.84	4.25	2.31	2.00	4.18	2.09	2.12	3.88	1.83	0.00	0.00	0.00	
-12°C	1.51	4.39	2.91	1.60	4.32	2.70	1.69	4.25	2.51	1.83	4.18	2.28	1.99	4.11	2.07	2.11	3.81	1.81	0.00	0.00	0.00	
-13°C	1.51	4.32	2.86	1.60	4.25	2.66	1.69	4.18	2.47	1.82	4.11	2.26	1.98	4.05	2.05	2.10	3.74	1.78	0.00	0.00	0.00	
-14°C	1.50	4.23	2.82	1.59	4.17	2.62	1.68	4.11	2.45	1.81	4.04	2.23	1.97	3.98	2.02	2.09	3.67	1.76	0.00	0.00	0.00	
-15°C	1.49	4.16	2.79	1.58	4.10	2.59	1.67	4.04	2.42	1.80	3.97	2.21	1.96	3.91	1.99	0.00	0.00	0.00	0.00	0.00	0.00	
-16°C	1.51	4.07	2.70	1.60	4.02	2.51	1.69	3.97	2.35	1.83	3.90	2.13	1.95	3.84	1.97	0.00	0.00	0.00	0.00	0.00	0.00	
-17°C	1.53	4.01	2.62	1.62	3.95	2.44	1.71	3.89	2.27	1.85	3.82	2.06	1.94	3.77	1.94	0.00	0.00	0.00	0.00	0.00	0.00	
-18°C	1.55	3.92	2.53	1.64	3.87	2.36	1.73	3.82	2.21	1.88	3.75	1.99	1.93	3.70	1.92	0.00	0.00	0.00	0.00	0.00	0.00	
-19°C	1.56	3.84	2.46	1.66	3.79	2.28	1.76	3.74	2.13	1.90	3.67	1.93	0.00	0.00	0.00	0.00	0.00	0.00	0.00	0.00	0.00	
-20°C	1.58	3.77	2.39	1.68	3.72	2.21	1.78	3.67	2.06	1.92	3.60	1.88	0.00	0.00	0.00	0.00	0.00	0.00	0.00	0.00	0.00	

HC : Heating capacity (kW)
 IP : Input power (kW)
 COP : Coefficient of performance

▼ Alféa hybrid duo gaz R8

Performances suivant EN 14-511.

(dégivrage inclus)

	Starting temperature																				
	25°C			30°C			35°C			40°C			45°C			50°C			55°C		
	IP	HC	COP	IP	HC	COP	IP	HC	COP	IP	HC	COP	IP	HC	COP	IP	HC	COP	IP	HC	COP
35°C	1.05	8.80	8.38	1.11	8.15	7.34	1.17	7.50	6.41	1.24	6.85	5.52	1.31	6.20	4.73	1.39	5.60	4.03	1.49	5.00	3.36
34°C	1.06	8.80	8.30	1.12	8.15	7.28	1.18	7.50	6.36	1.25	6.85	5.48	1.32	6.20	4.70	1.40	5.60	4.00	1.51	5.00	3.31
33°C	1.07	8.80	8.22	1.13	8.15	7.21	1.19	7.50	6.30	1.26	6.85	5.44	1.33	6.20	4.66	1.42	5.60	3.94	1.52	5.00	3.29
32°C	1.08	8.80	8.15	1.14	8.15	7.15	1.20	7.50	6.25	1.27	6.85	5.39	1.34	6.20	4.63	1.43	5.60	3.92	1.53	5.00	3.27
31°C	1.09	8.80	8.07	1.15	8.15	7.09	1.21	7.50	6.20	1.28	6.85	5.35	1.35	6.20	4.59	1.44	5.60	3.89	1.54	5.00	3.25
30°C	1.10	8.80	8.00	1.16	8.15	7.03	1.22	7.50	6.15	1.29	6.85	5.31	1.36	6.20	4.56	1.45	5.60	3.86	1.56	5.00	3.21
29°C	1.11	8.80	7.93	1.17	8.15	6.97	1.23	7.50	6.10	1.30	6.85	5.27	1.37	6.20	4.53	1.47	5.60	3.81	1.57	5.00	3.18
28°C	1.12	8.80	7.86	1.18	8.15	6.91	1.24	7.50	6.05	1.31	6.85	5.23	1.39	6.20	4.46	1.48	5.60	3.78	1.59	5.00	3.14
27°C	1.12	8.80	7.86	1.19	8.15	6.85	1.26	7.50	5.95	1.32	6.85	5.19	1.40	6.20	4.43	1.49	5.60	3.76	1.60	5.00	3.13
26°C	1.13	8.80	7.79	1.20	8.15	6.79	1.27	7.50	5.91	1.34	6.85	5.11	1.41	6.20	4.40	1.51	5.60	3.71	1.61	5.00	3.11
25°C	1.14	8.80	7.72	1.21	8.15	6.74	1.28	7.50	5.86	1.35	6.85	5.07	1.43	6.20	4.34	1.52	5.60	3.68	1.63	5.00	3.07
24°C	1.17	8.80	7.52	1.23	8.15	6.63	1.29	7.50	5.81	1.36	6.85	5.04	1.44	6.20	4.31	1.53	5.60	3.66	1.64	5.00	3.05
23°C	1.18	8.80	7.46	1.24	8.15	6.57	1.30	7.50	5.77	1.37	6.85	5.00	1.45	6.20	4.28	1.55	5.60	3.61	1.66	5.00	3.01
22°C	1.19	8.80	7.39	1.25	8.15	6.52	1.31	7.50	5.73	1.39	6.85	4.93	1.47	6.20	4.22	1.56	5.60	3.59	1.67	5.00	2.99
21°C	1.19	8.80	7.39	1.26	8.15	6.47	1.33	7.50	5.64	1.40	6.85	4.89	1.48	6.20	4.19	1.58	5.60	3.54	1.69	5.00	2.96
20°C	1.20	8.80	7.33	1.27	8.15	6.42	1.34	7.50	5.60	1.41	6.85	4.86	1.49	6.20	4.16	1.60	5.60	3.50	1.71	5.00	2.92
19°C	1.23	8.80	7.15	1.30	8.15	6.27	1.37	7.50	5.47	1.44	6.85	4.76	1.52	6.20	4.08	1.61	5.60	3.48	1.72	5.00	2.91
18°C	1.28	8.80	6.88	1.34	8.15	6.08	1.40	7.50	5.36	1.47	6.85	4.66	1.54	6.20	4.03	1.64	5.60	3.41	1.74	5.00	2.87
17°C	1.31	8.80	6.72	1.37	8.15	5.95	1.43	7.50	5.24	1.50	6.85	4.57	1.57	6.20	3.95	1.66	5.60	3.37	1.75	5.00	2.86
16°C	1.34	8.80	6.57	1.40	8.15	5.82	1.46	7.50	5.14	1.53	6.85	4.48	1.59	6.20	3.90	1.68	5.60	3.33	1.77	5.00	2.82
15°C	1.39	8.80	6.33	1.44	8.15	5.66	1.49	7.50	5.03	1.56	6.85	4.39	1.62	6.20	3.83	1.70	5.60	3.29	1.79	5.00	2.79
14°C	1.43	8.80	6.15	1.48	8.15	5.51	1.53	7.50	4.90	1.59	6.85	4.31	1.65	6.20	3.76	1.72	5.60	3.26	1.81	5.00	2.76
13°C	1.47	8.80	5.99	1.52	8.15	5.36	1.57	7.50	4.78	1.62	6.85	4.23	1.68	6.20	3.69	1.74	5.60	3.22	1.82	5.00	2.75
12°C	1.51	8.80	5.83	1.56	8.15	5.22	1.61	7.50	4.66	1.66	6.85	4.13	1.71	6.20	3.63	1.77	5.60	3.16	1.85	5.00	2.70
11°C	1.57	8.80	5.61	1.61	8.15	5.06	1.65	7.50	4.55	1.70	6.85	4.03	1.74	6.20	3.56	1.79	5.60	3.13	1.86	5.00	2.69
10°C	1.63	8.80	5.40	1.66	8.15	4.91	1.69	7.50	4.44	1.73	6.85	3.96	1.77	6.20	3.50	1.82	5.60	3.08	1.88	5.00	2.66
9°C	1.68	8.80	5.24	1.71	8.15	4.77	1.74	7.50	4.31	1.77	6.85	3.87	1.80	6.20	3.44	1.84	5.60	3.04	1.90	5.00	2.63
8°C	1.73	8.80	5.09	1.76	8.15	4.63	1.79	7.50	4.19	1.82	6.85	3.76	1.84	6.20	3.37	1.87	5.60	2.99	1.92	5.00	2.60
7°C	1.80	8.80	4.89	1.82	8.15	4.48	1.84	7.50	4.08	1.86	6.85	3.68	1.87	6.20	3.32	1.90	5.60	2.95	1.94	5.00	2.58
6°C	1.87	8.80	4.71	1.88	8.15	4.34	1.89	7.50	3.97	1.91	6.85	3.59	1.91	6.20	3.25	1.92	5.60	2.92	1.96	5.00	2.55
5°C	1.84	8.18	4.45	1.85	7.61	4.11	1.86	7.04	3.78	1.89	6.47	3.42	1.95	6.20	3.18	1.96	5.60	2.86	1.98	5.00	2.53
4°C	1.80	7.56	4.20	1.82	7.07	3.88	1.84	6.58	3.58	1.88	6.09	3.24	1.92	5.60	2.92	2.10	5.40	2.57	2.26	5.00	2.21
3°C	1.77	6.93	3.92	1.79	6.52	3.64	1.81	6.11	3.38	1.86	5.71	3.07	1.92	5.30	2.76	2.19	5.30	2.42	2.41	5.00	2.07
2°C	1.74	6.31	3.63	1.76	5.98	3.40	1.78	5.65	3.17	1.84	5.33	2.90	1.92	5.00	2.60	2.29	5.20	2.27	2.56	5.00	1.95
1°C	1.77	6.32	3.57	1.80	5.99	3.33	1.83	5.66	3.09	1.90	5.33	2.81	1.98	5.01	2.53	2.34	5.18	2.21	2.64	5.00	1.89
0°C	1.80	6.32	3.51	1.84	5.99	3.26	1.88	5.66	3.01	1.95	5.34	2.74	2.04	5.01	2.46	2.40	5.16	2.15	2.71	5.00	1.85
-1°C	1.83	6.33	3.46	1.88	6.00	3.19	1.93	5.67	2.94	2.01	5.34	2.66	2.10	5.02	2.39	2.46	5.14	2.09	2.78	5.00	1.80
-2°C	1.86	6.33	3.40	1.92	6.00	3.13	1.98	5.67	2.86	2.06	5.35	2.60	2.16	5.02	2.32	2.51	5.12	2.04	2.85	5.00	1.75
-3°C	1.91	6.34	3.32	1.97	6.01	3.05	2.03	5.68	2.80	2.12	5.36	2.53	2.23	5.03	2.26	2.57	5.11	1.99	2.92	5.00	1.71
-4°C	1.94	6.34	3.27	2.01	6.01	2.99	2.08	5.68	2.73	2.17	5.36	2.47	2.29	5.03	2.20	2.63	5.09	1.94	2.99	5.00	1.67
-5°C	1.97	6.35	3.22	2.05	6.02	2.94	2.13	5.69	2.67	2.23	5.37	2.41	2.35	5.04	2.14	2.69	5.07	1.88	3.06	5.00	1.63
-6°C	2.00	6.35	3.18	2.09	6.02	2.88	2.18	5.69	2.61	2.28	5.37	2.36	2.41	5.04	2.09	2.74	5.05	1.84	3.13	5.00	1.60
-7°C	2.03	6.36	3.13	2.13	6.03	2.83	2.23	5.70	2.56	2.34	5.38	2.30	2.47	5.05	2.04	2.80	5.03	1.80	3.21	5.00	1.56
-8°C	2.08	6.32	3.04	2.18	6.00	2.75	2.28	5.68	2.49	2.39	5.36	2.24	2.51	5.03	2.00	2.84	5.01	1.76	3.29	5.00	1.52
-9°C	2.11	6.29	2.98	2.22	5.97	2.69	2.33	5.65	2.42	2.44	5.34	2.19	2.56	5.01	1.96	2.89	4.99	1.73	3.37	5.00	1.48
-10°C	2.16	6.25	2.89	2.27	5.94	2.62	2.38	5.63	2.37	2.48	5.31	2.14	2.60	4.99	1.92	2.93	4.98	1.70	3.45	5.00	1.45
-11°C	2.20	6.24	2.84	2.31	5.92	2.56	2.42	5.60	2.31	2.53	5.29	2.09	2.64	4.98	1.89	2.97	4.96	1.67	0.00	0.00	0.00
-12°C	2.25	6.20	2.76	2.36	5.89	2.50	2.47	5.58	2.26	2.58	5.27	2.04	2.69	4.96	1.84	3.01	4.94	1.64	0.00	0.00	0.00
-13°C	2.28	6.17	2.71	2.40	5.86	2.44	2.52	5.55	2.20	2.63	5.25	2.00	2.73	4.94	1.81	3.05	4.92	1.61	0.00	0.00	0.00
-14°C	2.33	6.13	2.63	2.45	5.83	2.38	2.57	5.53	2.15	2.67	5.22	1.96	2.77	4.92	1.78	3.09	4.90	1.59	0.00	0.00	0.00
-15°C	2.36	6.10	2.58	2.49	5.80	2.33	2.62	5.50	2.10	2.72	5.20	1.91	2.82	4.90	1.74	0.00	0.00	0.00	0.00	0.00	0.00
-16°C	2.41	6.06	2.51	2.54	5.77	2.27	2.67	5.48	2.05	2.77	5.18	1.87	2.87	4.88	1.70	0.00	0.00	0.00	0.00	0.00	0.00
-17°C	2.44	6.03	2.47	2.58	5.74	2.22	2.72	5.45	2.00	2.82	5.16	1.83	2.92	4.86	1.66	0.00	0.00	0.00	0.00	0.00	0.00
-18°C	2.28	5.59	2.45	2.40	5.32	2.22	2.52	5.05	2.00	2.62	4.78	1.82	2.97	4.84	1.63	0.00	0.00	0.00	0.00	0.00	0.00
-19°C	2.09	5.16	2.47	2.21	4.91	2.22	2.33	4.66	2.00	2.42	4.40	1.82	0.00	0.00	0.00	0.00	0.00	0.00	0.00	0.00	0.00
-20°C	1.93	4.72	2.45	2.03	4.49	2.21	2.13	4.26	2.00	2.21	4.03	1.82	0.00	0.00	0.00	0.00	0.00	0.00	0.00	0.00	0.00

HC : Heating capacity (kW)

IP : Input power (kW)

COP : Coefficient of performance

▼ Alféa hybrid duo gaz 11 monophasé

	Starting temperature																				
	25°C			30°C			35°C			40°C			45°C			50°C			55°C		
	IP	HC	COP	IP	HC	COP	IP	HC	COP	IP	HC	COP	IP	HC	COP	IP	HC	COP	IP	HC	COP
35°C	1.46	11.50	7.88	1.58	11.15	7.06	1.70	10.80	6.35	1.85	10.10	5.46	1.96	9.05	4.62	2.08	8.49	4.08	2.20	7.59	3.45
34°C	1.48	11.50	7.77	1.60	11.15	6.97	1.72	10.80	6.28	1.87	10.10	5.40	1.98	9.05	4.57	2.10	8.49	4.04	2.22	7.59	3.42
33°C	1.48	11.50	7.77	1.61	11.15	6.93	1.74	10.80	6.21	1.89	10.10	5.34	2.00	9.05	4.53	2.12	8.49	4.00	2.25	7.59	3.37
32°C	1.50	11.50	7.67	1.63	11.15	6.84	1.76	10.80	6.14	1.91	10.10	5.29	2.02	9.05	4.48	2.15	8.49	3.95	2.27	7.59	3.34
31°C	1.52	11.50	7.57	1.65	11.15	6.76	1.78	10.80	6.07	1.93	10.10	5.23	2.04	9.05	4.44	2.17	8.49	3.91	2.30	7.59	3.30
30°C	1.54	11.50	7.47	1.67	11.15	6.68	1.80	10.80	6.00	1.95	10.10	5.18	2.06	9.05	4.39	2.19	8.49	3.88	2.32	7.59	3.27
29°C	1.54	11.50	7.47	1.68	11.15	6.64	1.82	10.80	5.93	1.97	10.10	5.13	2.08	9.05	4.35	2.21	8.49	3.84	2.34	7.59	3.24
28°C	1.56	11.50	7.37	1.70	11.15	6.56	1.84	10.80	5.87	1.99	10.10	5.08	2.10	9.05	4.31	2.23	8.49	3.81	2.37	7.59	3.20
27°C	1.58	11.50	7.28	1.72	11.15	6.48	1.86	10.80	5.81	2.01	10.10	5.02	2.13	9.05	4.25	2.26	8.49	3.76	2.39	7.59	3.18
26°C	1.60	11.50	7.19	1.74	11.15	6.41	1.88	10.80	5.74	2.03	10.10	4.98	2.15	9.05	4.21	2.28	8.49	3.72	2.42	7.59	3.14
25°C	1.60	11.50	7.19	1.75	11.15	6.37	1.90	10.80	5.68	2.05	10.10	4.93	2.17	9.05	4.17	2.30	8.49	3.69	2.44	7.59	3.11
24°C	1.62	11.50	7.10	1.77	11.15	6.30	1.92	10.80	5.63	2.07	10.10	4.88	2.19	9.05	4.13	2.32	8.49	3.66	2.46	7.59	3.09
23°C	1.64	11.50	7.01	1.79	11.15	6.23	1.94	10.80	5.57	2.09	10.10	4.83	2.21	9.05	4.10	2.34	8.49	3.63	2.49	7.59	3.05
22°C	1.66	11.50	6.93	1.81	11.15	6.16	1.96	10.80	5.51	2.11	10.10	4.79	2.23	9.05	4.06	2.37	8.49	3.58	2.51	7.59	3.02
21°C	1.66	11.50	6.93	1.82	11.15	6.13	1.98	10.80	5.45	2.13	10.10	4.74	2.25	9.05	4.02	2.39	8.49	3.55	2.54	7.59	2.99
20°C	1.68	11.50	6.85	1.84	11.15	6.06	2.00	10.80	5.40	2.15	10.10	4.70	2.27	9.05	3.99	2.41	8.49	3.52	2.56	7.59	2.96
19°C	1.72	11.50	6.69	1.88	11.15	5.93	2.04	10.80	5.29	2.19	10.10	4.61	2.31	9.05	3.92	2.45	8.49	3.47	2.60	7.59	2.92
18°C	1.74	11.50	6.61	1.91	11.15	5.84	2.08	10.80	5.19	2.23	10.10	4.53	2.35	9.05	3.85	2.49	8.49	3.41	2.64	7.59	2.88
17°C	1.78	11.50	6.46	1.95	11.15	5.72	2.12	10.80	5.09	2.27	10.10	4.45	2.39	9.05	3.79	2.53	8.49	3.36	2.68	7.59	2.83
16°C	1.80	11.50	6.39	1.98	11.15	5.63	2.16	10.80	5.00	2.31	10.10	4.37	2.43	9.05	3.72	2.57	8.49	3.30	2.72	7.59	2.79
15°C	1.84	11.50	6.25	2.02	11.15	5.52	2.20	10.80	4.91	2.36	10.10	4.28	2.47	9.05	3.66	2.61	8.49	3.25	2.76	7.59	2.75
14°C	1.88	11.50	6.12	2.06	11.15	5.41	2.24	10.80	4.82	2.40	10.10	4.21	2.50	9.05	3.62	2.64	8.49	3.22	2.80	7.59	2.71
13°C	1.90	11.50	6.05	2.09	11.15	5.33	2.28	10.80	4.74	2.44	10.10	4.14	2.54	9.05	3.56	2.68	8.49	3.17	2.84	7.59	2.67
12°C	1.94	11.50	5.93	2.13	11.15	5.23	2.32	10.80	4.66	2.48	10.10	4.07	2.58	9.05	3.51	2.72	8.49	3.12	2.88	7.59	2.64
11°C	1.96	11.50	5.87	2.16	11.15	5.16	2.36	10.80	4.58	2.52	10.10	4.01	2.62	9.05	3.45	2.76	8.49	3.08	2.92	7.59	2.60
10°C	2.00	11.50	5.75	2.20	11.15	5.07	2.40	10.80	4.50	2.56	10.10	3.95	2.66	9.05	3.40	2.80	8.49	3.03	2.96	7.59	2.56
9°C	2.05	11.50	5.61	2.25	11.15	4.96	2.45	10.80	4.41	2.61	10.10	3.87	2.72	9.05	3.33	2.85	8.49	2.98	3.02	7.59	2.51
8°C	2.08	11.50	5.53	2.29	11.15	4.87	2.50	10.80	4.32	2.65	10.10	3.81	2.78	9.05	3.26	2.89	8.49	2.94	3.07	7.59	2.47
7°C	2.14	11.50	5.37	2.34	11.15	4.76	2.54	10.80	4.25	2.70	10.10	3.74	2.82	9.05	3.21	2.94	8.49	2.89	3.07	7.59	2.47
6°C	2.33	11.50	4.93	2.53	11.15	4.41	2.72	10.79	3.97	2.83	10.10	3.57	2.99	9.04	3.02	3.05	8.49	2.78	3.22	7.58	2.36
5°C	2.48	11.54	4.65	2.67	11.15	4.18	2.85	10.76	3.77	2.95	10.10	3.42	3.13	9.05	2.89	3.16	8.49	2.69	3.33	7.58	2.28
4°C	2.63	11.58	4.41	2.81	11.15	3.97	2.99	10.72	3.59	3.15	10.10	3.21	3.26	9.06	2.78	3.31	8.48	2.56	3.44	7.58	2.20
3°C	2.77	11.61	4.19	2.95	11.15	3.78	3.12	10.69	3.43	3.35	10.10	3.01	3.39	9.07	2.67	3.45	8.46	2.45	3.56	7.58	2.13
2°C	2.92	11.64	3.99	3.09	11.15	3.61	3.26	10.66	3.27	3.55	10.10	2.85	3.52	9.08	2.58	3.60	8.45	2.35	3.67	7.58	2.06
1°C	3.07	11.68	3.81	3.23	11.15	3.45	3.39	10.62	3.13	3.66	10.10	2.76	3.66	9.09	2.49	3.71	8.44	2.27	3.78	7.58	2.00
0°C	3.21	11.71	3.65	3.37	11.15	3.31	3.52	10.59	3.01	3.77	10.10	2.68	3.79	9.10	2.40	3.81	8.44	2.22	3.90	7.58	1.94
-1°C	3.36	11.74	3.50	3.51	11.15	3.18	3.66	10.56	2.89	3.88	10.10	2.60	3.92	9.11	2.32	3.92	8.43	2.15	4.01	7.58	1.89
-2°C	3.50	11.78	3.36	3.65	11.15	3.06	3.79	10.52	2.77	3.99	10.10	2.53	4.06	9.13	2.25	4.02	8.43	2.10	4.12	7.58	1.84
-3°C	3.65	11.81	3.23	3.79	11.15	2.94	3.93	10.49	2.67	4.10	10.10	2.46	4.19	9.14	2.18	4.13	8.42	2.04	4.24	7.58	1.79
-4°C	3.80	11.84	3.12	3.93	11.15	2.84	4.06	10.46	2.57	4.19	10.10	2.41	4.32	9.15	2.12	4.25	8.41	1.98	4.35	7.58	1.74
-5°C	3.94	11.88	3.01	4.07	11.15	2.74	4.20	10.42	2.48	4.29	10.10	2.35	4.45	9.16	2.06	4.38	8.40	1.92	4.46	7.58	1.70
-6°C	4.09	11.91	2.91	4.21	11.15	2.65	4.33	10.39	2.40	4.38	10.10	2.31	4.59	9.17	2.00	4.50	8.39	1.86	4.58	7.58	1.66
-7°C	4.08	11.92	2.92	4.20	11.15	2.65	4.32	10.38	2.40	4.47	10.10	2.26	4.58	9.16	2.00	4.62	8.38	1.81	4.57	7.57	1.66
-8°C	4.16	11.92	2.87	4.28	11.15	2.61	4.40	10.38	2.36	4.53	10.10	2.23	4.63	9.16	1.98	4.67	8.38	1.79	4.62	7.57	1.64
-9°C	4.27	11.92	2.79	4.37	11.15	2.55	4.47	10.38	2.32	4.59	10.10	2.20	4.68	9.16	1.96	4.72	8.39	1.78	4.67	7.57	1.62
-10°C	4.35	11.92	2.74	4.45	11.15	2.51	4.55	10.38	2.28	4.65	10.10	2.17	4.73	9.16	1.94	4.76	8.39	1.76	4.73	7.57	1.60
-11°C	4.44	11.92	2.68	4.53	11.15	2.46	4.62	10.38	2.25	4.71	10.10	2.14	4.78	9.16	1.92	4.81	8.40	1.75	4.78	7.57	1.58
-12°C	4.52	11.92	2.64	4.61	11.15	2.42	4.70	10.38	2.21	4.77	10.10	2.12	4.83	9.16	1.90	4.86	8.40	1.73	4.84	7.57	1.56
-13°C	4.63	11.92	2.57	4.70	11.15	2.37	4.77	10.38	2.18	4.83	10.10	2.09	4.88	9.16	1.88	4.91	8.40	1.71	4.89	7.57	1.55
-14°C	4.71	11.92	2.53	4.78	11.15	2.33	4.85	10.38	2.14	4.89	10.10	2.07	4.93	9.16	1.86	4.95	8.41	1.70	4.95	7.57	1.53
-15°C	4.80	11.92	2.48	4.86	11.15	2.29	4.92	10.38	2.11	4.95	10.10	2.04	4.98	9.16	1.84	5.00	8.41	1.68	5.00	7.56	1.51
-16°C	4.80	11.38	2.37	4.86	10.88	2.24	4.92	10.38	2.11	4.95	9.79	1.98	4.98	8.92	1.79	5.00	8.17	1.63	5.00	7.33	1.47
-17°C	4.80	11.02	2.30	4.86	10.60	2.18	4.92	10.18	2.07	4.95	9.47	1.91	4.98	8.68	1.74	5.00	7.93	1.59	5.00	7.10	1.42
-18°C	4.80	10.78	2.25	4.86	10.33	2.13	4.92	9.88	2.01	4.95	9.16	1.85	4.98	8.44	1.69	5.00	7.70	1.54	5.00	6.87	1.37
-19°C	4.80	10.53	2.19	4.86	10.05	2.07	4.92	9.57	1.95	4.95	8.84	1.79	4.98	8.20	1.65	5.00	7.46	1.49	5.00	6.64	1.33
-20°C	4.80	10.30	2.15	4.86	9.78	2.01	4.92	9.26	1.88	4.95	8.53	1.72	4.98	7.96	1.60	5.00	7.22	1.44	5.00	6.41	1.28
-21°C	4.80	10.07	2.10	4.86	9.51	1.96	4.92	8.95	1.82	4.95	8.22	1.66	4.98	7.72	1.55	5.00	6.98	1.40	5.00	6.18	1.24
-22°C	4.80	9.82	2.05	4.86	9.23	1.90	4.92	8.64	1.76	4.95	7.90	1.60	4.98	7.48	1.50	5.00	6.74	1.35	5.00	5.95	1.19
-23°C	4.80	9.58	2.00	4.86	8.96	1.84	4.92	8.34	1.70	4.95											

▼ Alféa hybrid duo gaz 14+ monophasé

	Starting temperature																				
	25°C			30°C			35°C			40°C			45°C			50°C			55°C		
	IP	HC	COP	IP	HC	COP	IP	HC	COP	IP	HC	COP	IP	HC	COP	IP	HC	COP	IP	HC	COP
35°C	1.75	14.40	8.23	1.89	13.95	7.38	2.03	13.50	6.65	2.23	12.52	5.61	2.45	11.54	4.71	2.59	10.61	4.10	2.75	9.67	3.52
34°C	1.78	14.40	8.09	1.92	13.95	7.27	2.06	13.50	6.55	2.26	12.52	5.54	2.48	11.54	4.65	2.63	10.61	4.03	2.78	9.67	3.48
33°C	1.80	14.40	8.00	1.95	13.95	7.15	2.10	13.50	6.43	2.30	12.52	5.44	2.51	11.54	4.60	2.66	10.61	3.99	2.82	9.67	3.43
32°C	1.83	14.40	7.87	1.98	13.95	7.05	2.13	13.50	6.34	2.33	12.52	5.37	2.54	11.54	4.54	2.70	10.61	3.93	2.85	9.67	3.39
31°C	1.85	14.40	7.78	2.01	13.95	6.94	2.17	13.50	6.22	2.37	12.52	5.28	2.57	11.54	4.49	2.73	10.61	3.89	2.88	9.67	3.36
30°C	1.88	14.40	7.66	2.04	13.95	6.84	2.20	13.50	6.14	2.40	12.52	5.22	2.60	11.54	4.44	2.77	10.61	3.83	2.92	9.67	3.31
29°C	1.91	14.40	7.54	2.07	13.95	6.74	2.23	13.50	6.05	2.43	12.52	5.15	2.63	11.54	4.39	2.81	10.61	3.78	2.95	9.67	3.28
28°C	1.93	14.40	7.46	2.10	13.95	6.64	2.27	13.50	5.95	2.47	12.52	5.07	2.66	11.54	4.34	2.84	10.61	3.74	2.98	9.67	3.24
27°C	1.98	14.40	7.27	2.14	13.95	6.52	2.30	13.50	5.87	2.50	12.52	5.01	2.68	11.54	4.31	2.88	10.61	3.68	3.02	9.67	3.20
26°C	2.00	14.40	7.20	2.17	13.95	6.43	2.34	13.50	5.77	2.54	12.52	4.93	2.71	11.54	4.26	2.91	10.61	3.65	3.05	9.67	3.17
25°C	2.03	14.40	7.09	2.20	13.95	6.34	2.37	13.50	5.70	2.57	12.52	4.87	2.74	11.54	4.21	2.95	10.61	3.60	3.08	9.67	3.14
24°C	2.06	14.40	6.99	2.23	13.95	6.26	2.40	13.50	5.63	2.60	12.52	4.82	2.77	11.54	4.17	2.99	10.61	3.55	3.12	9.67	3.10
23°C	2.08	14.40	6.92	2.26	13.95	6.17	2.44	13.50	5.53	2.64	12.52	4.74	2.80	11.54	4.12	3.02	10.61	3.51	3.15	9.67	3.07
22°C	2.11	14.40	6.82	2.29	13.95	6.09	2.47	13.50	5.47	2.67	12.52	4.69	2.83	11.54	4.08	3.06	10.61	3.47	3.18	9.67	3.04
21°C	2.13	14.40	6.76	2.32	13.95	6.01	2.51	13.50	5.38	2.71	12.52	4.62	2.86	11.54	4.03	3.09	10.61	3.43	3.22	9.67	3.00
20°C	2.16	14.40	6.67	2.35	13.95	5.94	2.54	13.50	5.31	2.74	12.52	4.57	2.89	11.54	3.99	3.13	10.61	3.39	3.25	9.67	2.98
19°C	2.21	14.40	6.52	2.40	13.95	5.81	2.59	13.50	5.21	2.80	12.52	4.47	2.95	11.54	3.91	3.19	10.61	3.33	3.31	9.67	2.92
18°C	2.23	14.40	6.46	2.44	13.95	5.72	2.65	13.50	5.09	2.86	12.52	4.38	3.01	11.54	3.83	3.25	10.61	3.26	3.37	9.67	2.87
17°C	2.28	14.40	6.32	2.49	13.95	5.60	2.70	13.50	5.00	2.92	12.52	4.29	3.07	11.54	3.76	3.30	10.61	3.22	3.44	9.67	2.81
16°C	2.33	14.40	6.18	2.54	13.95	5.49	2.75	13.50	4.91	2.98	12.52	4.20	3.13	11.54	3.69	3.36	10.61	3.16	3.50	9.67	2.76
15°C	2.37	14.40	6.08	2.59	13.95	5.39	2.81	13.50	4.80	3.04	12.52	4.12	3.19	11.54	3.62	3.42	10.61	3.10	3.56	9.67	2.72
14°C	2.40	14.40	6.00	2.63	13.95	5.30	2.86	13.50	4.72	3.10	12.52	4.04	3.24	11.54	3.56	3.48	10.61	3.05	3.62	9.67	2.67
13°C	2.45	14.40	5.88	2.68	13.95	5.21	2.91	13.50	4.64	3.16	12.52	3.96	3.30	11.54	3.50	3.54	10.61	3.00	3.68	9.67	2.63
12°C	2.50	14.40	5.76	2.73	13.95	5.11	2.96	13.50	4.56	3.22	12.52	3.89	3.36	11.54	3.43	3.59	10.61	2.96	3.75	9.67	2.58
11°C	2.52	14.40	5.71	2.77	13.95	5.04	3.02	13.50	4.47	3.28	12.52	3.82	3.42	11.54	3.37	3.65	10.61	2.91	3.81	9.67	2.54
10°C	2.57	14.40	5.60	2.82	13.95	4.95	3.07	13.50	4.40	3.34	12.52	3.75	3.48	11.54	3.32	3.71	10.61	2.86	3.87	9.67	2.50
9°C	2.64	14.40	5.45	2.88	13.95	4.84	3.12	13.50	4.33	3.37	12.52	3.72	3.56	11.54	3.24	3.76	10.61	2.82	3.92	9.67	2.47
8°C	2.72	14.40	5.29	2.95	13.95	4.73	3.18	13.50	4.25	3.40	12.52	3.68	3.64	11.54	3.17	3.82	10.61	2.78	3.98	9.67	2.43
7°C	2.79	14.40	5.16	3.01	13.95	4.63	3.23	13.50	4.18	3.43	12.52	3.65	3.69	11.32	3.07	3.87	10.61	2.74	3.95	9.48	2.40
6°C	3.01	14.46	4.81	3.21	13.88	4.32	3.42	13.30	3.89	3.92	12.52	3.19	3.91	11.33	2.89	3.97	10.61	2.67	4.06	9.45	2.33
5°C	3.17	14.50	4.58	3.37	13.83	4.11	3.56	13.16	3.69	4.41	12.52	2.84	4.08	11.34	2.78	4.07	10.61	2.61	4.15	9.43	2.27
4°C	3.33	14.54	4.36	3.52	13.78	3.91	3.71	13.01	3.51	4.40	12.27	2.79	4.25	11.35	2.67	4.27	10.55	2.47	4.23	9.41	2.22
3°C	3.49	14.59	4.17	3.67	13.73	3.74	3.85	12.86	3.34	4.39	12.03	2.74	4.42	11.36	2.57	4.47	10.49	2.35	4.32	9.39	2.17
2°C	3.66	14.63	4.00	3.83	13.67	3.57	3.99	12.72	3.18	4.38	11.78	2.69	4.59	11.37	2.48	4.67	10.43	2.23	4.40	9.37	2.13
1°C	3.82	14.67	3.84	3.98	13.62	3.42	4.14	12.57	3.04	4.50	11.77	2.62	4.75	11.38	2.39	4.79	10.42	2.18	4.49	9.35	2.08
0°C	3.98	14.71	3.69	4.13	13.57	3.28	4.28	12.43	2.90	4.61	11.77	2.55	4.92	11.39	2.32	4.91	10.41	2.12	4.58	9.33	2.04
-1°C	4.15	14.76	3.56	4.28	13.52	3.16	4.42	12.28	2.78	4.73	11.76	2.49	5.09	11.41	2.24	5.04	10.41	2.07	4.66	9.31	2.00
-2°C	4.31	14.80	3.44	4.44	13.47	3.03	4.57	12.13	2.66	4.85	11.76	2.42	5.26	11.42	2.17	5.16	10.40	2.02	4.75	9.29	1.96
-3°C	4.47	14.84	3.32	4.59	13.42	2.92	4.71	11.99	2.54	4.96	11.75	2.37	5.43	11.43	2.11	5.28	10.39	1.97	4.83	9.27	1.92
-4°C	4.63	14.89	3.21	4.74	13.36	2.82	4.85	11.84	2.44	5.11	11.75	2.30	5.59	11.44	2.04	5.41	10.38	1.92	4.92	9.25	1.88
-5°C	4.80	14.93	3.11	4.90	13.31	2.72	5.00	11.69	2.34	5.25	11.74	2.24	5.76	11.45	1.99	5.53	10.37	1.88	5.00	9.23	1.84
-6°C	4.96	14.97	3.02	5.05	13.26	2.63	5.14	11.55	2.25	5.40	11.74	2.17	5.93	11.46	1.93	5.66	10.36	1.83	5.09	9.21	1.81
-7°C	4.95	14.96	3.02	5.04	13.25	2.63	5.13	11.54	2.25	5.54	11.73	2.12	5.92	11.45	1.93	5.78	10.35	1.79	5.08	9.20	1.81
-8°C	5.07	14.78	2.92	5.11	13.16	2.58	5.15	11.54	2.24	5.58	11.67	2.09	5.93	11.36	1.92	5.81	10.28	1.77	5.23	9.19	1.76
-9°C	5.16	14.60	2.83	5.19	13.07	2.52	5.22	11.54	2.21	5.62	11.62	2.07	5.95	11.26	1.89	5.84	10.20	1.75	5.38	9.13	1.70
-10°C	5.23	14.42	2.76	5.26	12.98	2.47	5.29	11.54	2.18	5.66	11.56	2.04	5.96	11.17	1.87	5.87	10.13	1.73	5.52	9.07	1.64
-11°C	5.30	14.24	2.69	5.33	12.89	2.42	5.36	11.54	2.15	5.70	11.51	2.02	5.97	11.07	1.85	5.90	10.05	1.70	5.66	9.02	1.59
-12°C	5.38	14.04	2.61	5.40	12.79	2.37	5.42	11.54	2.13	5.74	11.45	1.99	5.98	10.98	1.84	5.93	9.98	1.68	5.79	8.96	1.55
-13°C	5.47	13.86	2.53	5.48	12.70	2.32	5.49	11.54	2.10	5.78	11.39	1.97	6.00	10.88	1.81	5.96	9.90	1.66	5.88	8.90	1.51
-14°C	5.54	13.68	2.47	5.55	12.61	2.27	5.56	11.54	2.08	5.82	11.34	1.95	6.01	10.79	1.80	5.99	9.83	1.64	5.96	8.84	1.48
-15°C	5.61	13.50	2.41	5.62	12.52	2.23	5.63	11.54	2.05	5.86	11.28	1.92	6.02	10.69	1.78	6.02	9.75	1.62	6.02	8.78	1.46
-16°C	5.61	12.98	2.31	5.62	12.26	2.18	5.63	11.54	2.05	5.86	11.05	1.89	6.01	10.44	1.74	6.02	9.52	1.58	6.02	8.57	1.42
-17°C	5.61	12.59	2.24	5.62	12.00	2.14	5.63	11.41	2.03	5.86	10.83	1.85	6.00	10.18	1.70	6.02	9.29	1.54	6.02	8.36	1.39
-18°C	5.59	12.36	2.21	5.61	11.74	2.09	5.63	11.12	1.98	5.86	10.60	1.81	6.00	9.93	1.66	6.02	9.07	1.51	6.02	8.14	1.35
-19°C	5.59	12.14	2.17	5.61	11.48	2.05	5.63	10.82	1.92	5.86	10.38	1.77	5.99	9.67	1.61	6.02	8.84	1.47	6.02	7.93	1.32
-20°C	5.59	11.91	2.13	5.61	11.22	2.00	5.63	10.53	1.87	5.86	10.15	1.73	5.98	9.42	1.58	6.02	8.61	1.43	6.02	7.72	1.28
-21°C	5.59	11.68	2.09	5.61	10.96	1.95	5.63	10.24	1.82	5.86	9.92	1.69	5.97	9.17	1.54	6.02	8.38	1.39	6.02	7.51	1.25
-22°C	5.59	11.46	2.05	5.61	10.70	1.91	5.63	9.94	1.77	5.86	9.70	1.66	5.96	8.91	1.49	6.02	8.15	1.35	6.02	7.30	

▼ Alféa hybrid duo gaz 11 triphasé

	Starting temperature																				
	25°C			30°C			35°C			40°C			45°C			50°C			55°C		
	IP	HC	COP	IP	HC	COP	IP	HC	COP	IP	HC	COP	IP	HC	COP	IP	HC	COP	IP	HC	COP
35°C	1.45	11.50	7.93	1.57	11.15	7.10	1.69	10.80	6.39	1.89	10.45	5.53	2.11	10.10	4.79	2.36	9.79	4.15	2.64	9.48	3.59
34°C	1.47	11.50	7.82	1.59	11.15	7.01	1.71	10.80	6.32	1.91	10.45	5.47	2.13	10.10	4.74	2.39	9.79	4.10	2.67	9.48	3.55
33°C	1.47	11.50	7.82	1.60	11.15	6.97	1.73	10.80	6.24	1.93	10.45	5.41	2.16	10.10	4.68	2.41	9.79	4.06	2.70	9.48	3.51
32°C	1.49	11.50	7.72	1.62	11.15	6.88	1.75	10.80	6.17	1.95	10.45	5.36	2.18	10.10	4.63	2.44	9.79	4.01	2.73	9.48	3.47
31°C	1.51	11.50	7.62	1.64	11.15	6.80	1.77	10.80	6.10	1.98	10.45	5.28	2.21	10.10	4.57	2.46	9.79	3.98	2.76	9.48	3.43
30°C	1.51	11.50	7.62	1.65	11.15	6.76	1.79	10.80	6.03	2.00	10.45	5.23	2.23	10.10	4.53	2.49	9.79	3.93	2.79	9.48	3.40
29°C	1.53	11.50	7.52	1.67	11.15	6.68	1.81	10.80	5.97	2.02	10.45	5.17	2.25	10.10	4.49	2.51	9.79	3.90	2.82	9.48	3.36
28°C	1.55	11.50	7.42	1.69	11.15	6.60	1.83	10.80	5.90	2.04	10.45	5.12	2.28	10.10	4.43	2.54	9.79	3.85	2.85	9.48	3.33
27°C	1.56	11.50	7.37	1.70	11.15	6.56	1.84	10.80	5.87	2.06	10.45	5.07	2.30	10.10	4.39	2.56	9.79	3.82	2.87	9.48	3.30
26°C	1.58	11.50	7.28	1.72	11.15	6.48	1.86	10.80	5.81	2.08	10.45	5.02	2.33	10.10	4.33	2.59	9.79	3.78	2.90	9.48	3.27
25°C	1.60	11.50	7.19	1.74	11.15	6.41	1.88	10.80	5.74	2.10	10.45	4.98	2.35	10.10	4.30	2.61	9.79	3.75	2.93	9.48	3.24
24°C	1.60	11.50	7.19	1.75	11.15	6.37	1.90	10.80	5.68	2.12	10.45	4.93	2.37	10.10	4.26	2.64	9.79	3.71	2.96	9.48	3.20
23°C	1.62	11.50	7.10	1.77	11.15	6.30	1.92	10.80	5.63	2.15	10.45	4.86	2.40	10.10	4.21	2.66	9.79	3.68	2.99	9.48	3.17
22°C	1.64	11.50	7.01	1.79	11.15	6.23	1.94	10.80	5.57	2.17	10.45	4.82	2.42	10.10	4.17	2.69	9.79	3.64	3.02	9.48	3.14
21°C	1.64	11.50	7.01	1.80	11.15	6.19	1.96	10.80	5.51	2.19	10.45	4.77	2.45	10.10	4.12	2.71	9.79	3.61	3.05	9.48	3.11
20°C	1.66	11.50	6.93	1.82	11.15	6.13	1.98	10.80	5.45	2.21	10.45	4.73	2.47	10.10	4.09	2.74	9.79	3.57	3.08	9.48	3.08
19°C	1.70	11.50	6.76	1.86	11.15	5.99	2.02	10.80	5.35	2.25	10.45	4.64	2.51	10.10	4.02	2.78	9.79	3.52	3.12	9.48	3.04
18°C	1.74	11.50	6.61	1.90	11.15	5.87	2.06	10.80	5.24	2.29	10.45	4.56	2.55	10.10	3.96	2.82	9.79	3.47	3.15	9.48	3.01
17°C	1.76	11.50	6.53	1.93	11.15	5.78	2.10	10.80	5.14	2.34	10.45	4.47	2.60	10.10	3.88	2.86	9.79	3.42	3.19	9.48	2.97
16°C	1.80	11.50	6.39	1.97	11.15	5.66	2.14	10.80	5.05	2.38	10.45	4.39	2.64	10.10	3.83	2.90	9.79	3.38	3.22	9.48	2.94
15°C	1.84	11.50	6.25	2.01	11.15	5.55	2.18	10.80	4.95	2.42	10.45	4.32	2.68	10.10	3.77	2.94	9.79	3.33	3.26	9.48	2.91
14°C	1.86	11.50	6.18	2.04	11.15	5.47	2.22	10.80	4.86	2.46	10.45	4.25	2.71	10.10	3.73	2.98	9.79	3.29	3.30	9.48	2.87
13°C	1.90	11.50	6.05	2.08	11.15	5.36	2.26	10.80	4.78	2.50	10.45	4.18	2.75	10.10	3.67	3.02	9.79	3.24	3.34	9.48	2.84
12°C	1.92	11.50	5.99	2.11	11.15	5.28	2.30	10.80	4.70	2.54	10.45	4.11	2.78	10.10	3.63	3.06	9.79	3.20	3.38	9.48	2.80
11°C	1.96	11.50	5.87	2.15	11.15	5.19	2.34	10.80	4.62	2.58	10.45	4.05	2.82	10.10	3.58	3.10	9.79	3.16	3.42	9.48	2.77
10°C	1.98	11.50	5.81	2.18	11.15	5.11	2.38	10.80	4.54	2.62	10.45	3.99	2.85	10.10	3.54	3.14	9.79	3.12	3.46	9.48	2.74
9°C	2.02	11.50	5.69	2.22	11.15	5.02	2.42	10.80	4.46	2.66	10.45	3.93	2.90	10.10	3.48	3.19	9.79	3.07	3.51	9.48	2.70
8°C	2.07	11.50	5.56	2.27	11.15	4.91	2.47	10.80	4.37	2.71	10.45	3.86	2.96	10.10	3.41	3.25	9.79	3.01	3.55	9.48	2.67
7°C	2.11	11.50	5.45	2.31	11.15	4.83	2.51	10.80	4.30	2.75	10.45	3.80	2.99	9.90	3.32	3.30	9.79	2.97	3.52	9.30	2.64
6°C	2.31	11.54	5.00	2.50	11.15	4.47	2.69	10.76	4.00	2.88	10.45	3.63	3.15	9.91	3.15	3.43	9.79	2.85	3.68	9.29	2.52
5°C	2.46	11.57	4.71	2.64	11.15	4.23	2.82	10.73	3.80	3.00	10.45	3.48	3.27	9.92	3.03	3.55	9.79	2.76	3.80	9.29	2.45
4°C	2.60	11.61	4.46	2.78	11.15	4.01	2.95	10.70	3.62	3.18	10.45	3.29	3.40	9.93	2.92	3.68	9.79	2.66	3.92	9.29	2.37
3°C	2.75	11.64	4.23	2.92	11.15	3.82	3.09	10.67	3.45	3.36	10.45	3.11	3.52	9.93	2.82	3.82	9.79	2.56	4.04	9.29	2.30
2°C	2.90	11.67	4.02	3.06	11.15	3.64	3.22	10.64	3.30	3.54	10.45	2.95	3.65	9.94	2.73	3.95	9.79	2.48	4.15	9.29	2.24
1°C	3.05	11.70	3.84	3.20	11.15	3.48	3.35	10.61	3.16	3.66	10.45	2.86	3.77	9.95	2.64	4.08	9.79	2.40	4.27	9.29	2.17
0°C	3.20	11.73	3.67	3.34	11.16	3.34	3.49	10.58	3.03	3.78	10.45	2.76	3.90	9.95	2.56	4.21	9.79	2.33	4.39	9.29	2.12
-1°C	3.35	11.77	3.52	3.48	11.16	3.20	3.62	10.55	2.91	3.89	10.45	2.69	4.02	9.96	2.48	4.33	9.79	2.26	4.51	9.29	2.06
-2°C	3.50	11.80	3.38	3.63	11.16	3.08	3.76	10.51	2.80	4.01	10.45	2.61	4.14	9.97	2.41	4.46	9.79	2.20	4.63	9.29	2.01
-3°C	3.64	11.83	3.25	3.77	11.16	2.96	3.89	10.48	2.70	4.13	10.45	2.53	4.27	9.97	2.34	4.59	9.79	2.13	4.74	9.29	1.96
-4°C	3.79	11.86	3.13	3.91	11.16	2.86	4.02	10.45	2.60	4.23	10.44	2.47	4.39	9.98	2.27	4.70	9.79	2.08	4.86	9.28	1.91
-5°C	3.94	11.89	3.02	4.05	11.16	2.76	4.16	10.42	2.51	4.33	10.43	2.41	4.52	9.99	2.21	4.81	9.79	2.04	4.98	9.28	1.86
-6°C	4.09	11.93	2.92	4.19	11.16	2.66	4.29	10.39	2.42	4.42	10.42	2.36	4.64	9.99	2.15	4.91	9.79	1.99	5.10	9.28	1.82
-7°C	4.08	11.92	2.92	4.18	11.15	2.67	4.28	10.38	2.43	4.52	10.41	2.30	4.63	9.98	2.16	5.02	9.79	1.95	5.09	9.27	1.82
-8°C	4.16	11.92	2.87	4.26	11.15	2.62	4.36	10.38	2.38	4.59	10.41	2.27	4.71	9.98	2.12	5.05	9.70	1.92	5.10	9.06	1.78
-9°C	4.25	11.92	2.80	4.34	11.15	2.57	4.43	10.38	2.34	4.65	10.41	2.24	4.79	9.98	2.08	5.08	9.61	1.89	5.12	8.93	1.74
-10°C	4.33	11.92	2.75	4.42	11.15	2.52	4.51	10.38	2.30	4.72	10.41	2.21	4.86	9.98	2.05	5.11	9.51	1.86	5.14	8.79	1.71
-11°C	4.44	11.92	2.68	4.51	11.15	2.47	4.58	10.38	2.27	4.79	10.41	2.17	4.94	9.98	2.02	5.14	9.42	1.83	5.17	8.65	1.67
-12°C	4.52	11.92	2.64	4.59	11.15	2.43	4.66	10.38	2.23	4.85	10.41	2.15	5.02	9.98	1.99	5.16	9.33	1.81	5.19	8.51	1.64
-13°C	4.61	11.92	2.59	4.67	11.15	2.39	4.73	10.38	2.19	4.92	10.41	2.12	5.10	9.98	1.96	5.19	9.24	1.78	5.21	8.38	1.61
-14°C	4.69	11.92	2.54	4.75	11.15	2.35	4.81	10.38	2.16	4.98	10.41	2.09	5.17	9.98	1.93	5.22	9.14	1.75	5.23	8.24	1.58
-15°C	4.78	11.92	2.49	4.83	11.15	2.31	4.88	10.38	2.13	5.05	10.41	2.06	5.25	9.98	1.90	5.25	9.05	1.72	5.25	8.10	1.54
-16°C	4.73	11.38	2.41	4.81	10.88	2.26	4.89	10.38	2.12	5.09	10.21	2.01	5.25	9.75	1.86	5.25	8.78	1.67	5.25	7.82	1.49
-17°C	4.67	10.84	2.32	4.79	10.61	2.22	4.91	10.38	2.11	5.13	10.01	1.95	5.25	9.48	1.81	5.25	8.52	1.62	5.25	7.54	1.44
-18°C	4.60	10.43	2.27	4.76	10.34	2.17	4.92	10.25	2.08	5.16	9.80	1.90	5.25	9.20	1.75	5.25	8.25	1.57	5.25	7.26	1.38
-19°C	4.54	10.07	2.22	4.74	10.07	2.12	4.94	10.07	2.04	5.20	9.60	1.85	5.25	8.93	1.70	5.25	7.99	1.52	5.25	6.98	1.33
-20°C	4.49	9.71	2.16	4.72	9.80	2.08	4.95	9.89	2.00	5.24	9.40	1.79	5.25	8.66	1.65	5.25	7.72	1.47	5.25	6.70	1.28
-21°C	4.44	9.22	2.08	4.65	9.29	2.00	4.86	9.36	1.93	5.13	8.94	1.74	5.17	8.24	1.59	5.25	7.39	1.41	5.25	6.53	1.24
-22°C	4.29	1.36	0.32	4.53	3.73	0.82	4.77	8.82	1.85	5.01	8.48	1.69	5.03	7.32	1.46	5.25	7.05	1.34	5.25	6.36	1.21
-23°C	4.34	8.25	1.90	4.51	8.27	1.83	4.68														

▼ Alféa hybrid duo gaz 14 triphasé

	Starting temperature																				
	25°C			30°C			35°C			40°C			45°C			50°C			55°C		
	IP	HC	COP	IP	HC	COP	IP	HC	COP	IP	HC	COP	IP	HC	COP	IP	HC	COP	IP	HC	COP
35°C	1.71	14.60	8.54	1.84	13.95	7.58	1.97	13.30	6.75	2.20	13.05	5.93	2.50	12.60	5.04	2.75	12.20	4.44	3.00	11.80	3.93
34°C	1.73	14.60	8.44	1.87	13.95	7.46	2.01	13.30	6.62	2.24	13.05	5.83	2.54	12.60	4.96	2.80	12.20	4.36	3.06	11.80	3.86
33°C	1.78	14.60	8.20	1.91	13.95	7.30	2.04	13.30	6.52	2.28	13.05	5.72	2.58	12.60	4.88	2.85	12.20	4.28	3.11	11.80	3.79
32°C	1.80	14.60	8.11	1.94	13.95	7.19	2.08	13.30	6.39	2.32	13.05	5.63	2.62	12.60	4.81	2.90	12.20	4.21	3.17	11.80	3.72
31°C	1.82	14.60	8.02	1.97	13.95	7.08	2.12	13.30	6.27	2.36	13.05	5.53	2.66	12.60	4.74	2.95	12.20	4.14	3.23	11.80	3.65
30°C	1.84	14.60	7.93	2.00	13.95	6.98	2.16	13.30	6.16	2.40	13.05	5.44	2.70	12.60	4.67	3.00	12.20	4.07	3.28	11.80	3.60
29°C	1.89	14.60	7.72	2.04	13.95	6.84	2.19	13.30	6.07	2.44	13.05	5.35	2.74	12.60	4.60	3.05	12.20	4.00	3.34	11.80	3.53
28°C	1.91	14.60	7.64	2.07	13.95	6.74	2.23	13.30	5.96	2.48	13.05	5.26	2.78	12.60	4.53	3.10	12.20	3.94	3.40	11.80	3.47
27°C	1.93	14.60	7.56	2.10	13.95	6.64	2.27	13.30	5.86	2.52	13.05	5.18	2.83	12.60	4.45	3.15	12.20	3.87	3.45	11.80	3.42
26°C	1.95	14.60	7.49	2.13	13.95	6.55	2.31	13.30	5.76	2.56	13.05	5.10	2.87	12.60	4.39	3.20	12.20	3.81	3.51	11.80	3.36
25°C	2.00	14.60	7.30	2.17	13.95	6.43	2.34	13.30	5.68	2.60	13.05	5.02	2.91	12.60	4.33	3.25	12.20	3.75	3.57	11.80	3.31
24°C	2.02	14.60	7.23	2.20	13.95	6.34	2.38	13.30	5.59	2.64	13.05	4.94	2.95	12.60	4.27	3.30	12.20	3.70	3.62	11.80	3.26
23°C	2.04	14.60	7.16	2.23	13.95	6.26	2.42	13.30	5.50	2.68	13.05	4.87	2.99	12.60	4.21	3.35	12.20	3.64	3.68	11.80	3.21
22°C	2.06	14.60	7.09	2.26	13.95	6.17	2.46	13.30	5.41	2.72	13.05	4.80	3.03	12.60	4.16	3.40	12.20	3.59	3.74	11.80	3.16
21°C	2.11	14.60	6.92	2.30	13.95	6.07	2.49	13.30	5.34	2.76	13.05	4.73	3.07	12.60	4.10	3.45	12.20	3.54	3.79	11.80	3.11
20°C	2.13	14.60	6.85	2.33	13.95	5.99	2.53	13.30	5.26	2.80	13.05	4.66	3.11	12.60	4.05	3.50	12.20	3.49	3.85	11.80	3.06
19°C	2.18	14.60	6.70	2.38	13.95	5.86	2.58	13.30	5.16	2.86	13.05	4.56	3.17	12.60	3.97	3.55	12.20	3.44	3.92	11.80	3.01
18°C	2.23	14.60	6.55	2.43	13.95	5.74	2.63	13.30	5.06	2.92	13.05	4.47	3.23	12.60	3.90	3.61	12.20	3.38	3.99	11.80	2.96
17°C	2.25	14.60	6.49	2.47	13.95	5.65	2.69	13.30	4.94	2.97	13.05	4.39	3.28	12.60	3.84	3.66	12.20	3.33	4.06	11.80	2.91
16°C	2.30	14.60	6.35	2.52	13.95	5.54	2.74	13.30	4.85	3.03	13.05	4.31	3.34	12.60	3.77	3.72	12.20	3.28	4.13	11.80	2.86
15°C	2.35	14.60	6.21	2.57	13.95	5.43	2.79	13.30	4.77	3.09	13.05	4.22	3.40	12.60	3.71	3.77	12.20	3.24	4.20	11.80	2.81
14°C	2.40	14.60	6.08	2.62	13.95	5.32	2.84	13.30	4.68	3.15	13.05	4.14	3.46	12.60	3.64	3.84	12.20	3.18	4.27	11.80	2.76
13°C	2.43	14.60	6.01	2.66	13.95	5.24	2.89	13.30	4.60	3.21	13.05	4.07	3.51	12.60	3.59	3.91	12.20	3.12	4.34	11.80	2.72
12°C	2.47	14.60	5.91	2.71	13.95	5.15	2.95	13.30	4.51	3.26	13.05	4.00	3.57	12.60	3.53	3.98	12.20	3.07	4.41	11.80	2.68
11°C	2.50	14.60	5.84	2.75	13.95	5.07	3.00	13.30	4.43	3.32	13.05	3.93	3.62	12.60	3.48	4.05	12.20	3.01	4.48	11.80	2.63
10°C	2.55	14.60	5.73	2.80	13.95	4.98	3.05	13.30	4.36	3.38	13.05	3.86	3.68	12.60	3.42	4.12	12.20	2.96	4.48	11.80	2.63
9°C	2.62	14.70	5.61	2.86	13.95	4.88	3.10	13.30	4.26	3.41	13.05	3.83	3.72	12.60	3.39	4.14	12.20	2.95	4.48	11.80	2.63
8°C	2.69	14.80	5.50	2.92	13.95	4.78	3.15	13.10	4.16	3.45	13.05	3.78	3.77	12.60	3.34	4.16	12.20	2.93	4.48	11.80	2.63
7°C	2.85	14.90	5.23	2.98	13.95	4.68	3.11	13.00	4.18	3.48	13.05	3.75	3.81	12.34	3.24	4.18	12.20	2.92	4.49	10.81	2.41
6°C	3.05	14.79	4.84	3.18	13.88	4.36	3.31	12.97	3.92	3.99	13.05	3.27	3.94	12.18	3.09	4.29	12.20	2.84	4.61	10.73	2.33
5°C	3.21	14.71	4.59	3.34	13.83	4.15	3.46	12.95	3.74	4.49	13.05	2.91	4.04	12.06	2.98	4.40	12.20	2.77	4.69	10.67	2.27
4°C	3.36	14.63	4.35	3.49	13.78	3.95	3.62	12.92	3.57	4.52	12.95	2.87	4.14	11.94	2.88	4.65	12.20	2.62	4.78	10.61	2.22
3°C	3.52	14.55	4.14	3.64	13.73	3.77	3.77	12.90	3.42	4.55	12.85	2.82	4.24	11.82	2.79	4.90	12.20	2.49	4.87	10.56	2.17
2°C	3.67	14.47	3.94	3.80	13.67	3.60	3.92	12.88	3.28	4.58	12.75	2.78	4.35	11.70	2.69	5.15	12.20	2.37	4.95	10.50	2.12
1°C	3.82	14.39	3.76	3.95	13.62	3.45	4.07	12.86	3.16	4.69	12.75	2.72	4.45	11.58	2.61	5.28	12.18	2.31	5.04	10.44	2.07
0°C	3.98	14.31	3.60	4.10	13.57	3.31	4.23	12.83	3.04	4.80	12.75	2.66	4.55	11.47	2.52	5.40	12.16	2.25	5.13	10.38	2.02
-1°C	4.13	14.22	3.44	4.25	13.52	3.18	4.38	12.81	2.93	4.90	12.75	2.60	4.65	11.35	2.44	5.53	12.14	2.20	5.21	10.32	1.98
-2°C	4.28	14.14	3.30	4.41	13.47	3.06	4.53	12.79	2.82	5.01	12.75	2.54	4.75	11.23	2.36	5.65	12.12	2.15	5.30	10.26	1.94
-3°C	4.44	14.06	3.17	4.56	13.42	2.94	4.68	12.77	2.73	5.12	12.75	2.49	4.85	11.11	2.29	5.78	12.10	2.09	5.39	10.21	1.89
-4°C	4.59	13.98	3.04	4.71	13.36	2.83	4.84	12.74	2.64	5.25	12.75	2.43	4.95	10.99	2.22	5.84	11.96	2.05	5.48	10.15	1.85
-5°C	4.75	13.90	2.93	4.87	13.31	2.74	4.99	12.72	2.55	5.37	12.75	2.37	5.05	10.87	2.15	5.90	11.83	2.01	5.56	10.09	1.81
-6°C	4.90	13.82	2.82	5.02	13.26	2.64	5.14	12.70	2.47	5.50	12.75	2.32	5.15	10.75	2.09	5.95	11.69	1.96	5.65	10.03	1.78
-7°C	4.89	13.81	2.82	5.01	13.25	2.64	5.13	12.69	2.47	5.62	12.75	2.27	5.14	10.74	2.09	6.01	11.55	1.92	5.64	10.02	1.78
-8°C	4.88	13.55	2.78	5.05	13.12	2.60	5.22	12.69	2.43	5.66	12.61	2.23	5.24	10.74	2.05	6.04	11.40	1.89	5.78	10.02	1.73
-9°C	4.93	13.31	2.70	5.10	13.00	2.55	5.27	12.69	2.41	5.69	12.47	2.19	5.33	10.74	2.01	6.08	11.25	1.85	5.94	10.02	1.69
-10°C	4.97	13.08	2.63	5.14	12.87	2.50	5.31	12.66	2.38	5.73	12.33	2.15	5.43	10.74	1.98	6.11	11.10	1.82	6.09	10.02	1.65
-11°C	5.02	12.95	2.58	5.19	12.75	2.46	5.36	12.55	2.34	5.77	12.19	2.11	5.52	10.74	1.94	6.14	10.95	1.78	6.17	10.02	1.62
-12°C	5.06	12.80	2.53	5.23	12.62	2.41	5.40	12.44	2.30	5.80	12.04	2.08	5.62	10.74	1.91	6.17	10.80	1.75	6.20	9.88	1.59
-13°C	5.10	12.65	2.48	5.27	12.49	2.37	5.44	12.33	2.27	5.84	11.90	2.04	5.72	10.74	1.88	6.21	10.65	1.71	6.24	9.73	1.56
-14°C	5.15	12.53	2.43	5.32	12.37	2.33	5.49	12.21	2.22	5.87	11.76	2.00	5.81	10.74	1.85	6.24	10.50	1.68	6.27	9.59	1.53
-15°C	5.19	12.38	2.39	5.36	12.24	2.28	5.53	12.10	2.19	5.91	11.62	1.97	5.91	10.74	1.82	6.27	10.35	1.65	6.30	9.44	1.50
-16°C	5.08	11.86	2.33	5.26	11.77	2.24	5.44	11.68	2.15	5.85	11.26	1.92	6.00	10.74	1.79	6.25	10.06	1.61	6.28	9.16	1.46
-17°C	4.99	11.34	2.27	5.17	11.30	2.19	5.35	11.26	2.10	5.79	10.89	1.88	6.10	10.52	1.72	6.23	9.78	1.57	6.25	8.88	1.42
-18°C	4.87	10.84	2.23	5.07	10.84	2.14	5.27	10.84	2.06	5.72	10.53	1.84	6.06	10.22	1.69	6.21	9.49	1.53	6.23	8.61	1.38
-19°C	4.78	10.32	2.16	4.98	10.37	2.08	5.18	10.42	2.01	5.66	10.16	1.80	6.03	9.91	1.64	6.19	9.21	1.49	6.20	8.33	1.34
-20°C	4.67	9.80	2.10	4.88	9.90	2.03	5.09	10.00	1.96	5.50	9.80	1.78	6.00	9.60	1.60	6.17	8.92	1.45	5.18	8.05	1.55
-21°C	4.66	9.39	2.02	4.86	9.49	1.95	5.06	9.59	1.90	5.56	9.53	1.71	5.96	9.32	1.56	6.18	8.67	1.40	6.17	7.90	1.28
-22°C	4.64	8.96	1.93	4.83	9.07	1.88	5.02	9.18	1.83	5.52	9.25	1.68	5.92	9.04	1.53						

▼ Alféa hybrid duo gaz 16 triphasé

	Starting temperature																				
	25°C			30°C			35°C			40°C			45°C			50°C			55°C		
	IP	HC	COP	IP	HC	COP	IP	HC	COP	IP	HC	COP	IP	HC	COP	IP	HC	COP	IP	HC	COP
35°C	1.97	17.35	8.81	2.04	16.26	7.97	2.11	15.17	7.19	2.24	14.09	6.29	2.38	13.00	5.46	2.73	12.98	4.75	3.20	12.96	4.05
34°C	2.02	17.35	8.59	2.09	16.26	7.78	2.16	15.17	7.02	2.30	14.09	6.13	2.44	13.00	5.33	2.80	12.98	4.64	3.27	12.96	3.96
33°C	2.06	17.35	8.42	2.14	16.26	7.60	2.22	15.17	6.83	2.35	14.09	6.00	2.50	13.00	5.20	2.87	12.98	4.52	3.34	12.96	3.88
32°C	2.11	17.35	8.22	2.19	16.26	7.42	2.27	15.17	6.68	2.41	14.09	5.85	2.56	13.00	5.08	2.94	12.98	4.41	3.41	12.96	3.80
31°C	2.14	17.35	8.11	2.23	16.26	7.29	2.32	15.17	6.54	2.47	14.09	5.70	2.62	13.00	4.96	3.01	12.98	4.31	3.49	12.96	3.71
30°C	2.18	17.35	7.96	2.28	16.26	7.13	2.38	15.17	6.37	2.52	14.09	5.59	2.68	13.00	4.85	3.08	12.98	4.21	3.56	12.96	3.64
29°C	2.23	17.35	7.78	2.33	16.26	6.98	2.43	15.17	6.24	2.58	14.09	5.46	2.74	13.00	4.74	3.15	12.98	4.12	3.63	12.96	3.57
28°C	2.28	17.35	7.61	2.38	16.26	6.83	2.48	15.17	6.12	2.64	14.09	5.34	2.80	13.00	4.64	3.22	12.98	4.03	3.70	12.96	3.50
27°C	2.32	17.35	7.48	2.43	16.26	6.69	2.54	15.17	5.97	2.69	14.09	5.24	2.87	13.00	4.53	3.28	12.98	3.96	3.77	12.96	3.44
26°C	2.37	17.35	7.32	2.48	16.26	6.56	2.59	15.17	5.86	2.75	14.09	5.12	2.93	13.00	4.44	3.35	12.98	3.87	3.84	12.96	3.38
25°C	2.42	17.35	7.17	2.53	16.26	6.43	2.64	15.17	5.75	2.81	14.09	5.01	2.99	13.00	4.35	3.42	12.98	3.80	3.91	12.96	3.31
24°C	2.46	17.35	7.05	2.58	16.26	6.30	2.70	15.17	5.62	2.86	14.09	4.93	3.05	13.00	4.26	3.49	12.98	3.72	3.98	12.96	3.26
23°C	2.49	17.35	6.97	2.62	16.26	6.21	2.75	15.17	5.52	2.92	14.09	4.83	3.11	13.00	4.18	3.56	12.98	3.65	4.06	12.96	3.19
22°C	2.54	17.35	6.83	2.67	16.26	6.09	2.80	15.17	5.42	2.98	14.09	4.73	3.17	13.00	4.10	3.63	12.98	3.58	4.13	12.96	3.14
21°C	2.58	17.35	6.72	2.72	16.26	5.98	2.86	15.17	5.30	3.03	14.09	4.65	3.23	13.00	4.02	3.70	12.98	3.51	4.20	12.96	3.09
20°C	2.63	17.35	6.60	2.77	16.26	5.87	2.91	15.17	5.21	3.09	14.09	4.56	3.29	13.00	3.95	3.77	12.98	3.44	4.27	12.96	3.04
19°C	2.71	17.35	6.40	2.84	16.26	5.73	2.97	15.17	5.11	3.14	14.09	4.49	3.34	13.00	3.89	3.82	12.98	3.40	4.33	12.96	2.99
18°C	2.77	17.35	6.26	2.90	16.26	5.61	3.03	15.17	5.01	3.20	14.09	4.40	3.39	13.00	3.83	3.88	12.98	3.35	4.39	12.96	2.95
17°C	2.84	17.35	6.11	2.97	16.26	5.47	3.10	15.17	4.89	3.25	14.09	4.34	3.43	13.00	3.79	3.93	12.98	3.30	4.45	12.96	2.91
16°C	2.90	17.35	5.98	3.03	16.26	5.37	3.16	15.17	4.80	3.31	14.09	4.26	3.48	13.00	3.74	3.99	12.98	3.25	4.51	12.96	2.87
15°C	2.98	17.35	5.82	3.10	16.26	5.25	3.22	15.17	4.71	3.36	14.09	4.19	3.53	13.00	3.68	4.04	12.98	3.21	4.57	12.96	2.84
14°C	3.06	17.35	5.67	3.17	16.26	5.13	3.28	15.17	4.63	3.41	14.09	4.13	3.59	13.00	3.62	4.10	12.98	3.17	4.64	12.96	2.79
13°C	3.16	17.35	5.49	3.25	16.26	5.00	3.34	15.17	4.54	3.47	14.09	4.06	3.64	13.00	3.57	4.16	12.98	3.12	4.70	12.96	2.76
12°C	3.24	17.35	5.35	3.32	16.26	4.90	3.40	15.17	4.46	3.52	14.09	4.00	3.70	13.00	3.51	4.22	12.98	3.08	4.77	12.96	2.72
11°C	3.34	17.35	5.19	3.40	16.26	4.78	3.46	15.17	4.38	3.58	14.09	3.94	3.75	13.00	3.47	4.28	12.98	3.03	4.83	12.96	2.68
10°C	3.42	17.35	5.07	3.47	16.26	4.69	3.52	15.17	4.31	3.63	14.09	3.88	3.81	13.00	3.41	4.34	12.98	2.99	4.90	12.96	2.64
9°C	3.48	17.35	4.99	3.53	16.26	4.61	3.58	15.17	4.24	3.70	14.09	3.81	3.87	13.00	3.36	4.41	12.98	2.94	4.98	12.96	2.60
8°C	3.52	17.35	4.93	3.58	16.26	4.54	3.64	15.17	4.17	3.76	14.09	3.75	3.94	13.00	3.30	4.49	12.98	2.89	5.00	12.83	2.57
7°C	3.58	17.35	4.85	3.64	16.26	4.47	3.70	15.17	4.10	3.83	14.09	3.68	3.97	12.75	3.21	4.56	12.98	2.85	5.04	12.71	2.52
6°C	3.91	17.07	4.36	4.02	16.01	3.98	4.13	14.95	3.62	4.36	14.00	3.21	4.46	12.77	2.86	5.03	12.98	2.58	5.22	12.64	2.42
5°C	4.24	16.86	3.98	4.40	15.82	3.60	4.56	14.79	3.24	4.88	13.92	2.85	4.92	12.78	2.60	5.49	12.98	2.36	5.52	12.58	2.28
4°C	4.25	16.64	3.92	4.37	15.63	3.58	4.49	14.62	3.26	4.91	13.71	2.79	5.12	12.80	2.50	5.59	12.98	2.32	5.74	12.53	2.18
3°C	4.25	16.43	3.87	4.33	15.45	3.57	4.41	14.46	3.28	4.95	13.51	2.73	5.31	12.82	2.41	5.70	12.98	2.28	5.95	12.48	2.10
2°C	4.26	16.22	3.81	4.30	15.26	3.55	4.34	14.30	3.29	4.98	13.30	2.67	5.51	12.83	2.33	5.80	12.98	2.24	6.17	12.43	2.01
1°C	4.32	16.01	3.71	4.40	15.07	3.43	4.48	14.13	3.15	5.09	13.29	2.61	5.61	12.85	2.29	5.91	12.94	2.19	6.29	12.37	1.97
0°C	4.36	15.80	3.62	4.49	14.88	3.32	4.62	13.97	3.02	5.19	13.28	2.56	5.71	12.86	2.25	6.01	12.91	2.15	6.40	12.32	1.93
-1°C	4.42	15.59	3.53	4.59	14.70	3.20	4.76	13.81	2.90	5.30	13.27	2.50	5.82	12.88	2.21	6.12	12.87	2.10	6.52	12.27	1.88
-2°C	4.46	15.38	3.45	4.68	14.51	3.10	4.90	13.64	2.78	5.40	13.26	2.46	5.92	12.90	2.18	6.22	12.84	2.06	6.63	12.22	1.84
-3°C	4.52	15.17	3.36	4.78	14.32	3.00	5.04	13.48	2.67	5.51	13.25	2.40	6.02	12.91	2.15	6.33	12.80	2.02	6.75	12.16	1.80
-4°C	4.65	14.95	3.22	4.89	14.13	2.89	5.13	13.32	2.60	5.62	13.25	2.36	6.11	12.93	2.12	6.38	12.71	1.99	6.78	12.11	1.79
-5°C	4.78	14.74	3.08	5.00	13.95	2.79	5.22	13.15	2.52	5.73	13.25	2.31	6.20	12.95	2.09	6.44	12.63	1.96	6.82	12.06	1.77
-6°C	4.91	14.53	2.96	5.11	13.76	2.69	5.31	12.99	2.45	5.83	13.25	2.27	6.28	12.96	2.06	6.49	12.54	1.93	6.85	12.01	1.75
-7°C	5.04	14.52	2.88	5.22	13.75	2.63	5.40	12.98	2.40	5.94	13.25	2.23	6.37	12.95	2.03	6.54	12.45	1.90	6.89	12.00	1.74
-8°C	5.05	14.16	2.80	5.24	13.57	2.59	5.43	12.98	2.39	5.98	13.09	2.19	6.41	12.78	1.99	6.58	12.28	1.87	6.89	11.72	1.70
-9°C	5.09	13.82	2.72	5.27	13.40	2.54	5.45	12.98	2.38	6.02	12.93	2.15	6.45	12.62	1.96	6.61	12.11	1.83	6.91	11.55	1.67
-10°C	5.10	13.46	2.64	5.29	13.22	2.50	5.48	12.98	2.37	6.06	12.77	2.11	6.49	12.45	1.92	6.65	11.93	1.79	6.92	11.37	1.64
-11°C	5.14	13.27	2.58	5.32	13.05	2.45	5.50	12.83	2.33	6.10	12.62	2.07	6.53	12.28	1.88	6.68	11.76	1.76	6.93	11.19	1.61
-12°C	5.15	13.08	2.54	5.34	12.87	2.41	5.53	12.66	2.29	6.13	12.46	2.03	6.56	12.12	1.85	6.72	11.59	1.72	6.94	11.01	1.59
-13°C	5.17	12.88	2.49	5.36	12.69	2.37	5.55	12.50	2.25	6.17	12.30	1.99	6.60	11.95	1.81	6.75	11.42	1.69	6.96	10.84	1.56
-14°C	5.20	12.71	2.44	5.39	12.52	2.32	5.58	12.33	2.21	6.21	12.14	1.95	6.64	11.78	1.77	6.79	11.24	1.66	6.97	10.66	1.53
-15°C	5.22	12.52	2.40	5.41	12.34	2.28	5.60	12.16	2.17	6.25	11.98	1.92	6.68	11.61	1.74	6.82	11.07	1.62	6.98	10.48	1.50
-16°C	5.14	11.99	2.33	5.33	11.87	2.23	5.52	11.75	2.13	6.18	11.64	1.88	6.66	11.45	1.72	6.82	10.81	1.59	6.98	10.25	1.47
-17°C	5.03	11.46	2.28	5.24	11.40	2.18	5.45	11.34	2.08	6.11	11.31	1.85	6.64	11.28	1.70	6.81	10.55	1.55	6.98	10.03	1.44
-18°C	4.95	10.96	2.21	5.16	10.94	2.12	5.37	10.92	2.03	6.04	10.97	1.82	6.62	11.01	1.66	6.81	10.30	1.51	6.98	9.80	1.40
-19°C	4.84	10.43	2.15	5.07	10.47	2.07	5.30	10.51	1.98	5.97	10.63	1.78	6.60	10.75	1.63	6.80	10.04	1.48	6.98	9.58	1.37
-20°C	4.76	9.90	2.08	4.99	10.00	2.00	5.22	10.10	1.93	5.90	10.30	1.75	6.58	10.49	1.59	6.80	9.78	1.44	6.98	9.35	1.34
-21°C	4.75	9.59	2.02	4.96	9.64	1.94	5.17	9.69	1.87	5.86	9.82	1.68	6.45	9.97	1.55	6.79	9.56	1.41	6.98	9.14	1.31
-22°C	4.73	9.25	1.96	4.92	9.25	1.88	5.11	9.25	1.81	5.52	9.35	1.69	6.32	9.45							

► Nominal performances tables in cooling mode

▼ Alféa hybrid duo gaz R6

		Starting temperature																				
		6°C			7°C			10°C			13°C			15°C			18°C			22°C		
		CC	IP	EER	CC	IP	EER	CC	IP	EER	CC	IP	EER	CC	IP	EER	CC	IP	EER	CC	IP	EER
Outdoor temperature	20°C	4.07	1.33	3.06	4.22	1.34	3.15	4.64	1.28	3.62	5.07	1.23	4.13	5.35	1.17	4.56	5.77	1.13	5.12	6.34	1.16	5.47
	21°C	4.07	1.36	3.00	4.22	1.36	3.10	4.64	1.31	3.54	5.07	1.26	4.03	5.35	1.21	4.41	5.77	1.16	4.99	6.34	1.20	5.29
	22°C	4.07	1.38	2.95	4.22	1.38	3.06	4.64	1.33	3.48	5.07	1.29	3.94	5.35	1.24	4.30	5.77	1.20	4.82	6.34	1.23	5.16
	23°C	4.07	1.40	2.91	4.22	1.40	3.02	4.64	1.36	3.41	5.07	1.32	3.85	5.35	1.27	4.20	5.77	1.23	4.71	6.34	1.27	5.00
	24°C	4.07	1.43	2.85	4.22	1.43	2.95	4.64	1.38	3.36	5.07	1.35	3.76	5.35	1.31	4.07	5.77	1.27	4.56	6.34	1.31	4.84
	25°C	4.07	1.45	2.81	4.22	1.45	2.91	4.64	1.41	3.29	5.07	1.38	3.68	5.35	1.34	3.98	5.77	1.31	4.42	6.34	1.35	4.70
	26°C	4.07	1.48	2.75	4.22	1.48	2.85	4.64	1.44	3.22	5.07	1.41	3.60	5.35	1.38	3.87	5.77	1.35	4.29	6.34	1.39	4.56
	27°C	4.07	1.51	2.70	4.22	1.51	2.80	4.64	1.48	3.13	5.07	1.45	3.50	5.35	1.42	3.76	5.77	1.40	4.13	6.34	1.44	4.41
	28°C	4.07	1.55	2.63	4.22	1.54	2.74	4.64	1.51	3.07	5.07	1.49	3.41	5.35	1.47	3.63	5.77	1.44	4.02	6.34	1.48	4.29
	29°C	4.07	1.58	2.58	4.22	1.58	2.67	4.64	1.55	2.99	5.07	1.53	3.32	5.35	1.51	3.54	5.77	1.49	3.88	6.34	1.52	4.17
	30°C	4.07	1.62	2.52	4.22	1.61	2.62	4.64	1.59	2.91	5.07	1.57	3.23	5.35	1.55	3.44	5.77	1.53	3.78	6.34	1.56	4.07
	31°C	4.07	1.65	2.47	4.22	1.65	2.56	4.64	1.63	2.84	5.07	1.62	3.13	5.35	1.60	3.34	5.77	1.58	3.66	6.34	1.60	3.96
	32°C	4.07	1.69	2.41	4.22	1.69	2.50	4.64	1.67	2.78	5.07	1.66	3.06	5.35	1.65	3.24	5.77	1.63	3.55	6.34	1.64	3.87
	33°C	4.07	1.73	2.36	4.22	1.73	2.44	4.64	1.72	2.69	5.07	1.71	2.97	5.35	1.69	3.16	5.77	1.68	3.44	6.34	1.69	3.75
	34°C	4.07	1.77	2.30	4.22	1.77	2.38	4.64	1.76	2.63	5.07	1.76	2.88	5.35	1.74	3.07	5.77	1.74	3.32	6.34	1.74	3.65
	35°C	4.07	1.82	2.24	4.22	1.82	2.32	4.64	1.81	2.56	5.07	1.81	2.80	5.35	1.80	2.97	5.77	1.80	3.21	6.34	1.79	3.54
	36°C	3.87	1.76	2.19	4.01	1.77	2.27	4.43	1.76	2.51	4.85	1.76	2.76	5.11	1.76	2.91	5.53	1.75	3.16	6.09	1.75	3.47
	37°C	3.66	1.71	2.14	3.81	1.72	2.22	4.21	1.71	2.46	4.63	1.70	2.72	4.88	1.71	2.85	5.28	1.70	3.11	5.84	1.72	3.39
	38°C	3.46	1.65	2.09	3.60	1.66	2.16	4.00	1.66	2.41	4.41	1.65	2.67	4.64	1.67	2.78	5.03	1.65	3.06	5.58	1.68	3.32
	39°C	3.25	1.60	2.03	3.40	1.61	2.11	3.78	1.61	2.35	4.19	1.60	2.62	4.41	1.62	2.72	4.79	1.60	3.00	5.33	1.65	3.23
40°C	3.04	1.54	1.97	3.19	1.56	2.04	3.57	1.56	2.29	3.98	1.55	2.57	4.17	1.58	2.65	4.54	1.55	2.93	5.08	1.61	3.15	
41°C	2.84	1.49	1.90	2.99	1.51	1.98	3.35	1.51	2.22	3.76	1.50	2.51	3.94	1.53	2.57	4.29	1.50	2.87	4.83	1.58	3.06	
42°C	2.63	1.43	1.83	2.78	1.46	1.91	3.14	1.46	2.15	3.54	1.45	2.45	3.70	1.49	2.49	4.05	1.45	2.80	4.58	1.54	2.96	
43°C	2.42	1.38	1.76	2.58	1.41	1.83	2.92	1.41	2.08	3.32	1.40	2.38	3.47	1.44	2.40	3.80	1.40	2.72	4.32	1.51	2.86	

▼ Alféa hybrid duo gaz R8

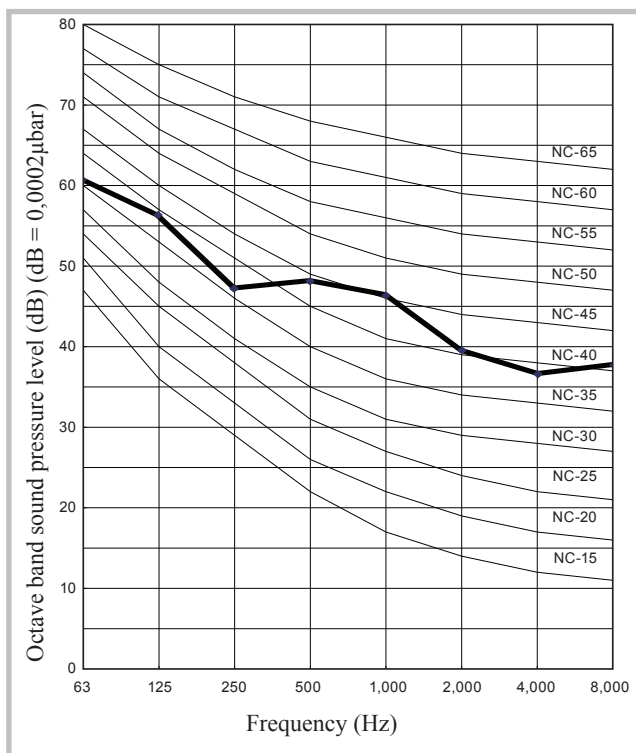
		Starting temperature																				
		6°C			7°C			10°C			13°C			15°C			18°C			22°C		
		CC	IP	EER	CC	IP	EER	CC	IP	EER	CC	IP	EER	CC	IP	EER	CC	IP	EER	CC	IP	EER
Outdoor temperature	20°C	5.78	1.93	2.99	5.95	1.92	3.10	6.48	1.85	3.51	7.01	1.80	3.90	7.36	1.76	4.17	7.89	1.71	4.61	8.60	1.67	5.15
	21°C	5.78	1.95	2.96	5.95	1.94	3.07	6.48	1.89	3.43	7.01	1.84	3.82	7.36	1.80	4.08	7.89	1.76	4.48	8.60	1.72	5.00
	22°C	5.78	1.98	2.92	5.95	1.97	3.02	6.48	1.92	3.38	7.01	1.87	3.76	7.36	1.84	3.99	7.89	1.80	4.38	8.60	1.77	4.86
	23°C	5.78	2.01	2.87	5.95	2.00	2.98	6.48	1.95	3.33	7.01	1.91	3.68	7.36	1.89	3.89	7.89	1.85	4.26	8.60	1.83	4.70
	24°C	5.78	2.03	2.84	5.95	2.03	2.93	6.48	1.99	3.26	7.01	1.95	3.60	7.36	1.93	3.81	7.89	1.90	4.15	8.60	1.88	4.57
	25°C	5.78	2.06	2.80	5.95	2.06	2.89	6.48	2.03	3.20	7.01	2.00	3.51	7.36	1.98	3.71	7.89	1.96	4.02	8.60	1.94	4.43
	26°C	5.78	2.09	2.76	5.95	2.09	2.85	6.48	2.06	3.15	7.01	2.04	3.44	7.36	2.03	3.62	7.89	2.01	3.92	8.60	2.00	4.30
	27°C	5.78	2.12	2.72	5.95	2.13	2.79	6.48	2.11	3.07	7.01	2.09	3.36	7.36	2.09	3.52	7.89	2.07	3.81	8.60	2.08	4.13
	28°C	5.78	2.18	2.65	5.95	2.19	2.72	6.48	2.17	2.99	7.01	2.15	3.27	7.36	2.15	3.42	7.89	2.14	3.68	8.60	2.14	4.02
	29°C	5.78	2.24	2.58	5.95	2.24	2.66	6.48	2.23	2.91	7.01	2.22	3.16	7.36	2.21	3.32	7.89	2.20	3.58	8.60	2.20	3.91
	30°C	5.78	2.30	2.51	5.95	2.30	2.59	6.48	2.29	2.83	7.01	2.28	3.08	7.36	2.28	3.22	7.89	2.26	3.49	8.60	2.27	3.79
	31°C	5.78	2.36	2.45	5.95	2.36	2.52	6.48	2.35	2.76	7.01	2.35	2.99	7.36	2.34	3.14	7.89	2.33	3.38	8.60	2.33	3.69
	32°C	5.78	2.43	2.38	5.95	2.43	2.45	6.48	2.42	2.68	7.01	2.42	2.90	7.36	2.41	3.05	7.89	2.40	3.28	8.60	2.40	3.58
	33°C	5.78	2.49	2.32	5.95	2.49	2.39	6.48	2.49	2.61	7.01	2.49	2.82	7.36	2.48	2.96	7.89	2.47	3.19	8.60	2.47	3.48
	34°C	5.78	2.56	2.26	5.95	2.56	2.33	6.48	2.56	2.53	7.01	2.56	2.74	7.36	2.55	2.88	7.89	2.54	3.10	8.60	2.55	3.37
	35°C	5.78	2.64	2.19	5.95	2.64	2.25	6.48	2.64	2.46	7.01	2.64	2.66	7.36	2.63	2.79	7.89	2.63	3.00	8.60	2.63	3.27
	36°C	5.60	2.62	2.14	5.77	2.61	2.21	6.28	2.59	2.42	6.79	2.58	2.63	7.12	2.58	2.76	7.63	2.57	2.97	8.31	2.56	3.25
	37°C	5.43	2.59	2.10	5.58	2.57	2.17	6.07	2.55	2.38	6.56	2.53	2.60	6.87	2.52	2.73	7.36	2.50	2.94	8.02	2.48	3.23
	38°C	5.26	2.57	2.05	5.39	2.54	2.12	5.87	2.51	2.34	6.34	2.47	2.56	6.63	2.46	2.70	7.09	2.43	2.92	7.73	2.41	3.20
	39°C	5.08	2.54	2.00	5.20	2.50	2.08	5.66	2.46	2.30	6.12	2.42	2.53	6.38	2.40	2.66	6.83	2.37	2.89	7.43	2.34	3.18
40°C	4.91	2.52	1.95	5.01	2.47	2.03	5.46	2.42	2.26	5.90	2.37	2.49	6.14	2.34	2.62	6.56	2.30	2.85	7.14	2.26	3.15	
41°C	4.74	2.49	1.90	4.83	2.44	1.98	5.25	2.37	2.21	5.67	2.31	2.45	5.89	2.28	2.58	6.29	2.23	2.82	6.85	2.19	3.13	
42°C	4.56	2.47	1.85	4.64	2.40	1.93	5.05	2.33	2.17	5.45	2.26	2.41	5.65	2.22	2.54	6.03	2.17	2.78	6.56	2.12	3.10	
43°C	4.39	2.44	1.80	4.45	2.37	1.88	4.84	2.29	2.12	5.23	2.20	2.37	5.40	2.16	2.50	5.76	2.10	2.75	6.27	2.04	3.07	

CC : Cooling capacity (kW)
 IP : Input power (kW)
 EER : Energy Efficiency Ratio

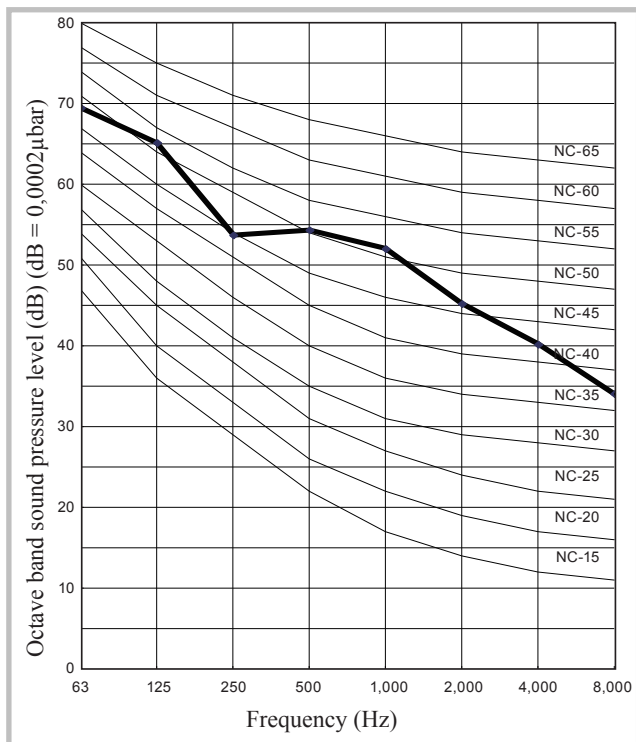
Sound power of the outdoor unit

► Sound power curves in heating mode

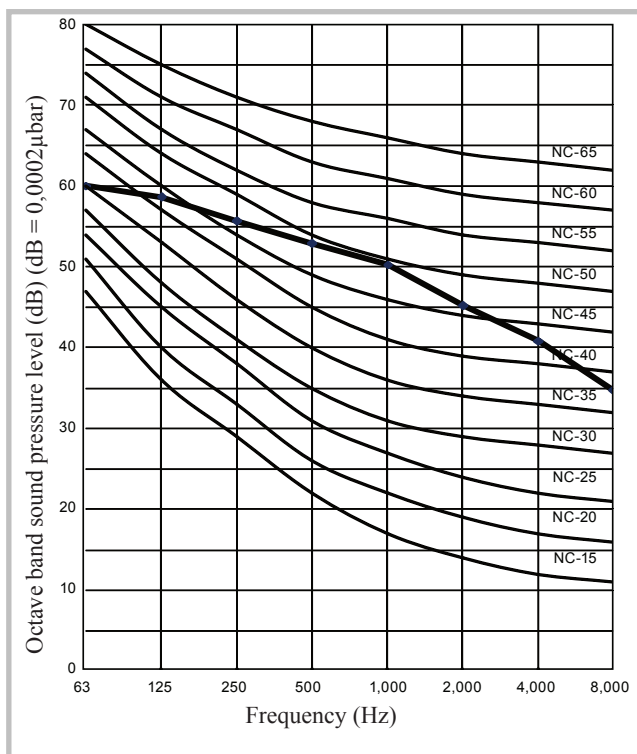
▼ **Alféa hybrid duo gaz R6**



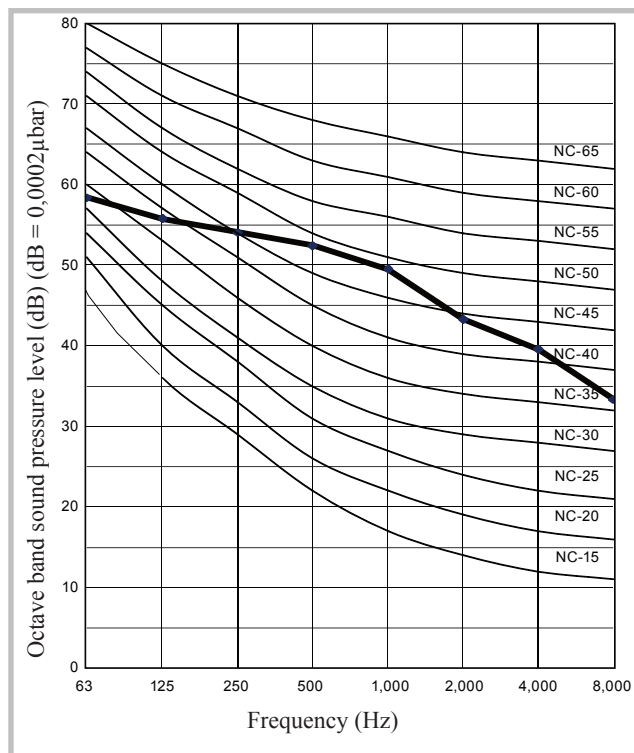
▼ **Alféa hybrid duo gaz R8**



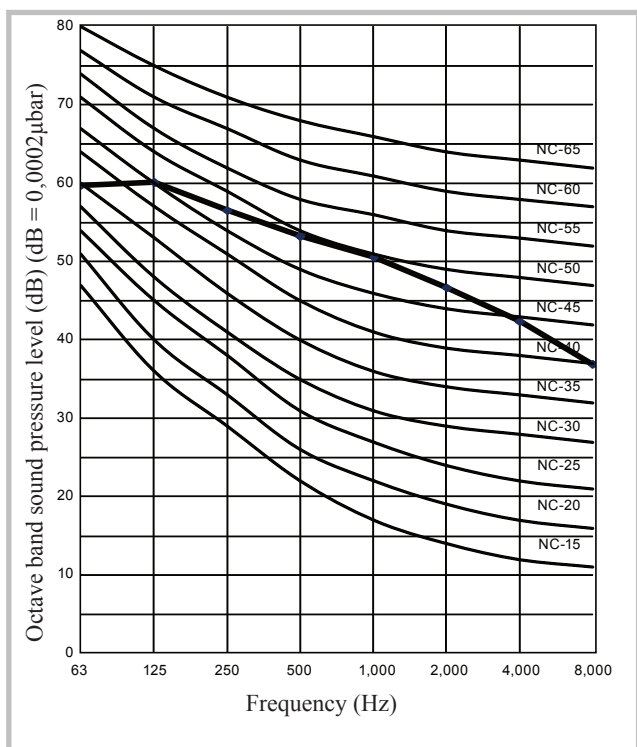
▼ Alféa hybrid duo gaz 11 monophasé



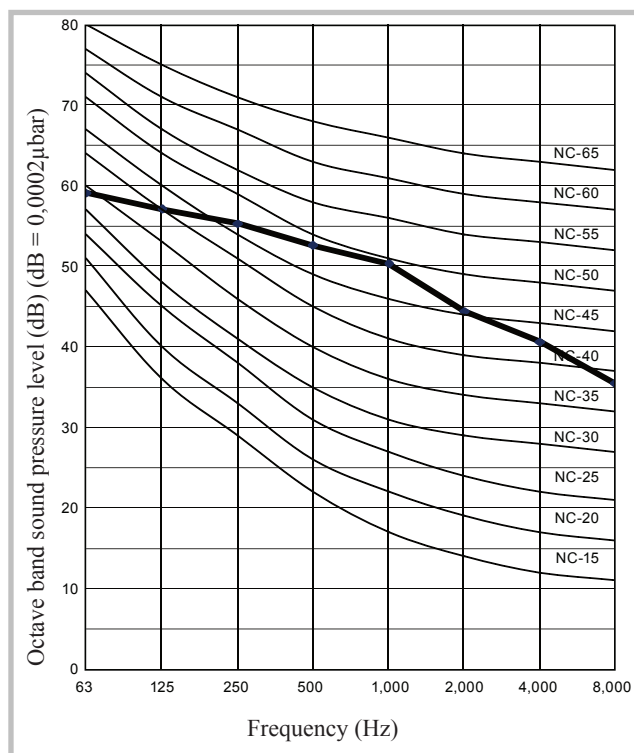
▼ Alféa hybrid duo gaz 11 triphasé



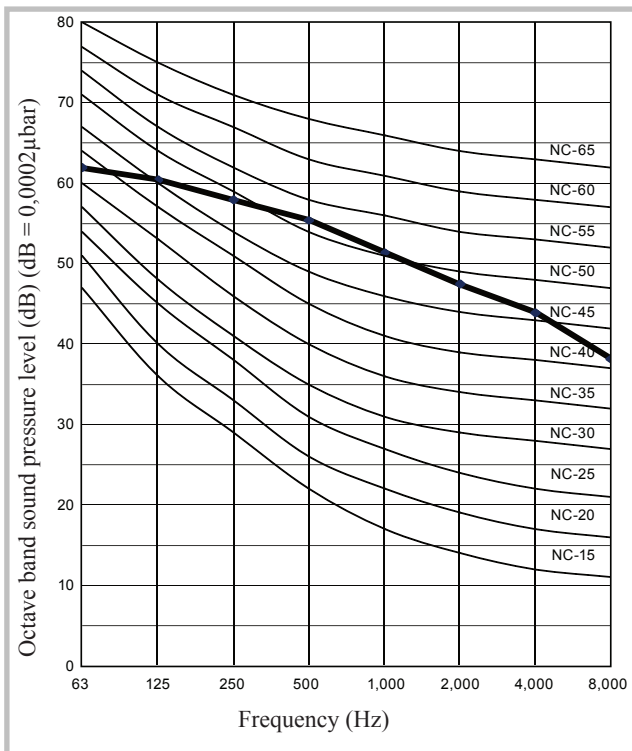
▼ Alféa hybrid duo gaz 14+ monophasé



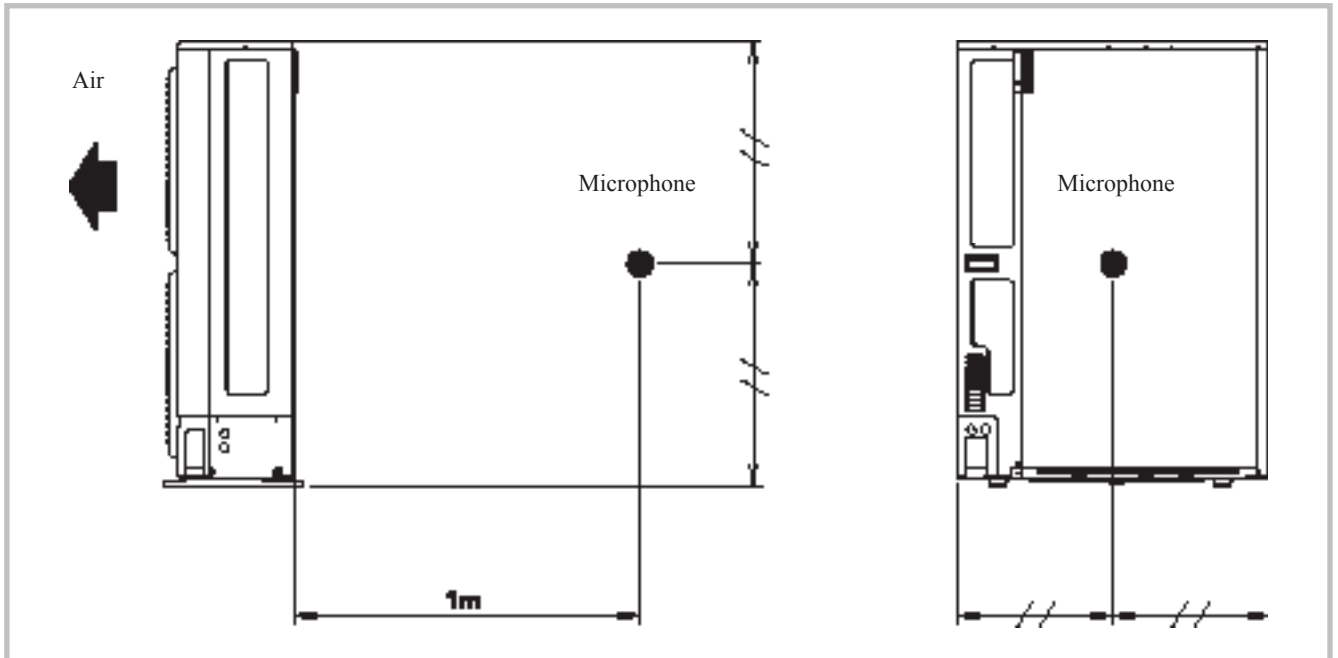
▼ Alféa hybrid duo gaz 14 triphasé



▼ Alféa hybrid duo gaz 16 triphasé



► Sound level check point



Éléments de sécurité

► Outdoor unit

		alféa hybrid duo gaz R6	alféa hybrid duo gaz R8
Calibre curve C breaker		16 A	20 A
Protection circuit	Fuse (near power supply)	20 A 250 V	25 A 250 V
		15 A 250 V	3,15 A 250 V
Protection ventilateur	Fuse (Main PCB)	10 A 250 V	
Protection compresseur			3.15 A 250 V
			OFF : 100 ±10°C ON : 95 ±10°C
Protection haute pression	Thermal protection program (Compressor temp.)	OFF : 108°C ON : 80°C	
	Thermal protection program (Discharge temp.)	OFF : 110°C ON : après 7 minutes	
Protection basse pression	Thermal protection program (Heat exchanger temp.)	OFF : 67°C ON : 63°C	
	Pressure sensor	OFF : 4.2 MPa ON : 3.0 MPa	
Protection basse pression (mode froid)	Pressure sensor	OFF : 0.12 MPa ON : 0.15 MPa	

		Single phase		3-phase		
		alféa hybrid duo gaz 11	alféa hybrid duo gaz 14+	alféa hybrid duo gaz tri 11	alféa hybrid duo gaz tri 14	alféa hybrid duo gaz tri 16
Calibre curve C breaker		32 A		20 A		
Protection circuit	Fuse (Main PCB)	5 A 250 V				
		3,15 A 250 V				
		10 A 250 V				
Protection ventilateur	Thermal protector	OFF : 150 +/- 15°C ON : 120 +/- 15°C		OFF : 140 +/- 20°C ON : 110 +/- 20°C		
Protection compresseur	Thermal protection program (Compressor temp.)	OFF : 112°C ON : 80°C				
	Thermal protection program (Discharge temp.)	OFF : 115°C ON : après 7 minutes				
Protection haute pression	Thermal protection program (Heat exchanger temp.)	OFF : 68°C ON : 63°C				
	Pressure sensor	OFF : 4,2 MPa ON : 3,0 MPa				
Protection basse pression	Pressure sensor	OFF : 0,12 MPa ON : 0,15 MPa				

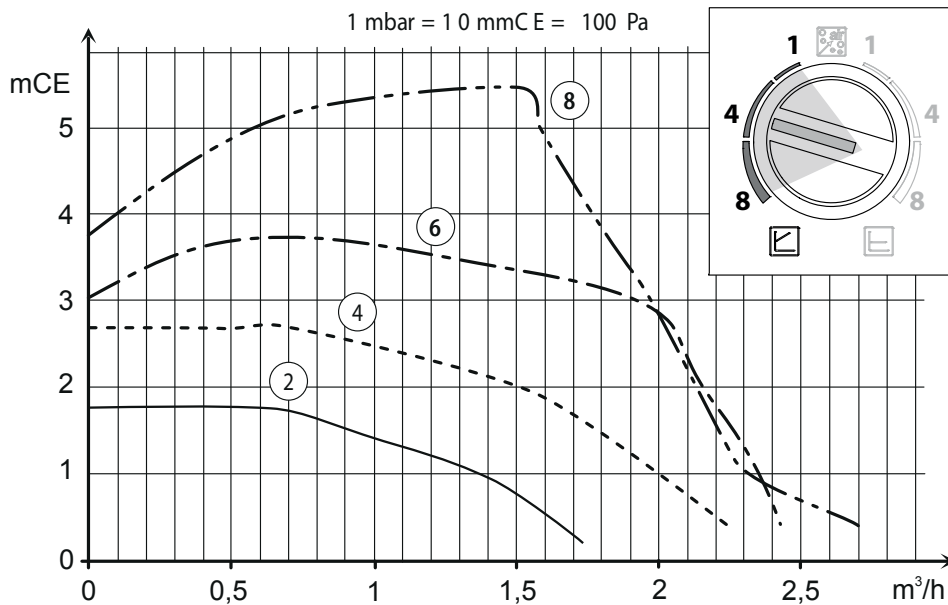
► Hydraulic unit

Maximum operating pressure	3 bar
Maximum operating pressure (DHW circuit)	7 bar

Hydraulic circuit

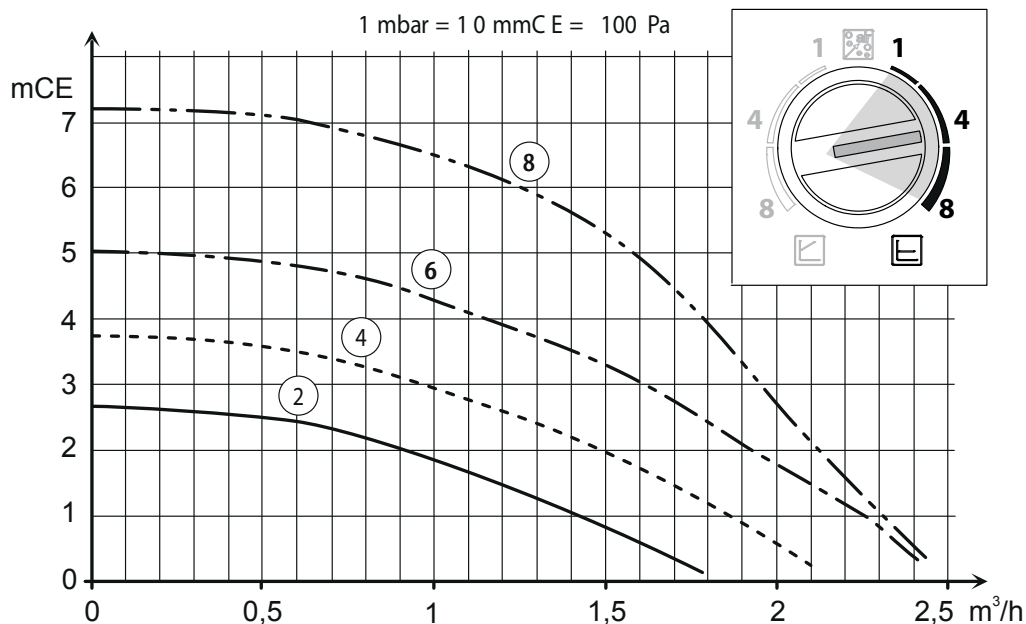
► Available pressure

Variable pressure



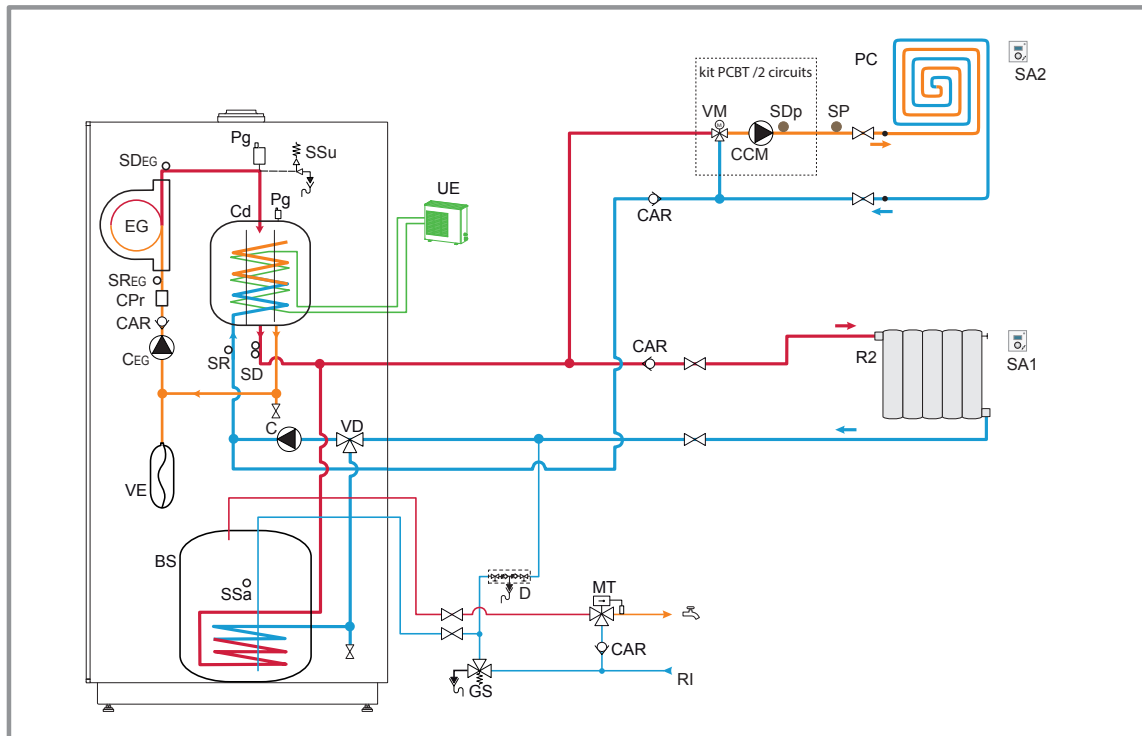
The circulation pump varies the water pressure depending on the flow rate. Recommended for an installation fitted with radiators (particularly any system with thermostatic valves or zone solenoids).

Constant pressure



The circulation pump maintains a constant water pressure whatever the flow rate. Recommended for an installation with constant pressure drops such as an underfloor heating system.

- 2 heating circuits (radiators + heating floor system)



Caption :

- BS - Domestic hot water tank
- CAR - Non-return valve
- C - Circulating pump (DHW and direct circuit)
- CCM - Mixing circuit pump
- Cd - Condenser
- CEG - Circulating pump gas burner chamber
- CPr - Hydraulic pressure sensor
- D - Backflow preventer
- EG - Gas burner chamber
- GS - Safety unit (Not supplied / required)
- MT - Thermostatic mixing valve
- PC - Heating floor system
- Pg - Air bleeder
- R / R2 - Radiators
- SA - Room sensor (optional)
- SA1 - Room sensor mixing circuit «CC1» (optional)
- SA2 - Room sensor direct circuit «CC2» (optional)
- SD - Flow sensor
- SDEG - Flow sensor gas chamber exchanger
- SDp - Flow sensor mixing circuit
- SP - Heated floor safety fus
- SR - Return sensor
- SREG - Return sensor gas chamber exchanger
- Ssa - DHW sensor
- SSu - Safety valve
- UE - Outdoor unit
- VD - Distribution valve
- VE - Expansion vessel
- VM - Mixing valve

Options

Function	Name	Reference
Ambient sensor	Ambient probe T55	073 951
	Ambient probe radio T58	075 313
	Central ambient unit T75	073 954
	Central radio ambient unit T78	074 061
DHW	Sanitary kit	074 026
2 Zones	2 Zones kit	074 012
Accessories for outdoor unit	Anti-vibration blocks (x4)	523 574
	White PVC floor support (x2)	809 532
	Cap for floor support (x4)	809 540
	Black rubber floor support (x2)	809 536
	Wall bracket ⁽¹⁾ 600 mm (with bar)	809 536
	Heater for drain pan	809 644
Refrigerant pipes ⁽²⁾	KM1 5M 5/8"-3/8"	809 565
	KM1 7M 5/8"-3/8"	809 567
	KM1 10M 5/8"-3/8"	809 570
	KM1 25M 5/8"-3/8" (20 m max.)	809 575
Protection pipes for refrigerant pipes	GO 80x60 (8 x 2 m)	809 709
	GO 80x60 (2 x 2 m)	809 716
	CGO 80x60 (x5)	809 723
	PMC 80x60 (x5)	809 729
Sucker accessories	Sucker extension 1 m Ø 80/125	073 413
	Sucker extension 0.5 m Ø 80/125	073 412
	Sucker extension 0.25 m Ø 80/125	073 411
	Sucker bend 90° Ø 80/125	073 414
	Sucker bend 45° Ø 80/125	073 416
	Sucker telescopic duct Ø 80/125	073 415
	«Solin ardoise» 25°-45°	019 085
	«Solin plomb naturel» 25°-45°	019 086
	«Solin plomb teinté ocre» 25°-45°	019 088
	«Solin toit de tuile» 25° à 45°	074 546
	Gate of protection horizontal sucker	074 539

⁽¹⁾ It's the installer to ensure that the wall bracket will not be installed in conditions likely to transmit vibrations (ground position is being preferred).

⁽²⁾ For better protection of isolant against UV, Atlantic recommend install protection pipes with the refrigerant pipes.



A series of horizontal dotted lines spanning the width of the page, providing a guide for handwriting practice.



A series of horizontal dotted lines spanning the width of the page, providing a guide for handwriting practice.



This equipment complies with:

- Regulation ((UE) 2016/426, Directive 92/42/CEE and these modification (93/68/CEE) in accordance with :
EN 13203-1,
EN 297 (chimney version),
EN 483,
EN 677,
- Low Voltage Directive 2014/35/EC in accordance with NF EN 60335-1, NF EN 60335-2-40, NF EN 60529, NF EN 60529/A2 (IP) standards,
- Electromechanical Compatibility Directive 2014/30/EC,
- Machines Directive 2006/42/EC,
- Pressure Equipment Directive 2014/68/EC in accordance with NF EN 378-2 standard,
- Ecodesign Directive 2009/125/EC and regulation (EU) No 813/2013,
- Regulation (EU) 2017/1369 setting a framework for energy labelling and regulation (EU) No 811/2013.

This appliance also complies with:

- Decree No. 92-1271 (and its modifications) relating to certain refrigeration fluids used in refrigeration and air conditioning equipment.
- Regulation 517/2014 of the European Parliament on certain fluorinated greenhouse gases.
- Standards relating to the product and testing methods used: Air-conditioners, liquid chiller units and heat pumps with a compressor driven by an electric motor for heating and refrigeration EN 14511-1, EN 14511-2, EN 14511-3, EN 14511-4, EN 14825.
- EN 12102-1 standard: determination of the sound power level



This appliance is marked with this symbol. It means that all electrical and electronic products must be strictly separated from household waste.

A specific recovery system for this type of product is in place in the countries of the European Union (*), Norway, Iceland and Liechtenstein.

Do not attempt to dismantle this product yourself. This can have adverse effects on your health and on the environment.

Refrigerant liquid, oil and other parts must be reprocessed by a qualified installer in accordance with applicable local and national laws.

In terms of recycling, this appliance must be processed by a specialised service and must not, under any circumstances, be thrown out with household waste, bulky waste or at a tip.

Please contact your heating engineer or After Sales service for further information.

* Depending on the national regulations of each member state.