

# Alfea Extensa <sup>ai</sup> R32

Split air-to-water heat pump for improved performances  
Average temperature solution for all projects



Remote piloting



## + BENEFITS

- Robust hydraulic conception due to patented coaxial heat exchanger
- Better performance, optimised acoustic pressure and increased energy efficiency
- Possibility of remote piloting via Cozytouch application due to NAVISTEM 400S control system
- Low acoustic level

## DESCRIPTION

- Average temperature solution for all projects
- 4 models :5 to 10 kW
- Single-phase models
- Heating only
- Patented coaxial heat exchanger
- Inverter regulation
- Integrated 16 L buffer tank

## AVAILABLE OPTIONS

- 2 zones kit (plug-and-play kit)
- Cooling kit
- Separate hot water tank
- Boiler connection kit
- Room controller

## Practical trainings

that will help you save time and be more efficient.



### On-site trainings

- PAC6-03-1: Install a new product - 1 day
- PAC6-05-1: Commissioning, maintenance and service - 1 day



### Online trainings

- PAC 6-13-5: Installation & commissioning - ½ day
- PAC 6-15-5: Services test & breakdowns - ½ day



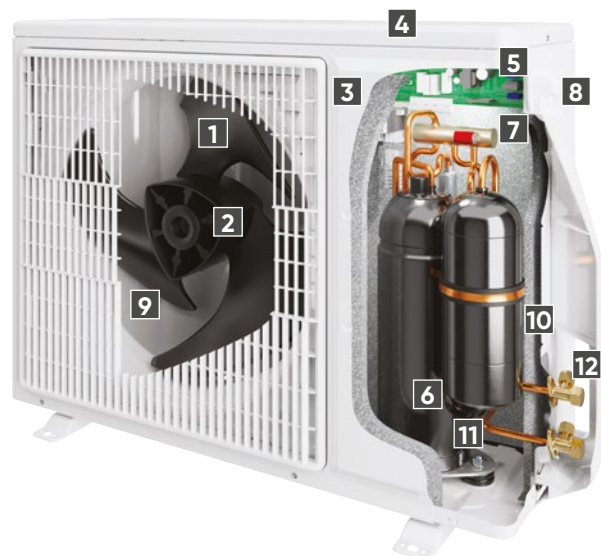
## INDOOR HYDRAULIC MODULE



- 1 Electric board
- 2 User interface/regulator
- 3 Manometer
- 4 Low-consumption circulation pump
- 5 Heating flow
- 6 Heating return
- 7 Refrigerant connections
- 8 Expansion vessel
- 9 Safety valve
- 10 Coaxial heat exchanger

## OUTDOOR INVERTER UNIT

- 1 Low-noise, high-output ventilator
- 2 Electric variable speed motor
- 3 "Inverter" control module
- 4 Control lights and buttons
- 5 Connection terminals (power supply and interconnection)
- 6 Refrigerant accumulator bottle
- 7 Cycle reversing valve
- 8 Anti-corrosion treated metal cover
- 9 High-performance exchange surface evaporator; anti-corrosion treated hydrophilic aluminium fins and grooved copper tubes
- 10 Electronic expansion valve
- 11 Noise and temperature insulated "Inverter" compressor
- 12 Refrigerating connection valves (flared connectors) with protective cover



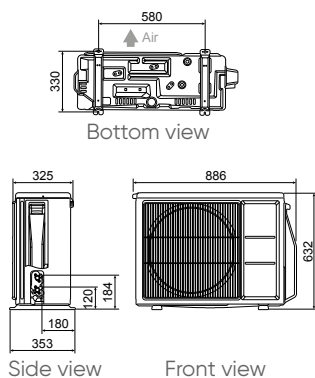
## TECHNICAL CHARACTERISTICS AND PERFORMANCES

	UNIT	ALFEA EXTENSA A.I. 5 R32	ALFEA EXTENSA A.I. 6 R32	ALFEA EXTENSA A.I. 8 R32	ALFEA EXTENSA A.I. 10 R32
<b>REFRIGERANT</b>		R32	R32	R32	R32
<b>ENERGY EFFICIENCY &amp; ACOUSTIC CHARACTERISTICS</b>					
<b>Energy class - Heating (35°C/55°C)</b>	-	<b>A+++ / A++</b>	<b>A+++ / A++</b>	<b>A+++ / A++</b>	<b>A+++ / A++</b>
Rated heat power (35°C/55°C)	kW	5/5	6/5	6/6	9/8
Annual energy consumption - Heating (35°C/55°C)	kWh	2322 / 3035	2594 / 3411	2982 / 3903	3 875 / 5 083
<b>Seasonal energy efficiency - Heating (35°C/55°C)</b>	%	<b>175 / 125</b>	<b>175 / 125</b>	<b>177 / 128</b>	<b>178 / 130</b>
Seasonal energy efficiency - Heating (35°C/55°C) with outdoor sensor	%	177 / 127	177 / 127	179 / 130	180 / 132
Sound power level (indoor/outdoor) <sup>(1)</sup>	dB(A)	40 / 57	40 / 57	40 / 60	40 / 62
<b>MAIN CHARACTERISTICS</b>					
<b>SCOP 35 °C / 55 °C</b>	-	<b>4,45 / 3,20</b>	<b>4,46 / 3,21</b>	<b>4,5 / 3,28</b>	<b>4,53 / 3,33</b>
Heating capacity +7°C/+35°C - Underfloor Heating	kW	4.50	5.50	7.50	9.50
COP +7°C/+35°C - Underfloor Heating		4.74	4.65	4.43	4.50
Heating capacity -7°C/+35°C - Underfloor Heating	kW	4.40	5.00	5.70	8.90
COP -7°C/+35°C - Underfloor Heating		2.76	2.63	2.68	3.36
Heating capacity +7°C/+45°C - Low T°radiators	kW	4.50	5.50	7.25	2.65
COP +7°C/+45°C - Low T°radiators		3.39	3.39	3.35	9.25
Heating capacity -7°C/+45°C - Low T°radiators	kW	4.28	4.82	5.58	8.61
COP -7°C/+45°C - Low T°radiator		2.26	2.21	2.17	2,27
Heating capacity +7°C/+55°C - Radiators	kW	4.50	5.50	7.00	9.00
COP +7°C/+55°C - Radiators		2.64	2.67	2.66	2,70
Heating capacity -7°C/+55°C - Radiators	kW	3.90	4.25	5.30	8.00
COP -7°C/+55°C - Radiators		1.85	1.89	1.90	1,95
Additional electric back-up heater	kW	3 / 6	3 / 6	3 / 6	3 / 6
<b>INDOOR HYDRAULIC MODULE</b>					
Noise level <sup>(2)</sup>	dB(A)	32	32	32	32
Net weight/filled weight <sup>(3)</sup>	kg	42 / ask for this information	42 / ask for this information	42 / ask for this information	42 / ask for this information
Power supply	V / Hz	230 / 50	230 / 50	230 / 50	230 / 50
<b>OUTDOOR UNIT</b>					
Noise level <sup>(4)</sup>	dB(A)	35	35	38	40
Operating weight	kg	43	43	46	62
<b>REFRIGERANT CHARACTERISTICS</b>					
Min./max. length	m	3 / 30	3 / 30	3 / 30	3 / 30
Max. difference in height	m	20	20	20	20
R32 factory load	g	970	970	1 020	1 630
Quantity of refrigerant in tons of CO <sub>2</sub> equivalent	t	0,65	0,65	0,69	1.10

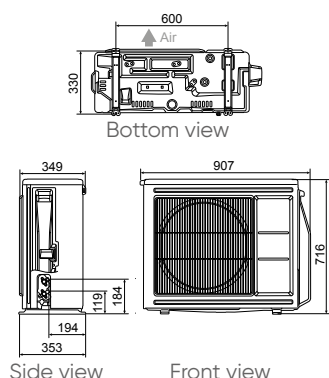
(1) Sound power level is a laboratory measurement of the sound power emitted by the product, but it does not correspond to the sound perceived. Used by acoustics specialists, it allows to measure the sound pressure level of the product in its working environment. - (2) Acoustic pressure at 1m from HP, 1,5 m height, open field, directivity 2. (3) Models with electric back-up. - (4) Acoustic pressure at 5m from HP, 1,5 m height, open field, directivity 2.

## INSTALLATION DIMENSIONS (mm)

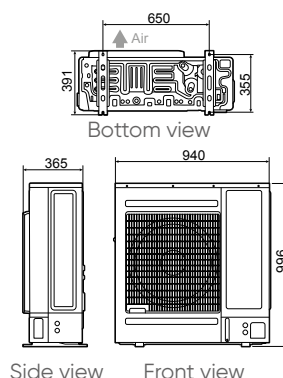
Outdoor Inverter unit  
Alfea Extensa A.I. R32 5 and 6



Outdoor Inverter unit  
Alfea Extensa A.I. R32 8



Outdoor Inverter unit  
Alfea Extensa A.I. R32 10



Indoor hydraulic  
module

