

Alfea Extensa Duo R32

Split air-to-water heat pump for improved performances (heating + DHW)
Average temperature solution for all projects



Remote piloting



BENEFITS

- Robust hydraulic conception due to patented coaxial heat exchanger
- Better performance, optimised acoustic pressure and increased energy efficiency
- Possibility of remote piloting via Cozytouch application due to NAVISTEM 400S control system
- DHW tank with high-performance regulation

DESCRIPTION

- Average temperature solution for all projects
- 5 models : 3 to 10 KW
- Single-phase models
- Heating and DHW integrated
- Patented coaxial heat exchanger
- Inverter regulation
- Integrated 16 L buffer tank

AVAILABLE OPTIONS

- 2 zones kit (plug-and-play)
- Cooling kit
- Boiler connection kit
- Room controller

Practical trainings

that will help you save time and be more efficient.



On-site trainings

- PAC6-03-1: Install a new product - 1 day
- PAC6-05-1: Commissioning, maintenance and service - 1 day



Online trainings

- PAC 6-13-5: Installation & commissioning - ½ day
- PAC 6-15-5: Services test & breakdowns - ½ day



35°C

55°C

Cozytouch

homecontrol®

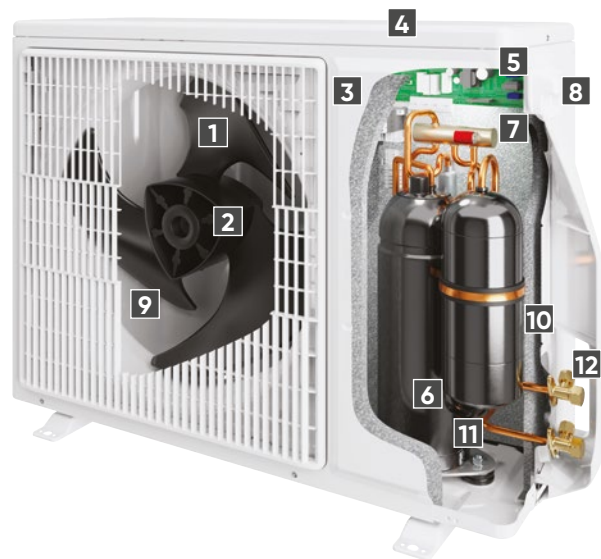
INDOOR HYDRAULIC MODULE



- 1 Electric board
- 2 User interface/regulator
- 3 Low-consumption circulation pump
- 4 "Gas" refrigeration connection
- 5 "Liquid" refrigeration connection
- 6 Manometer
- 7 Expansion vessel
- 8 Coaxial heat exchanger
- 9 DHW electric back-up

OUTDOOR INVERTER UNIT

- 1 Low-noise, high-output ventilator
- 2 Electric variable speed motor
- 3 "Inverter" control module
- 4 Control lights and buttons
- 5 Connection terminals (power supply and interconnection)
- 6 Refrigerant accumulator bottle
- 7 Cycle reversing valve
- 8 Anti-corrosion treated metal cover
- 9 High-performance exchange surface evaporator; anti-corrosion treated hydrophilic aluminium fins and grooved copper tubes
- 10 Electronic expansion valve
- 11 Noise and temperature insulated "Inverter" compressor
- 12 Refrigerating connection valves (flared connectors) with protective cover

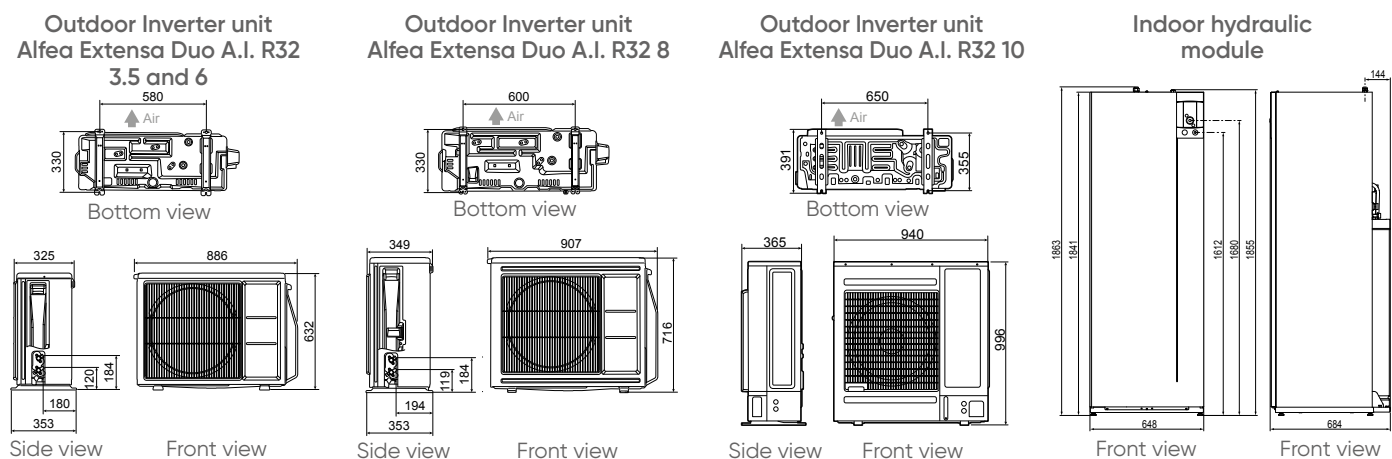


TECHNICAL CHARACTERISTICS AND PERFORMANCES

	UNIT	ALFEA EXTENSA DUO A.I. 3 R32	ALFEA EXTENSA DUO A.I. 5 R32	ALFEA EXTENSA DUO A.I. 6 R32	ALFEA EXTENSA DUO A.I. 8 R32	ALFEA EXTENSA DUO A.I. 10 R32
REFRIGERANT		R32	R32	R32	R32	R32
ENERGY EFFICIENCY & ACOUSTIC CHARACTERISTICS						
Energy class - Heating (35°C/55°C)	-	A+++ / A+	A+++ / A++	A+++ / A++	A+++ / A++	A+++ / A++
Rated heat power (35°C/55°C)	kW		5 / 5	6 / 5	6/6	9/8
Annual energy consumption - Heating (35°C/55°C)	kWh		2322 / 3035	2594 / 3411	2982 / 3903	3 875 / 5 083
Seasonal energy efficiency - Heating (35°C/55°C)	%	to be confirmed	175 / 125	175 / 125	177 / 128	178 / 130
Seasonal energy efficiency - Heating (35°C/55°C) with outdoor sensor	%		177/127	177/127	179/130	180 / 132
Sound power level (indoor/outdoor) ⁽¹⁾	dB(A)		40 / 57	40 / 57	40 / 60	40 / 62
Declared load profile - DHW	-	L	L	L	L	L
Energy class - DHW	-	A+	A+	A+	A+	A+
Annual energy consumption - DHW	kWh	793	793	793	793	793
Seasonal energy efficiency (%) - DHW	%	130	130	130	130	130
MAIN CHARACTERISTICS						
SCOP 35 °C / 55 °C	-		4.45 / 3.20	4.46 / 3.21	4.5 / 3.28	4.53 / 3.33
Heating capacity +7°C/+35°C – Underfloor Heating	kW		4.50	5.50	7.50	9.50
COP +7°C/+35°C - Underfloor Heating			4.74	4.65	4.43	4.50
Heating capacity -7°C/+35°C – Underfloor Heating	kW		4.40	5.00	5.70	8.90
COP -7°C/+35°C - Underfloor Heating			2.76	2.63	2.68	2.65
Heating capacity +7°C/+45°C – Low T°radiators	kW		4.50	5.50	7.25	9.25
COP +7°C/+45°C – Low T°radiators		to be confirmed	3.39	3.39	3.35	3.40
Heating capacity -7°C/+45°C – Low T°radiators	kW		4.28	4.82	5.58	8.61
COP -7°C/+45°C – Low T°radiator			2.26	2.21	2.17	2.27
Heating capacity +7°C/+55°C - Radiators	kW		4.50	5.50	7.00	9.00
COP +7°C/+55°C - Radiators			2.64	2.67	2.66	2.70
Heating capacity -7°C/+55°C - Radiators	kW		3.90	4.25	5.30	8.00
COP -7°C/+55°C - Radiators			1.85	1.89	1.90	1.95
Additional electric back-up heater	kW		3 / 6	3 / 6	3 / 6	3 / 6
INDOOR HYDRAULIC MODULE						
Noise level ⁽²⁾	dB(A)	to be confirmed	32	32	32	34
Net weight/filled weight ⁽³⁾	kg	143 / 373	143 / 373	143 / 373	143 / 373	145 / 363
Power supply	V/Hz	230 / 50	230 / 50	230 / 50	230 / 50	230 / 50
OUTDOOR UNIT						
Noise level ⁽⁴⁾	dB(A)	to be confirmed	35	35	38	38
Operating weight	kg	39	43	43	46	62
REFRIGERANT CHARACTERISTICS						
Min./max. length	m	3 / 30	3 / 30	3 / 30	3 / 30	3 / 30
Max. difference in height	m	20	20	20	20	20
R32 factory load	g	970	970	970	1 020	1 630
Quantity of refrigerant in tons of CO ₂ equivalent	t	0,65	0,65	0,65	0.69	1.10

(1) Sound power level is a laboratory measurement of the sound power emitted by the product, but it does not correspond to the sound perceived. Used by acoustics specialists, it allows to measure the sound pressure level of the product in its working environment. - (2) Acoustic pressure at 1m from HP, 1,5 m height, open field, directivity 2. - (3) Models with electric back-up. - (4) Acoustic pressure at 5m from HP, 1,5 m height, open field, directivity 2.

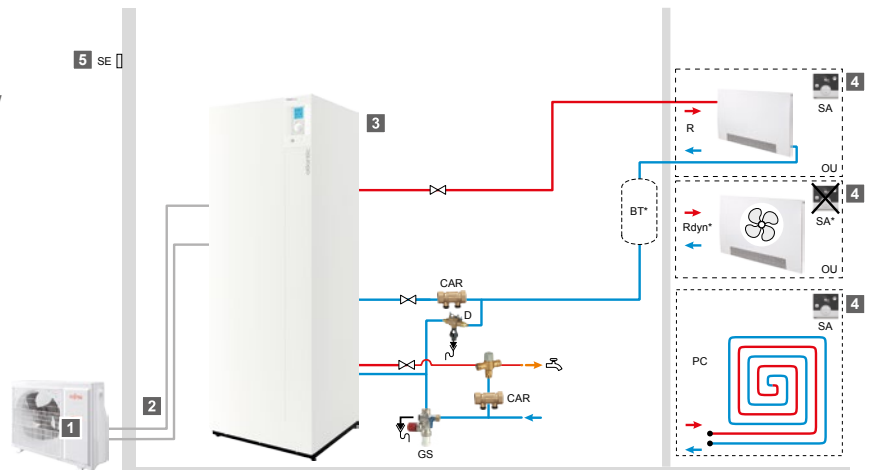
INSTALLATION DIMENSIONS (mm)



INSTALLATION SCHEMATICS

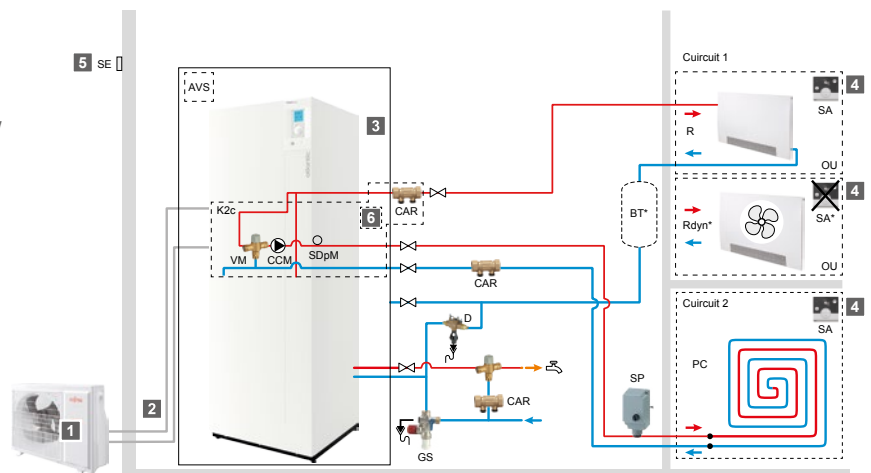
ALFEA EXTENSA DUO A.I.R32: 1 HEATING ZONE

- 1** Outdoor unit and ground support*
- 2** Refrigerant connections*
- 3** Hydraulic module with integrated DHW
- 4** Room controller*
- 5** Outdoor sensor



ALFEA EXTENSA DUO A.I.R32: 2 HEATING ZONES

- 1** Outdoor unit and ground support*
- 2** Refrigerant connections*
- 3** Hydraulic module with integrated DHW
- 4** Room controller*
- 5** Outdoor sensor
- 6** 2 zones kit* (integrated in the hydraulic module)



*Optional