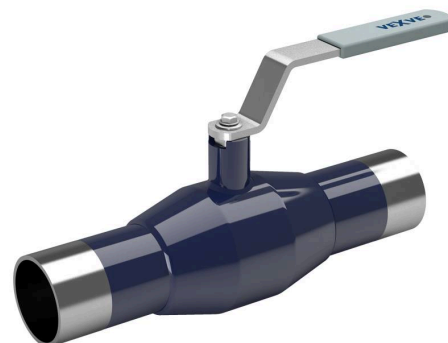


# Steel ball valves, reduced bore

100 series, welding / welding, EN (DIN), DN 65-250, reduced bore

Body	DN 65-250 Steel, P235GH (1.0345)
Ball	DN 65-250 Stainless steel, X5CrNi18-10 (1.4301)
Ball seal	DN 65-250 PTFE+C
Stem	DN 65-250 Stainless steel, X8CrNiS18-9 (1.4305)
Stem seal	DN 65-250 FPM
Operation	DN 65-250 With zinc-plated steel handle



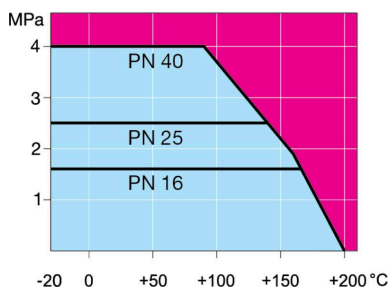
## Operation conditions

-20 °C – +200 °C

Below -20 °C contact manufacturer

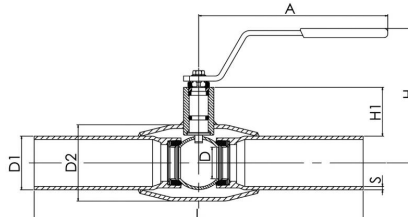
Lowest allowed ambient temperature -40 °C

Leakage rate A (EN 12266-1)

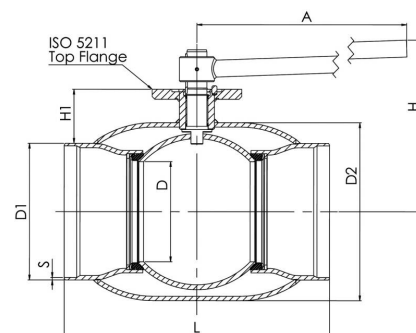


Not for steam

DN 65-150



DN 200-250



DN	PN	Product no.	A	D	D1	D2	H	H1	L	S	kg
65	25	100065	277,5	50	76.1	101.6	159	62	300	2,9	4.0
80	25	100080	277,5	65	88.9	121.0	171	68	300	3,2	5.4
100	25	100100	278,5	80	114.3	139.7	218	101	325	3,6	8.4
125	25	100125	400	100	139.7	177.8	252	101	325	4	13.0
150	25	100150	600	125	168.3	219.1	272	107	350	4,5	18.0
200	25	100200	870	150	219.1	273.0	280	92	400	4.5	38.0
250	25	100250	1200	200	273.0	355.6	350	108	530	5	74.0

# Steel ball valves, reduced bore

100 series, welding / welding, EN (DIN), DN 300-500, reduced bore

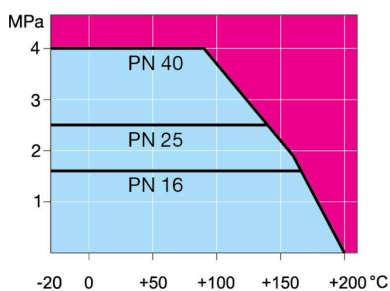
Body	DN 300-500 Steel, P235GH (1.0345)
Ball	DN 300-500 Stainless steel, X5CrNi18-10 (1.4301)
Ball seal	DN 300-500 PTFE+C
Stem	DN 300-500 Stainless steel, X8CrNiS18-9 (1.4305)
Stem seal	DN 300-500 FPM
Operation	DN 300-500 Valves are available with manual gear or with an electric or hydraulic actuator



## Operation conditions

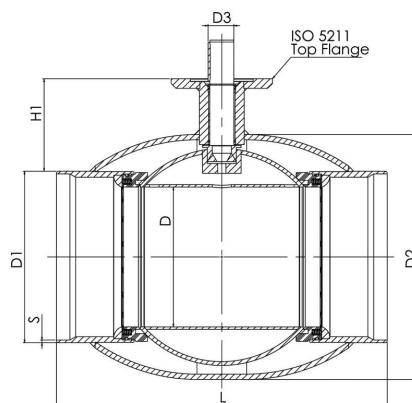
-20 °C – +200 °C  
 Below -20 °C contact manufacturer  
 Lowest allowed ambient temperature -40 °C

Leakage rate A (EN 12266-1)



Not for steam

DN 300-500



DN	PN	Product no.	D	D1	D2	D3	H1	L	S	kg
300	25	100300	250	323.9	457.0	50.0	133	550	5.6	110.0
350	25	100350	290	355.6	508.0	50.0	192	686	6,3	170.0
400	25	100400	340	406.4	610.0	70.0	242	762	7,0	250.0
500	25	100500	390	508.0	660.0	90.0	259	914	7,0	400.0