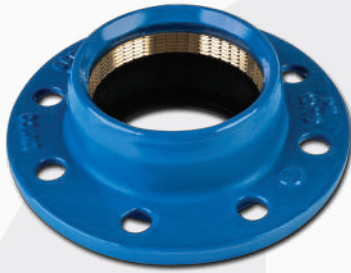


FLANGE ADAPTOR FOR PE/PVC PIPES series AQZ

FLANGE ADAPTOR FOR PE/PVC PIPES series APA



APPLICATION

Flange adaptors dedicated for PE and PVC pipes

DESIGN FEATURES

Quick restrained connection with brass ring prevents axial movement of the pipe

TECHNICAL CHARACTERISTICS

Flange end connections according to EN1092-2: PN10&PN16
 Maximum working pressure: PN16 / 16 bar
 Working temperature: 0°C - +70°C
 Color RAL5015
 Powder epoxy coating 250 µm thickness

APPLICATION

Flange adaptors dedicated for PE and PVC pipes

DESIGN FEATURES

Restrained connection with locking teeth prevents axial movement of the pipe

TECHNICAL CHARACTERISTICS

Flange end connections according to EN1092-2: PN10
 Maximum working pressure: PN16 / 16 bar
 Working temperature: 0°C - +70°C
 Color RAL5015
 Powder epoxy coating 250 µm thickness
 Bolts and nuts - 4.8 steel hot dip galvanized

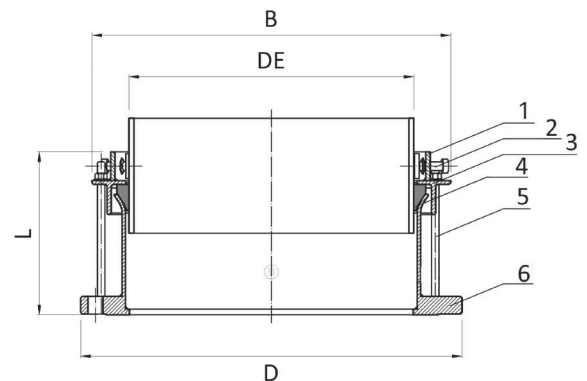
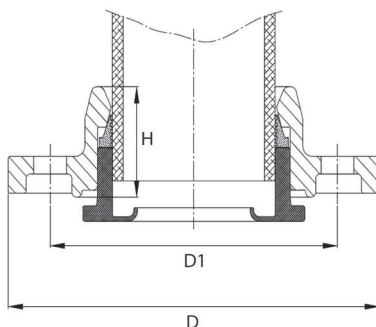
FLANGE ADAPTOR AND COUPLINGS

DN	Flange drilling	DE	H	D	D1	KG	BLUCAST ref. no.
50	PN10/16	63	45	165	125	2.5	AQZ050063
60-65	PN10/16	63	45	185	125	2.5	AQZ065063
60-65	PN10/16	75	45	185	145	2.6	AQZ065075
80	PN10/16	90	53	200	160	3.3	AQZ080090
100	PN10/16	110	56	220	180	3.5	AQZ100110
125	PN10/16	125	60	250	210	4	AQZ125125
150	PN10/16	160	69	285	240	6.2	AQZ150160
200	PN10/16	200	74	340	295	8.5	AQZ200200
200	PN10/16	225	74	340	295	8.7	AQZ200225
250	PN10/16	250	85	400	355	9	AQZ250250
300	PN10/16	315	95	455	410	11	AQZ300315
400	PN10/16	400	105	565	515	14	AQZ400400

DN	Flange drilling	DE	L	D	B	KG	BLUCAST ref. no.
300	PN10	355	277	455	487	31,4	APA300355
350	PN10	355	285	505	487	35,2	APA350355
400	PN10	400	285	565	532	43,7	APA400
400	PN10	455	285	565	632	52,2	APA400455
450	PN10	455	285	610	632	55	APA450
500	PN10	500	285	670	632	59	APA500
600	PN10	630	285	780	762	72,2	APA600

No.	Item	Material
1	Body	Ductile iron EN-GJS-500-7
2	Locking ring	Brass
3	Sealing gasket	EPDM

No.	Item	Material
1	Restraining tooth	4.8 steel hot dip galvanized
2	Bolt	4.8 steel hot dip galvanized
3	Bracket	EN-GJS-500-7
4	Gasket	EPDM
5	Bolt	4.8 steel hot dip galvanized
6	Body	EN-GJS-500-7



All illustrations, technical data, dimensions (in mm) and weights (all weights specified in kg) are non-binding and are subject to change