

SADDLE FOR DUCTILE IRON PIPES series BK

STAINLESS STEEL BAND series JB



APPLICATION

BLUCAST series BK saddles can be used with different pipe sizes. Designed to be used with series JB stainless steel bands.

TECHNICAL CHARACTERISTICS

Maximum working pressure: PN16 / 16 bar
 Working temperature: 0°C - +70°C
 Color RAL5015
 Powder epoxy coating 250 µm thickness
 Body from ductile iron EN-GJS-500-7
 Gasket: EPDM

APPLICATION

JB stainless steel bands are to be used with BK saddles or BFL saddles.

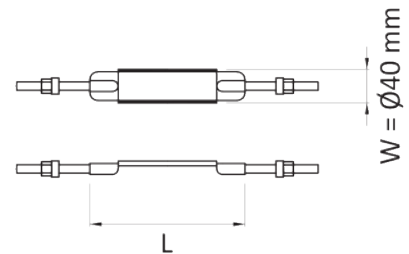
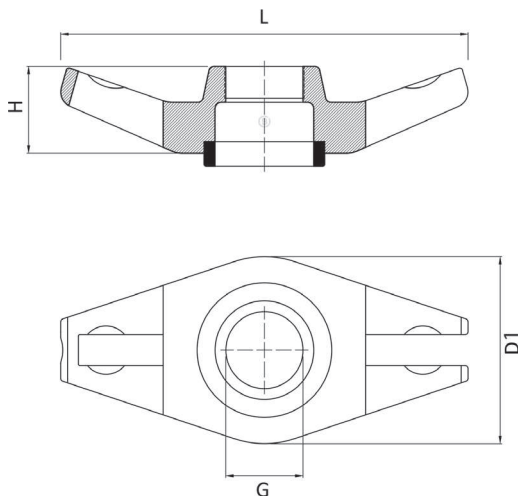
TECHNICAL CHARACTERISTICS

Maximum working pressure: PN16 / 16 bar
 Working temperature: 0°C - +70°C
 Body from stainless steel AISI304
 EPDM gasket

TAPPING SADDLES

DN	G	H	L	Weight	D1	Straps needed	BLUCAST ref. no.
50-200	1"	45	150	1.1	70	1	BK0501
50-200	1 1/4"	45	150	1.1	70	1	BK050114
50-200	1 1/2"	45	150	1.1	70	1	BK050112
100-300	1"	45	195	2.7	92	1	BK1001
100-300	1 1/4"	45	195	2.7	92	1	BK100114
100-300	1 1/2"	45	195	2.7	92	1	BK100112
100-300	2"	45	195	2.7	92	1	BK1002
80-700	2"	65	216	2.7	157	1	BK0802

DE range	BK 50-200	BK100-300	BK80-700	L	Weight	BLUCAST ref. no.
60-77	x			160	0.32	JB060077
77-95	x		x	200	0.34	JB077095
98-119	x		x	270	0.39	JB098119
102-122	x	x	x	278	0.40	JB102122
120-150	x	x	x	295	0.42	JB120150
125-135	x	x	x	295	0.43	JB125135
139-160	x	x	x	368	0.47	JB139160
150-180	x	x	x	392	0.49	JB150180
200-230		x	x	530	0.56	JB200230
230-250		x	x	610	0.60	JB230250
250-280		x	x	675	0.65	JB250280
285-315		x	x	770	0.71	JB285315
315-340		x	x	860	0.77	JB315340
410-435			x	1060	0.92	JB410435



All illustrations, technical data, dimensions (in mm) and weights (all weights specified in kg) are non-binding and are subject to change