

Cim 138

Anti freeze valve for heat pumps



This article was made in compliance with the quality management requirements of ISO 9001 standard. All articles are tested according to the EN 12266-1 standard.

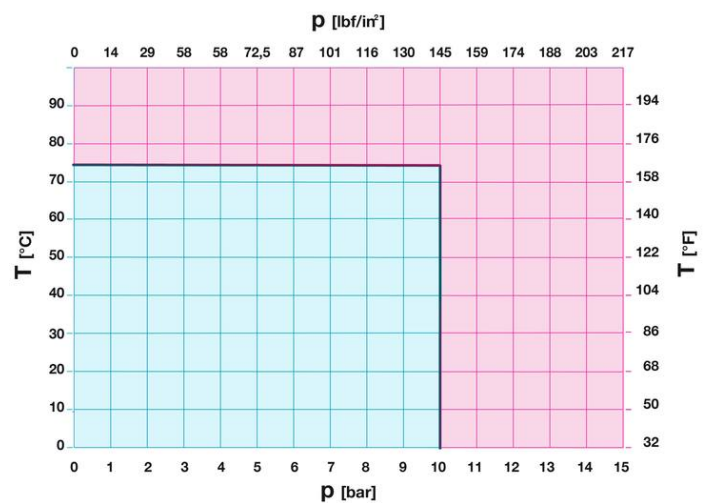
Used to prevent the formation of ice in the circuit of a system avoiding possible damage to the machine and piping. Antifreeze valve allows drainage of the medium when the circuit temperature reaches a value of 3° c.

It is made of a brass alloy that complies with standard EN 12165-CW617N-DW.

Max. static working pressure: PN 10

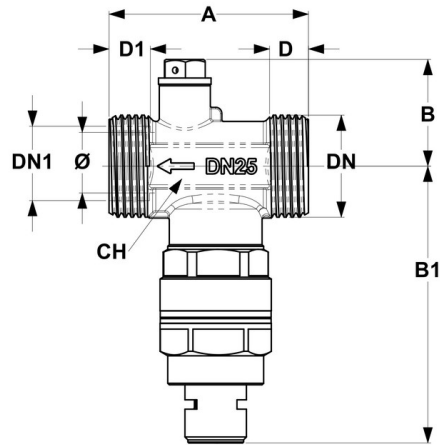
Working temperature range: 0 ÷ 75°C
 Temperature of the fluid (opening): 3 °C
 Temperature of the fluid (closing): 4 °C
 Accuracy: ±1 °C

PRESSURE TEMPERATURE RATINGS



Notes:
 1 bar = 14,5 psi
 1 bar = 14,5 lbf/in²
 °C = 5/9 x (°F-32)
 °F = 32 + (9/5 x °C)

TECHNICAL DRAWING

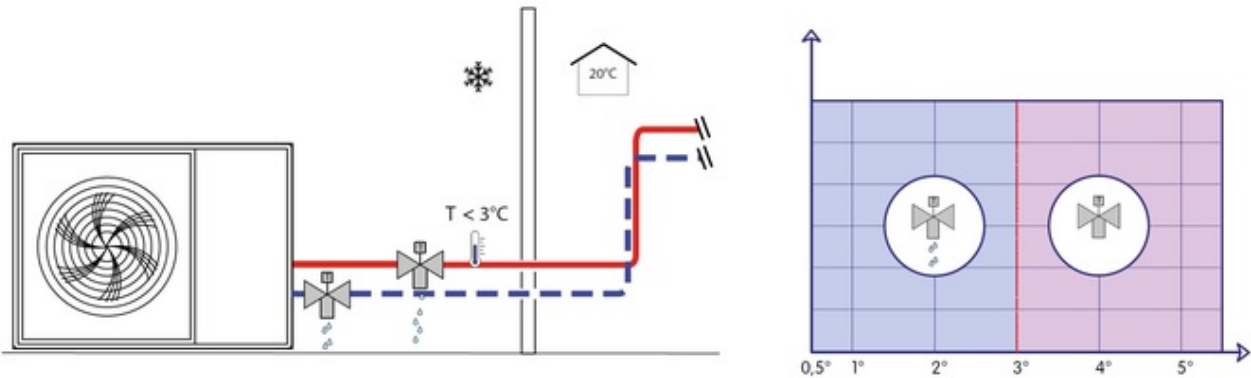


DNXDN1	1"x3/4"	1"1/4x1"	1"1/2x1"1/2
Ø mm	16	23	31
Grms.	475	520	525
A	64,5	64,5	64,5
B	34,5	38	42
B1	92	95,5	99,5
D	13	13	13
D1	12,	12,5	12,5
CH	30	36	44

Thread:
ISO 228

Upon request:
ANSI B.1.20.1 - NPT

TECHNICAL CHARACTERISTICS



KV - Q

DNXDN1	1"x3/4"	1"1/4x1"	1"1/2x1"1/4
Ø mm	21	23	31
KV	55	66	90
Q 3	0,3	0,3	0,3
Q 0.5	3	3	3

KV = Flow in m³/h at pressure loss of 1 bar.

Q3 = Exhaust flow rate in l/h at 3°C with pressure of 3 bar

Q0.5 = Exhaust flow rate in l/h a 0,5°C with pressure of 3 bar.

Regulation REACH

Pursuant to Art. 33 of Regulation REACH, please be advised that the components made of bronze alloy and brass included in the products we supply contain lead as an alloy element in a weight that is higher than the limit of 0,1 %. Lead was included in the SVHC chemicals list proposed during the authorisation process, as published on the 24th June 2018 in the of European Chemical Agency (ECHA) update.

Lead was included with following information:

- Chemical: Lead
- CAS:7439-92-1
- EC:231-100-4
- List: SVHC
- Registration date: 27th June 2018.

As lead is an alloy element in the products, neither exemption is considered, nor further information referred to the use of the product is required. The list is available at this link: <https://echa.europa.eu/it/candidate-list-table>. (As it is a list subject to a constant update, we declare a frequent monitoring of further chemicals new entries in the list, and the immediate reporting to our customers in case some chemicals of our products is included).

Be sure that materials and features of the articles are suitable for their application and in compliance with the valid local regulations.

OUR CERTIFICATIONS

