

Daudzums	Apraksts
----------	----------

1	ALPHA2 32-80 N 180
---	---------------------------



Piezīme. Produkta attēls var atšķirties no faktiskā produkta izskata.

Produkta Nr.: [99411449](#)

Grundfos ALPHA2 high-efficiency circulator pumps are designed for circulating liquids in heating systems. The stainless-steel variant of the ALPHA2 is suitable for e.g. domestic hot-water systems. With an energy efficiency index (EEI) well below the ErP benchmark, it ensures substantial energy savings.

The AUTOADAPT function continuously adapts the pump performance to the actual heat demand, i.e. the size of the system and changing heat demand during the year.

The AUTOADAPT feature finds the setting that provides optimal comfort with minimal energy consumption and makes the commissioning fast, safe, and easy.

ALPHA2 also offers proportional-pressure, constant-pressure and constant-curve control modes.

With the automatic night setback function, the pump automatically changes between normal duty and night setback.

The changeover depends on the flow-pipe temperature controlled by the heating appliance.

In manual summer mode, the pump does not operate but starts automatically at low speed to avoid blocking the rotor as well as sticky valves and non-return valves.

Control modes and functions are selected using the buttons on the display. The LEDs indicate the operating status, actual power consumption in watt or actual flow rate in m³/h as well as warnings and alarms.

Furthermore, ALPHA2 is compatible with ALPHA Reader and the Grundfos GO Balance app, enabling installers to perform easy hydronic balancing of radiator- and underfloor-heating systems.

The design and chosen materials of the pump contribute to long life.

The pump is self-venting through the system, which contributes to easy commissioning.

The compact design, featuring a pump head with an integrated control box, fits into most common installations.

Pump and motor form an integral unit without a shaft seal.

The bearings are lubricated by the pumped liquid.

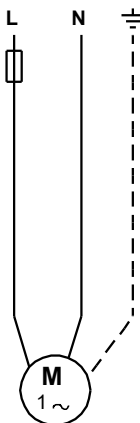
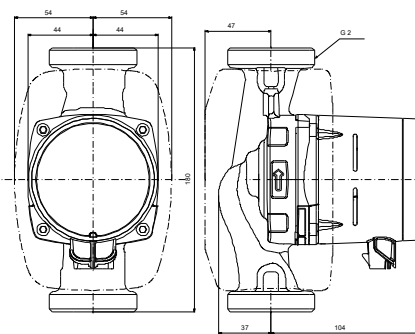
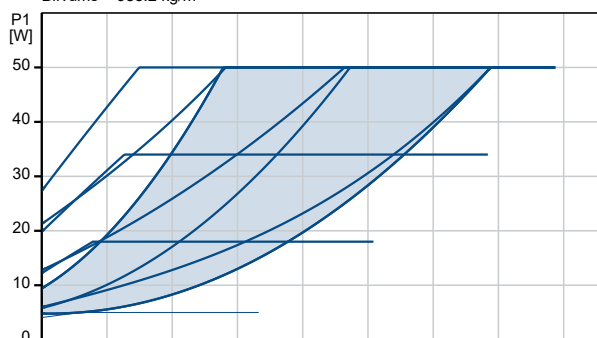
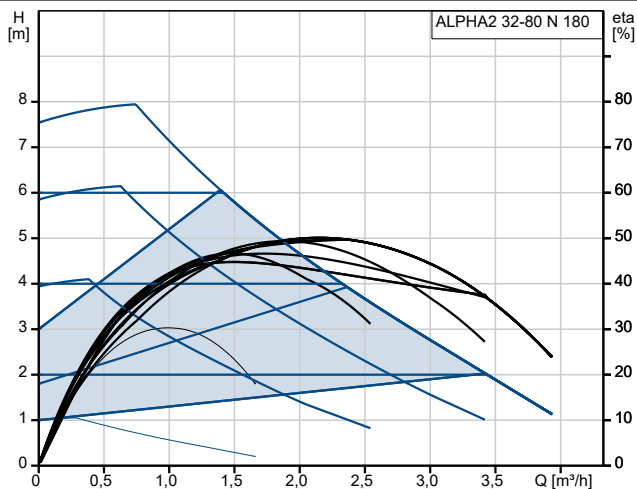
These constructional features ensure maintenance-free operation.

The active dry-running protection feature protects the pump against dry running during startup and normal operation. In case of a blocked rotor, the pump will continuously attempt to restart with highest possible torque.

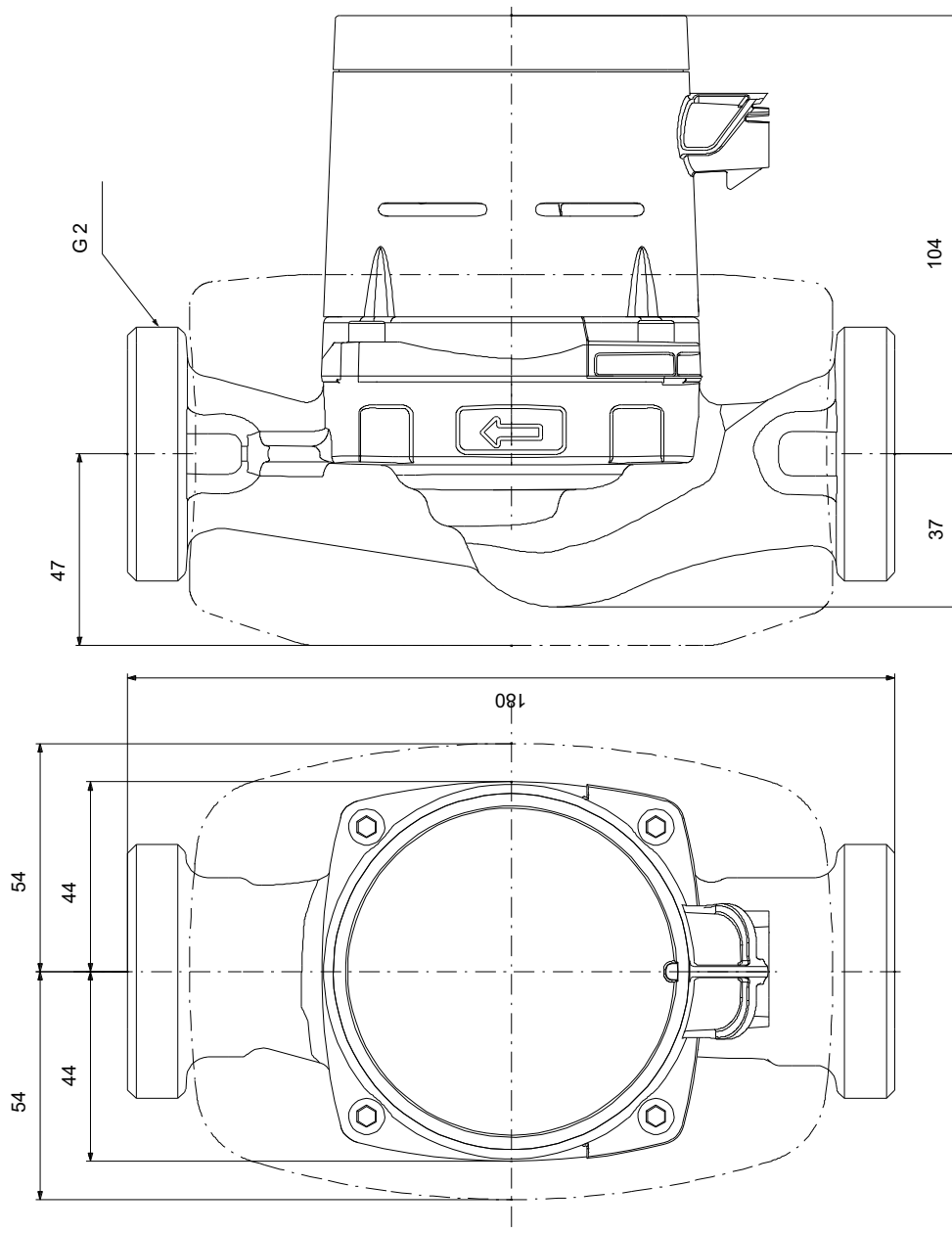
Pump housings made of cast iron are electrocoated to improve corrosion resistance. The motor is a synchronous permanent-magnet/compact-stator motor characterised by high efficiency. The pump speed is controlled by an integrated frequency converter incorporated in the control box.

Insulating shells are supplied with pumps to minimise heat loss in heating systems.

Apraksts	Vērtība
Vispārējā informācija:	
Produkta nosaukums:	ALPHA2 32-80 N 180
Produkta Nr.:	99411449
EAN numurs:	5713828680358
Cena:	EUR 1405.9
Tehn.:	
Nominālā plūsma:	2.14 m ³ /h
Nominālais spiedienaugstums:	4.36 m
Maks. spiedienaugstums:	80 dm
TF klase:	110
Apstiprinājumi:	VDE,CE,EAC
Modelis:	E
Materiāli:	
Sūkņa korpus:	Stainless steel
Sūkņa korpus:	EN 1.4308
Sūkņa korpus:	ASTM A351-CF8
Darbrats:	Composite
Darbrats:	PES 30% GF + PESU-GF20%
Uzstādīšana:	
Apkārtējās vides temperatūras diapazons:	0 .. 40 °C
Maksimālais darba spiediens:	10 bāri
Type of connection:	G
Size of connection:	2 inch
Pressure rating for connection:	PN 10
Port-to-port length:	180 mm
Šķidrums:	
Sūknējamais šķidrums:	Ūdens
Šķidruma temperatūras diapazons:	0 .. 110 °C
izvēlētā šķidruma temperatūra:	60 °C
Bļivums pie izvēlētās šķidruma temperatūras:	983.2 kg/m ³
Elektriskie dati:	
Minimālā patērējamā jauda - P1:	3 W
Power input P1:	50 W
Tīkla frekvence:	50 / 60 Hz
Nominālais spriegums:	1 x 230 V
Maksimālais strāvas patēriņš:	0.04 .. 0.44 A
Korpusa klase (IEC 34-5):	X4D
Insulation class (IEC 85):	F
Built-in motor protection:	NEVIENS
Termiskā aizsardzība:	ELEC
Kontrole:	
Automātiskais nakts režīms:	integrēts automātisks nakts laika režīms
Citi:	
Enerģija (EEI):	0.18
Terminal box position:	plkst. 6
Neto svars:	2.36 kg
Bruto svars:	2.52 kg
Piegādes apjoms:	0.004 m ³
Danish VVS No.:	380463280
Swedish RSK No.:	5790520
Finnish LVI No.:	4615353
Norwegian NRF no.:	9043172
Izcelsmes valsts:	DK
Muitas tarifa Nr.:	84137030



99411449 ALPHA2 32-80 N 180



Piezīme! Visas mērvienības ir milimetri [mm], ja nav norādīts citādi.
Atruna. Šajā vienkāršotajā izmēru rasējumā nav parādītas visas detaļas.