

**Daudzums** | **Apraksts**

1

**MAGNA3 25-120**



Piezīme. Produkta attēls var atšķirties no faktiskā produkta izskata.

Produkta Nr.: [97924248](#)

The Grundfos MAGNA3 circulator pump is the ideal choice for almost any building project – old or new. With its unrivalled energy efficiency, all-encompassing range and built-in communication capabilities, MAGNA3 is ideal for engineers and specifiers looking to create high-performance heating and cooling systems.

The pump is maintenance-free due to the canned-rotor type design. This also means that pump and motor form an integral unit without shaft seal and with only two gaskets for sealing. The bearings are lubricated by the pumped liquid.

MAGNA3 features an intuitive display and allows you to connect wirelessly with the Grundfos GO Remote app, giving you access to advanced reporting and monitoring.

MAGNA3 model E has Bluetooth, which allows you to connect directly to Grundfos Go app on your smart phone without any need for a dongle.

The pump includes fieldbus communication via CIM modules as well as analog and digital inputs and configurable relays.

Control features include AUTOADAPT and FLOWADAPT. FLOWADAPT which reduces the need for throttling valves, thus cutting costs on system components.

MAGNA3 is the superior choice for a wide range of heating and cooling applications, including:

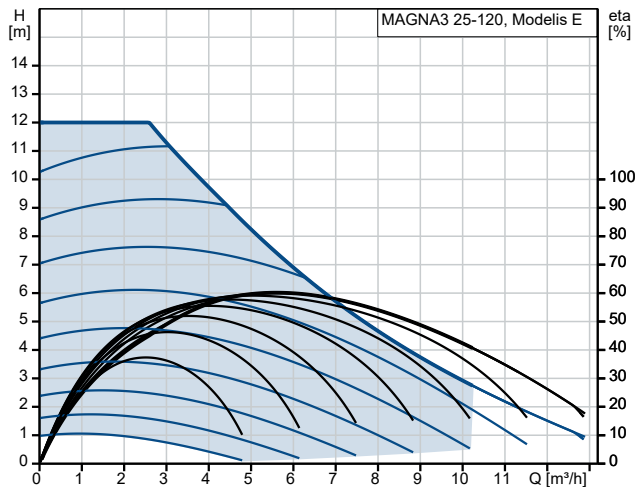
- Mixing loops
- Heating surfaces
- Air conditioning surfaces
- Ground-source heat pump systems
- Smaller chiller applications.

MAGNA3 is a single-phase pump and characterised by having the controller and control display integrated in the control box. The pump also has a built-in differential-pressure and temperature sensor.

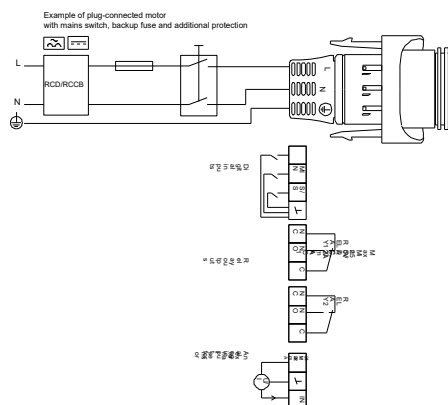
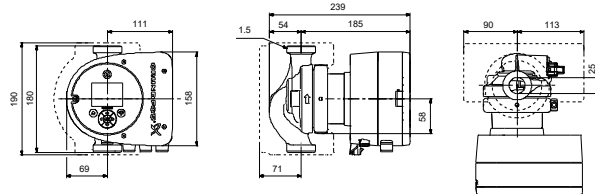
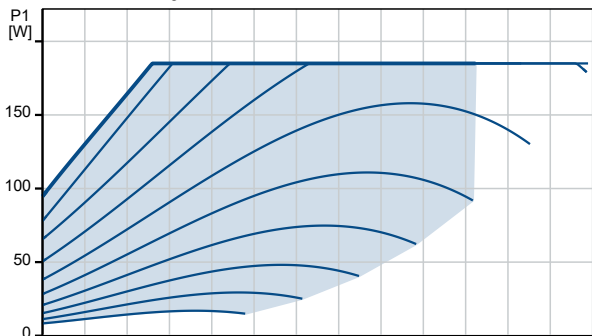
The pump housing is available in both cast-iron and stainless-steel versions. The composite rotor can is carbon-fibre reinforced, the bearing plate and rotor cladding are made of stainless steel and the stator housing is made of aluminium. The power electronics are air-cooled.

MAGNA3 incorporates a 4-pole synchronous, permanent-magnet motor (PM motor). This motor type is characterised by higher efficiency than a conventional asynchronous squirrel-cage motor. The pump speed is controlled by an integrated frequency converter.

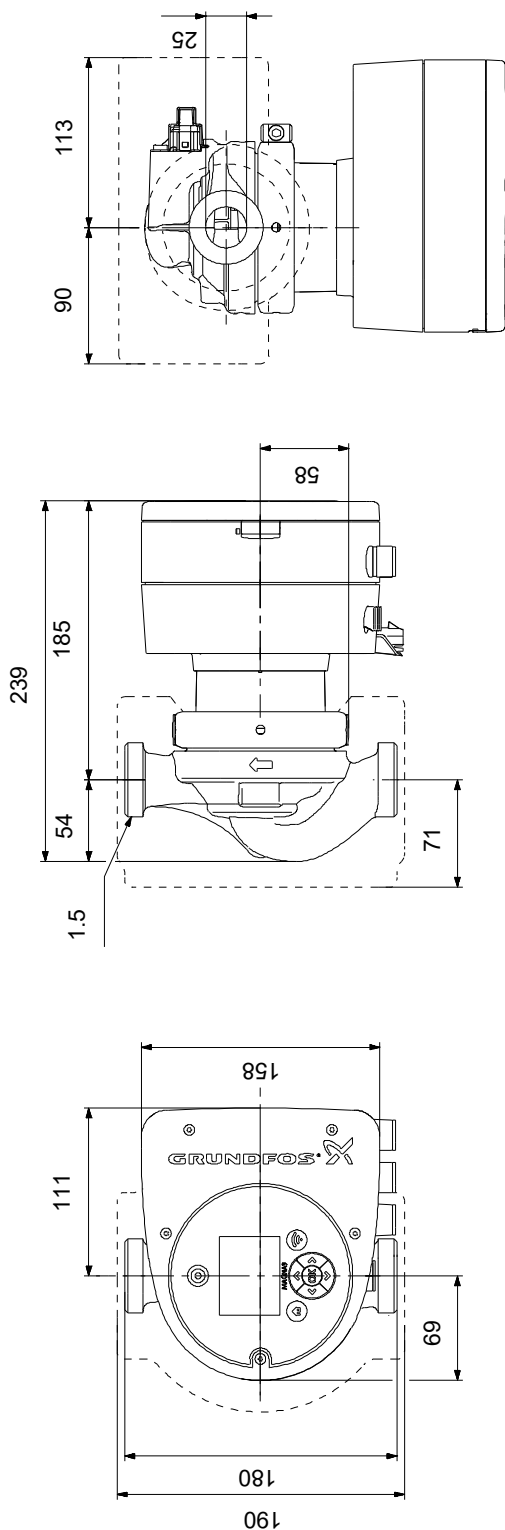
Apraksts	Vērtība
<b>Vispārējā informācija:</b>	
Produkta nosaukums:	MAGNA3 25-120
Produkta Nr.:	97924248
EAN numurs:	5710626493234
Cena:	EUR 1557
<b>Tehn.:</b>	
Nominālā plūsma:	5.56 m <sup>3</sup> /h
Nominālais spiedienaugstums:	7.469 m
Maks. spiedienaugstums:	120 dm
TF klase:	110
Approvals:	CE, VDE, EAC, MOROCCO, UKCA, TSE, RCM, UkrSEPRO
Modelis:	E
<b>Materiāli:</b>	
Sūkņa korpus:	Čuguns
Sūkņa korpus:	EN 1561 EN-GJL-200
Sūkņa korpus:	ASTM A48-200B
Darbrats:	Composite
<b>Uzstādīšana:</b>	
Apkārtojās vides temperatūras diapazons:	0 .. 40 °C
Maksimālais darba spiediens:	10 bāri
Type of connection:	G
Size of connection:	1 1/2 inch
Pressure rating for connection:	PN 10
Port-to-port length:	180 mm
<b>Šķidrums:</b>	
Sūknējamais šķidrums:	Ūdens
Šķidruma temperatūras diapazons:	-10 .. 110 °C
izvēlētā šķidruma temperatūra:	60 °C
Bļūvums pie izvēlētās šķidruma temperatūras:	983.2 kg/m <sup>3</sup>
<b>Elektriskie dati:</b>	
leejas jauda - P1:	9 .. 185 W
Tīkla frekvence:	50 / 60 Hz
Nominālais spriegums:	1 x 230 V
Minimum current consumption:	0.09 A
Maximum current consumption:	1.56 A
Korpuse klase (IEC 34-5):	X4D
Insulation class (IEC 85):	F
<b>Citi:</b>	
Enerģija (EEI):	0.18
Neto svars:	5.11 kg
Bruto svars:	5.75 kg
Piegādes apjoms:	0.015 m <sup>3</sup>
Danish VVS No.:	380790120
Swedish RSK No.:	5732576
Finnish LVI No.:	4615101
Norwegian NRF no.:	9042329
Izcelsmes valsts:	DE
Muitas tarifa Nr.:	84137030
Environmental approvals:	CN ROHS, WEEE



Sūknējamais šķidrums = Ūdens  
 Šķidruma temperatūra darba laikā = 60 °C  
 Bļūvums = 983.2 kg/m<sup>3</sup>



## 97924248 MAGNA3 25-120



Piezīme! Visas mērvienības ir milimetri [mm], ja nav norādīts citādi.  
Atruna. Šajā vienkāršotajā izmēru rasējumā nav parādītas visas detaļas.