

Steel ball valves, reduced bore

103 series, flange / flange, DN 65-250, reduced bore

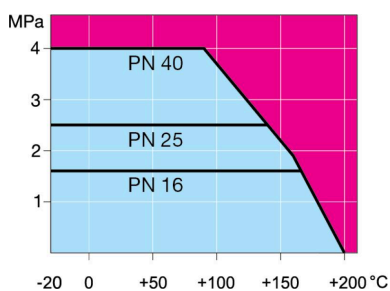
Body	DN 65-250 Steel, P235GH (1.0345)
Ball	DN 65-250 Stainless steel, X5CrNi18-10 (1.4301)
Ball seal	DN 65-250 PTFE+C
Stem	DN 65-250 Stainless steel, X8CrNiS18-9 (1.4305)
Stem seal	DN 65-250 FPM
Operation	DN 65-250 With zinc-plated steel handle
Flanges	EN 1092-1 Available PN 10, 16, 25, 40



Operation conditions

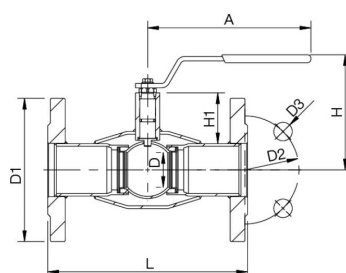
-20 °C – +200 °C
Below -20 °C contact manufacturer
Lowest allowed ambient temperature -40 °C

Leakage rate A (EN 12266-1)

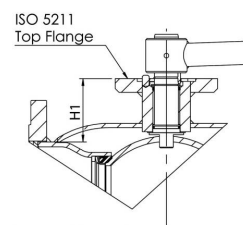


Not for steam

DN 65-150



DN 200-250



DN	PN	Product no.	A	D	D1	D2	D3	H	H1	L	kg
65	16	103065	277,5	50	185.0	145.0	18.0	159	62	270	10.5
80	16	103080	277,5	65	200.0	160.0	18.0	171	68	280	12.5
100	16	103100	278,5	80	220.0	180.0	18.0	218	101	300	17.0
125	16	103125	400	100	250.0	210.0	18.0	252	101	325	25.0
150	16	103150	600	125	285.0	240.0	22.0	272	107	350	33.0
200	16	103200	870	150	340.0	295.0	22.0	280	92	400	58.0
250	16	103250	1200	200	405.0	355.0	26.0	350	108	500	102.0

Steel ball valves, reduced bore

103 series, flange / flange, DN 300-500, reduced bore

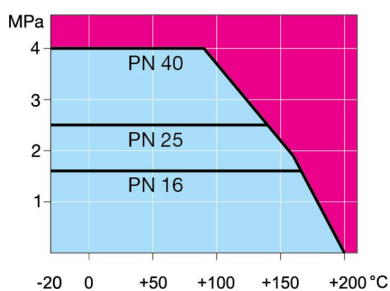
Body	DN 300-500 Steel, P235GH (1.0345)
Ball	DN 300-500 Stainless steel, X5CrNi18-10 (1.4301)
Ball seal	DN 300-500 PTFE+C
Stem	DN 300-500 Stainless steel, X8CrNiS18-9 (1.4305)
Stem seal	DN 300-500 FPM
Operation	DN 300-500 Valves are available with manual gear or with an electric or hydraulic actuator
Flanges	EN 1092-1 Available PN 10, 16, 25, 40



Operation conditions

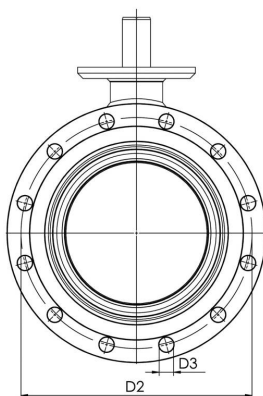
-20 °C – +200 °C
Below -20 °C contact manufacturer
Lowest allowed ambient temperature -40 °C

Leakage rate A (EN 12266-1)

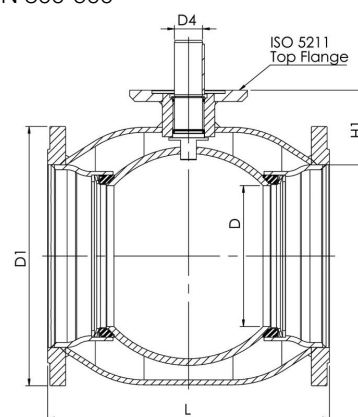


Not for steam

DN 300-500



DN 300-500



DN	PN	Product no.	D	D1	D2	D3	D4	H1	L	kg
300	16	103300	250	460.0	410.0	26.0	50.0	133	500	148.0
350	16	103350	290	520.0	470.0	26.0	50.0	192	706	226.0
400	16	103400	340	580.0	525.0	30.0	70.0	242	810	322.0
500	16	103500	390	715.0	650.0	33.0	90.0	259	978	528.0