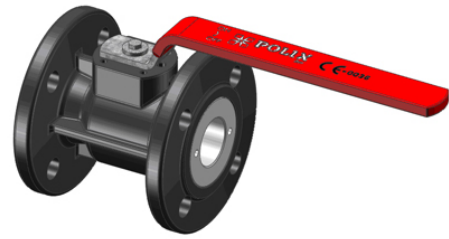
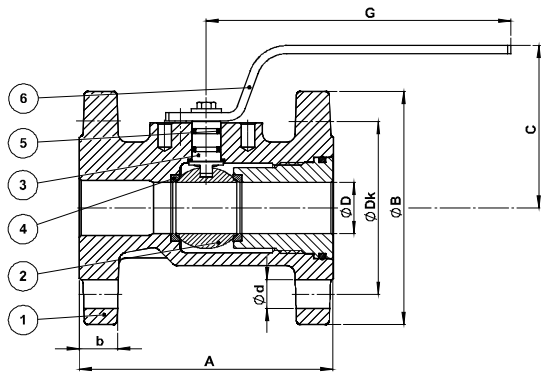
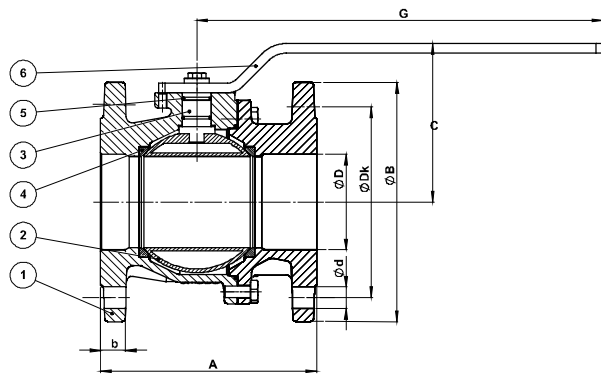


BALL VALVE KPC
FULL BORE, DN25–DN200



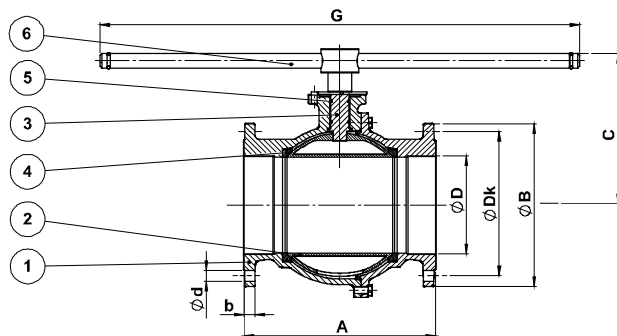
DN25–DN50

CE



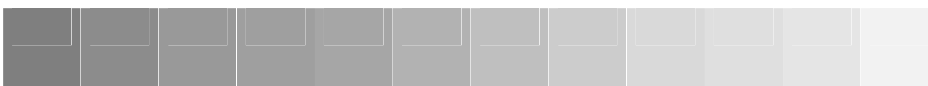
DN65–DN150

CE



DN200

CE



Working temperature -10 °C/+100 °C

Materials

| | | |
|---|--------|---|
| 1 | Body | Ductile Iron – EN-GJS-400-15 (GGG40) |
| 2 | Ball | Brass – CuZn40Pb2 (Ms 58) |
| 3 | Stem | Stainless Steel – X5CrNi18-10 (A304) |
| 4 | Seats | PTFE |
| 5 | O-Ring | NBR |
| 6 | Handle | Carbon Steel (Galvanised) – S235JR (RSt 37-2) |

KPC DN ... PN16 DP NB PB

PN16

| Art. nr. | DN | A | ØB | C | ØD | G | b | ØDk | Ød | Nr. | Top flange ISO | Shaft ØSxP/K | Weight (kg) |
|----------|-----|------|-----|-----|-----|------|----|-----|----|-----|----------------|--------------|-------------|
| A952063 | 25 | 125 | 115 | 76 | 25 | 150 | 18 | 85 | 14 | 4 | F03 | 14x10 | 3,50 |
| A952064 | 32 | 130 | 140 | 92 | 31 | 235 | 18 | 100 | 18 | 4 | F04 | 17,6x12 | 5,30 |
| A952065 | 40 | 140 | 150 | 97 | 39 | 235 | 18 | 110 | 18 | 4 | F05 | 17,6x12 | 6,60 |
| A952066 | 50 | 150 | 165 | 105 | 49 | 271 | 20 | 125 | 18 | 4 | F05 | 17,6x12 | 8,80 |
| A952067 | 65 | 170 | 185 | 124 | 63 | 288 | 18 | 145 | 18 | 4 | F07 | 23,6x17 | 11,40 |
| A952068 | 80 | 180 | 200 | 133 | 76 | 288 | 20 | 160 | 18 | 8 | F07 | 23,6x17 | 14,00 |
| A952069 | 100 | 190 | 220 | 153 | 100 | 288 | 20 | 180 | 18 | 8 | F07 | 23,6x17 | 17,00 |
| A952070 | 125 | 200 | 250 | 183 | 125 | 541 | 22 | 210 | 18 | 8 | F10 | 31,6x19 | 30,00 |
| A952049 | 125 | 325* | 250 | 183 | 125 | 541 | 22 | 210 | 18 | 8 | F10 | 31,6x19 | 30,00 |
| A952071 | 150 | 210 | 285 | 203 | 150 | 541 | 22 | 240 | 22 | 8 | F10 | 31,6x19 | 37,00 |
| A952052 | 150 | 350* | 285 | 203 | 150 | 541 | 22 | 240 | 22 | 8 | F10 | 31,6x19 | 37,00 |
| A952072 | 200 | 400* | 340 | 316 | 200 | 1000 | 24 | 295 | 22 | 12 | F12 | K30 | 84,00 |

KPC DN ... PN40 DP NB PB

PN40

| Art. nr. | DN | A | ØB | C | ØD | G | b | ØDk | Ød | Nr. | Top flange ISO | Shaft ØSxP/K | Weight (kg) |
|----------|----|-----|-----|-----|----|-----|----|-----|----|-----|----------------|--------------|-------------|
| A952063 | 25 | 125 | 115 | 76 | 25 | 150 | 18 | 85 | 14 | 4 | F03 | 14x10 | 3,50 |
| A952064 | 32 | 130 | 140 | 92 | 31 | 235 | 18 | 100 | 18 | 4 | F04 | 17,6x12 | 5,30 |
| A952065 | 40 | 140 | 150 | 97 | 39 | 235 | 18 | 110 | 18 | 4 | F05 | 17,6x12 | 6,60 |
| A952066 | 50 | 150 | 165 | 105 | 49 | 271 | 20 | 125 | 18 | 4 | F05 | 17,6x12 | 8,80 |

Working temperature -10 °C/+150 °C

Materials

| | | |
|---|--------|---|
| 1 | Body | Ductile Iron – EN-GJS-400-15 (GGG40) |
| 2 | Ball | Brass – CuZn40Pb2 (Ms 58) |
| 3 | Stem | Stainless Steel – X5CrNi18-10 (A304) |
| 4 | Seats | PTFE |
| 5 | O-Ring | EPDM |
| 6 | Handle | Carbon Steel (Galvanised) – S235JR (RSt 37-2) |

KPC DN ... PN16 DP EB PB

PN16

| Art. nr. | DN | A | ØB | C | ØD | G | b | ØDk | Ød | Nr. | Top flange ISO | Shaft ØSxP/K | Weight (kg) |
|----------|-----|------|-----|-----|-----|------|----|-----|----|-----|----------------|--------------|-------------|
| A953013 | 25 | 125 | 115 | 76 | 25 | 150 | 18 | 85 | 14 | 4 | F03 | 14x10 | 3,50 |
| A953015 | 32 | 130 | 140 | 92 | 31 | 235 | 18 | 100 | 18 | 4 | F04 | 17,6x12 | 5,30 |
| A952017 | 40 | 140 | 150 | 97 | 39 | 235 | 18 | 110 | 18 | 4 | F05 | 17,6x12 | 6,60 |
| A952018 | 50 | 150 | 165 | 105 | 49 | 271 | 20 | 125 | 18 | 4 | F05 | 17,6x12 | 8,80 |
| A952019 | 65 | 170 | 185 | 124 | 63 | 288 | 18 | 145 | 18 | 4 | F07 | 23,6x17 | 11,40 |
| A952020 | 80 | 180 | 200 | 133 | 76 | 288 | 20 | 160 | 18 | 8 | F07 | 23,6x17 | 14,00 |
| A952021 | 100 | 190 | 220 | 153 | 100 | 288 | 20 | 180 | 18 | 8 | F07 | 23,6x17 | 17,00 |
| A952022 | 125 | 200 | 250 | 183 | 125 | 541 | 22 | 210 | 18 | 8 | F10 | 31,6x19 | 30,00 |
| A952050 | 125 | 325* | 250 | 183 | 125 | 541 | 22 | 210 | 18 | 8 | F10 | 31,6x19 | 30,00 |
| A952023 | 150 | 210 | 285 | 203 | 150 | 541 | 22 | 240 | 22 | 8 | F10 | 31,6x19 | 37,00 |
| A952053 | 150 | 350* | 285 | 203 | 150 | 541 | 22 | 240 | 22 | 8 | F10 | 31,6x19 | 37,00 |
| A952024 | 200 | 400* | 340 | 316 | 200 | 1000 | 24 | 295 | 22 | 12 | F12 | K30 | 84,00 |

KPC DN ... PN40 DP EB PB

PN40

| Art. nr. | DN | A | ØB | C | ØD | G | b | ØDk | Ød | Nr. | Top flange ISO | Shaft ØSxP/K | Weight (kg) |
|----------|----|-----|-----|-----|----|-----|----|-----|----|-----|----------------|--------------|-------------|
| A953013 | 25 | 125 | 115 | 76 | 25 | 150 | 18 | 85 | 14 | 4 | F03 | 14x10 | 3,50 |
| A953015 | 32 | 130 | 140 | 92 | 31 | 235 | 18 | 100 | 18 | 4 | F04 | 17,6x12 | 5,30 |
| A952017 | 40 | 140 | 150 | 97 | 39 | 235 | 18 | 110 | 18 | 4 | F05 | 17,6x12 | 6,60 |
| A952018 | 50 | 150 | 165 | 105 | 49 | 271 | 20 | 125 | 18 | 4 | F05 | 17,6x12 | 8,80 |

Working temperature -10 °C/+180 °C

Materials

| | | |
|---|--------|---|
| 1 | Body | Ductile Iron – EN-GJS-400-15 (GGG40) |
| 2 | Ball | Brass – CuZn40Pb2 (Ms 58) |
| 3 | Stem | Stainless Steel – X5CrNi18-10 (A304) |
| 4 | Seats | PTFE |
| 5 | O-Ring | PTFE |
| 6 | Handle | Carbon Steel (Galvanised) – S235JR (RSt 37-2) |

KPC DN ... PN6 DP PB PB

PN6

| Art. nr. | DN | A | ØB | C | ØD | G | b | ØDk | Ød/M** | Nr. | Top flange ISO | Shaft ØSxP/K | Weight (kg) |
|----------|-----|-----|-----|-----|-----|-----|----|-----|--------|-----|----------------|--------------|-------------|
| A952206 | 25 | 125 | 100 | 76 | 25 | 150 | 18 | 75 | 11/M10 | 4 | F03 | 14x10 | 3,50 |
| A952207 | 32 | 130 | 120 | 92 | 31 | 235 | 18 | 90 | 14/M12 | 4 | F04 | 17,6x12 | 5,30 |
| A952203 | 40 | 140 | 130 | 97 | 39 | 235 | 18 | 100 | 14/M12 | 4 | F05 | 17,6x12 | 6,60 |
| A952204 | 50 | 150 | 140 | 105 | 49 | 271 | 20 | 110 | 14/M12 | 4 | F05 | 17,6x12 | 8,80 |
| A952200 | 65 | 170 | 160 | 124 | 63 | 288 | 18 | 130 | 14 | 4 | F07 | 23,6x17 | 11,40 |
| A952201 | 80 | 180 | 190 | 133 | 76 | 288 | 20 | 150 | 18 | 4 | F07 | 23,6x17 | 14,00 |
| A952202 | 100 | 190 | 210 | 153 | 100 | 288 | 20 | 170 | 18 | 4 | F07 | 23,6x17 | 17,00 |
| A952205 | 125 | 200 | 240 | 183 | 125 | 541 | 22 | 200 | M16 | 8 | F10 | 31,6x19 | 30,00 |
| A952208 | 150 | 210 | 265 | 203 | 150 | 541 | 22 | 225 | M16 | 8 | F10 | 31,6x19 | 37,00 |

Notes

**M – thread

KPC DN ... PN16 DP PB PB

PN16

| Art. nr. | DN | A | ØB | C | ØD | G | b | ØDk | Ød | Nr. | Top flange ISO | Shaft ØSxP/K | Weight (kg) |
|----------|-----|------|-----|-----|-----|------|----|-----|----|-----|----------------|--------------|-------------|
| A953014 | 25 | 125 | 115 | 76 | 25 | 150 | 18 | 85 | 14 | 4 | F03 | 14x10 | 3,50 |
| A953016 | 32 | 130 | 140 | 92 | 31 | 235 | 18 | 100 | 18 | 4 | F04 | 17,6x12 | 5,30 |
| A952029 | 40 | 140 | 150 | 97 | 39 | 235 | 18 | 110 | 18 | 4 | F05 | 17,6x12 | 6,60 |
| A952030 | 50 | 150 | 165 | 105 | 49 | 271 | 20 | 125 | 18 | 4 | F05 | 17,6x12 | 8,80 |
| A952031 | 65 | 170 | 185 | 124 | 63 | 288 | 18 | 145 | 18 | 4 | F07 | 23,6x17 | 11,40 |
| A952032 | 80 | 180 | 200 | 133 | 76 | 288 | 20 | 160 | 18 | 8 | F07 | 23,6x17 | 14,00 |
| A952033 | 100 | 190 | 220 | 153 | 100 | 288 | 20 | 180 | 18 | 8 | F07 | 23,6x17 | 17,00 |
| A952034 | 125 | 200 | 250 | 183 | 125 | 541 | 22 | 210 | 18 | 8 | F10 | 31,6x19 | 30,00 |
| A952051 | 125 | 325* | 250 | 183 | 125 | 541 | 22 | 210 | 18 | 8 | F10 | 31,6x19 | 30,00 |
| A952035 | 150 | 210 | 285 | 203 | 150 | 541 | 22 | 240 | 22 | 8 | F10 | 31,6x19 | 37,00 |
| A952054 | 150 | 350* | 285 | 203 | 150 | 541 | 22 | 240 | 22 | 8 | F10 | 31,6x19 | 37,00 |
| A952036 | 200 | 400* | 340 | 316 | 200 | 1000 | 24 | 295 | 22 | 12 | F12 | K30 | 84,00 |

KPC DN ... PN40 DP PB PB

PN40

| Art. nr. | DN | A | ØB | C | ØD | G | b | ØDk | Ød | Nr. | Top flange ISO | Shaft ØSxP/K | Weight (kg) |
|----------|----|-----|-----|-----|----|-----|----|-----|----|-----|----------------|--------------|-------------|
| A953014 | 25 | 125 | 115 | 76 | 25 | 150 | 18 | 85 | 14 | 4 | F03 | 14x10 | 3,50 |
| A953016 | 32 | 130 | 140 | 92 | 31 | 235 | 18 | 100 | 18 | 4 | F04 | 17,6x12 | 5,30 |
| A952029 | 40 | 140 | 150 | 97 | 39 | 235 | 18 | 110 | 18 | 4 | F05 | 17,6x12 | 6,60 |
| A952030 | 50 | 150 | 165 | 105 | 49 | 271 | 20 | 125 | 18 | 4 | F05 | 17,6x12 | 8,80 |

Working temperature -10 °C/+180 °C

Materials

| | | |
|---|--------|---|
| 1 | Body | Ductile Iron – EN-GJS-400-15 (GGG40) |
| 2 | Ball | Stainless Steel – X5CrNi18-10 (A304) |
| 3 | Stem | Stainless Steel – X5CrNi18-10 (A420) |
| 4 | Seats | PTFE |
| 5 | O-Ring | PTFE |
| 6 | Handle | Carbon Steel – AISi8, S235JR (RSt 37-2) |

KPC DN ... PN16 DP PX PX

PN16

| Art. nr. | DN | A | ØB | C | ØD | G | b | ØDk | Ød | Nr. | Top flange ISO | Shaft ØSxP/K | Weight (kg) |
|----------|-----|------|-----|-----|-----|------|----|-----|----|-----|----------------|--------------|-------------|
| A952083 | 25 | 125 | 115 | 76 | 25 | 150 | 18 | 85 | 14 | 4 | F03 | 14x10 | 3,50 |
| A952084 | 32 | 130 | 140 | 92 | 31 | 235 | 18 | 100 | 18 | 4 | F04 | 17,6x12 | 5,30 |
| A952085 | 40 | 140 | 150 | 97 | 39 | 235 | 18 | 110 | 18 | 4 | F05 | 17,6x12 | 6,60 |
| A952086 | 50 | 150 | 165 | 105 | 49 | 271 | 20 | 125 | 18 | 4 | F05 | 17,6x12 | 8,80 |
| A952087 | 65 | 170 | 185 | 124 | 63 | 288 | 18 | 145 | 18 | 4 | F07 | 23,6x17 | 11,40 |
| A952088 | 80 | 180 | 200 | 133 | 76 | 288 | 20 | 160 | 18 | 8 | F07 | 23,6x17 | 14,00 |
| A952089 | 100 | 190 | 220 | 153 | 100 | 288 | 20 | 180 | 18 | 8 | F07 | 23,6x17 | 17,00 |
| A952090 | 125 | 200 | 250 | 183 | 125 | 541 | 22 | 210 | 18 | 8 | F10 | 31,6x19 | 30,00 |
| A952093 | 125 | 325* | 250 | 183 | 125 | 541 | 22 | 210 | 18 | 8 | F10 | 31,6x19 | 30,00 |
| A952091 | 150 | 210 | 285 | 203 | 150 | 541 | 22 | 240 | 22 | 8 | F10 | 31,6x19 | 37,00 |
| A952094 | 150 | 350* | 285 | 203 | 150 | 541 | 22 | 240 | 22 | 8 | F10 | 31,6x19 | 37,00 |
| A952092 | 200 | 400* | 340 | 316 | 200 | 1000 | 24 | 295 | 22 | 12 | F12 | K30 | 84,00 |

Notes

Article numbers for DN25–DN50 are the same for PN16 and PN40 and are always declared as PN40.

Face to face dimensions conform to DIN3202 F4.

*Face to face dimensions conform to DIN3202 F5.

