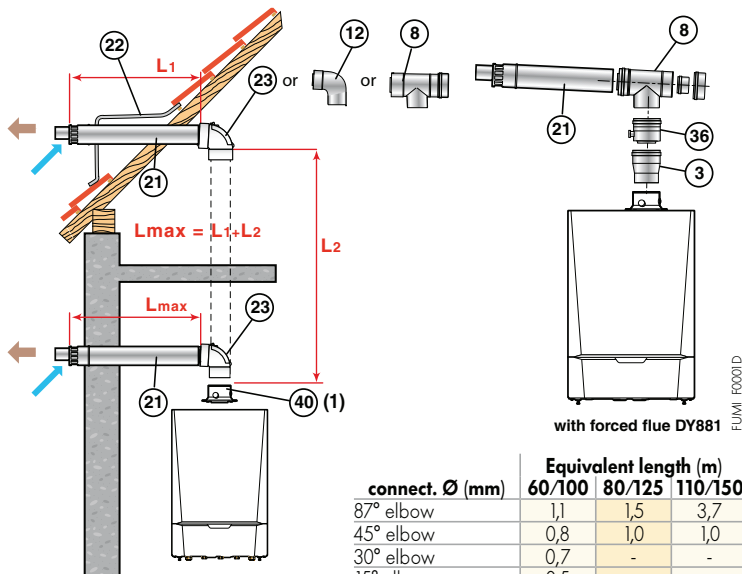


1 CONFIGURATION C_{13x} - CONCENTRIC HORIZONTAL FORCED FLUE ALU/PPS (CONNECTION TO AN EXTERNAL WALL OR A ROOF OUTLET)

MODULENS G®, TWINEO, ELIDENS DTG 130-45 TO 115, QUADRODENS, INNOVENS AND INNOVENS PRO MCA



Boiler shown: MCA connected to the horizontal forced flue Ø 80/125 mm (package DY 882) + Adapter Ø 80/125 mm (package HR 38)
(I) or location (3) where appropriate

connect. Ø (mm)	Equivalent length (m)		
	60/100	80/125	110/150
87° elbow	1,1	1,5	3,7
45° elbow	0,8	1,0	1,0
30° elbow	0,7	-	-
15° elbow	0,5	-	-
Straight inspection pipe	0,5	0,6	1,0
Inspection T	2,2	2,7	2,5
Inspection elbow	-	2,0	-
Condensates recup.	-	0,8	0,6

Boiler type	connect. Ø (mm)	Lmax (m)		
		60/100	80/125	110/150
QUADRODENS DUC 25-...	12	-	-	-
ELIDENS DTG 130-45 INNOVENS PRO MCA 45	-	-	16	-
ELIDENS DTG 130-65 INNOVENS PRO MCA 65	-	-	-	9
ELIDENS DTG 130-90 INNOVENS PRO MCA 90	-	-	-	8
ELIDENS DTG 130-115 INNOVENS PRO MCA 115	-	-	-	5,9
MODULENS G® AGC 10 INNOVENS MCA 10	4,1	8,0	-	-
MODULENS G® AGC 15 INNOVENS MCA 15	12	12,3	-	-
MODULENS G® AGC 25 TWINEO EGC 25 INNOVENS MCA 25	3,5	20	-	-
MODULENS G® AGC 35 INNOVENS MCA 35	3,5	17,6	-	-
INNOVENS MCA 25/28 MI	4,2	20	-	-
INNOVENS MCA 25/28 BIC	4,2	20	-	-

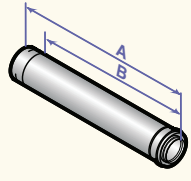
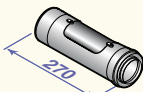
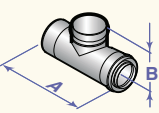
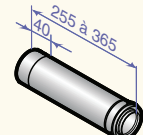
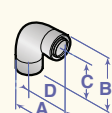
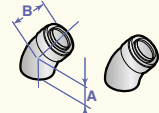
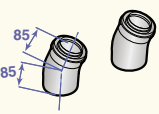
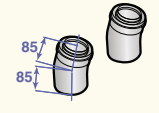
⇒ ALU/PPS flue systems accessories needed at the very least for connection to a horizontal forced flue:

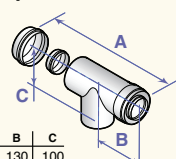

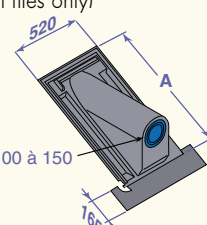
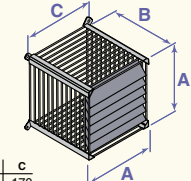
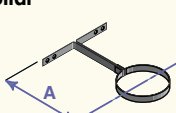

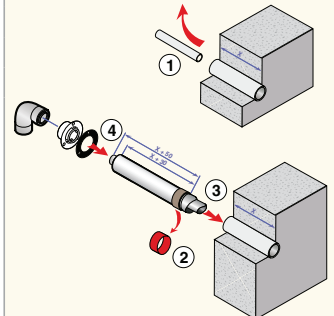
Description	Diagrams with Dimensions/References	Boiler type	ELIDENS DTG 130 45-115, INNOVENS PRO MCA 45 to 115			MODULENS G® AGC 10, 15, 25, 35, TWINEO EGC 25, INNOVENS MCA 10, 15, 25, 35, 25/28 MI, 25/28 BIC	
			25	45	65, 90, 115	60/100	80/125
			connect. Ø (mm)	60/100	80/125	110/150	60/100
Horizontal forced flue Ø 60/100 mm with inspection T and extension pipe L 0.5 m		DY 872 100008297	X (I)				
Horizontal forced flue Ø 80/125 mm with inspection elbow		DY 882 10001376		X			X
Horizontal forced flue Ø 110/150 mm with inspection T and adapter Ø 100/150 to 110/150 mm		DY 881 10001364			X		
Horizontal forced flue Ø 60/100 mm with inspection elbow		HR 48 100013756				X (I)	
Reduction elbow Ø 60/100 mm		JA 43 100018253				X (2)	
Condensates recuperator Ø 80/125 mm		DY 916 100018981		X			
Condensates recuperator Ø 110/150 mm		DY 918 100018984			X		
Adapter Ø 80/125 mm		HR 38 S 100465					X

(I) Accessories delivered as standard with boilers with corresponding horizontal forced flue

(2) When, for reasons of space, the horizontal forced flue with its elbow (package HR 48) cannot be installed, this elbow is mounted instead and in place of the fitting (Ø 60/100 mm) on the boiler and thus allows a height saving of 70 mm.

⇒ Other Alu/PPS flue systems accessories available:

Concentric extension ⑪ 	<table border="1"> <tr> <th>Ø 60/100 mm</th> <th>L (mm)</th> <th>Ref.</th> </tr> <tr> <td>DY 681</td> <td>500</td> <td>84887681</td> </tr> <tr> <td>DY 682</td> <td>1000</td> <td>84887682</td> </tr> <tr> <td>DY 683</td> <td>1950</td> <td>84887683</td> </tr> </table>	Ø 60/100 mm	L (mm)	Ref.	DY 681	500	84887681	DY 682	1000	84887682	DY 683	1950	84887683												
	Ø 60/100 mm	L (mm)	Ref.																						
DY 681	500	84887681																							
DY 682	1000	84887682																							
DY 683	1950	84887683																							
<table border="1"> <tr> <th>Ø 80/125 mm</th> <th>L (mm)</th> <th>Ref.</th> </tr> <tr> <td>DY 126</td> <td>250</td> <td>84887526</td> </tr> <tr> <td>DY 127</td> <td>500</td> <td>84887527</td> </tr> <tr> <td>DY 128</td> <td>1000</td> <td>84887528</td> </tr> <tr> <td>DY 129</td> <td>1950</td> <td>84887529</td> </tr> </table>	Ø 80/125 mm	L (mm)	Ref.	DY 126	250	84887526	DY 127	500	84887527	DY 128	1000	84887528	DY 129	1950	84887529	<table border="1"> <tr> <th>Ø 110/150 mm</th> <th>L (mm)</th> <th>Ref.</th> </tr> <tr> <td>DY 811</td> <td>500</td> <td>100002351</td> </tr> <tr> <td>DY 812</td> <td>1000</td> <td>100002352</td> </tr> </table>	Ø 110/150 mm	L (mm)	Ref.	DY 811	500	100002351	DY 812	1000	100002352
Ø 80/125 mm	L (mm)	Ref.																							
DY 126	250	84887526																							
DY 127	500	84887527																							
DY 128	1000	84887528																							
DY 129	1950	84887529																							
Ø 110/150 mm	L (mm)	Ref.																							
DY 811	500	100002351																							
DY 812	1000	100002352																							
<table border="1"> <tr> <th></th> <th>A</th> <th>B</th> </tr> <tr> <td>DY 126</td> <td>250</td> <td>200</td> </tr> <tr> <td>DY 681, DY 127</td> <td>500</td> <td>450</td> </tr> <tr> <td>DY 682, DY 128</td> <td>1000</td> <td>950</td> </tr> <tr> <td>DY 683, DY 129</td> <td>1950</td> <td>1900</td> </tr> </table>		A	B	DY 126	250	200	DY 681, DY 127	500	450	DY 682, DY 128	1000	950	DY 683, DY 129	1950	1900										
	A	B																							
DY 126	250	200																							
DY 681, DY 127	500	450																							
DY 682, DY 128	1000	950																							
DY 683, DY 129	1950	1900																							
Concentric straight inspection pipe ⑦ 	<table border="1"> <tr> <th>Ø 80/125 mm</th> <th>Ref.</th> </tr> <tr> <td>DY 124</td> <td>84887524</td> </tr> </table>	Ø 80/125 mm	Ref.	DY 124	84887524																				
Ø 80/125 mm	Ref.																								
DY 124	84887524																								
Concentric inspection sleeve ⑦ 	<table border="1"> <tr> <th>Ø 60/100 mm</th> <th>Ref.</th> </tr> <tr> <td>DY 689</td> <td>84887689</td> </tr> </table>	Ø 60/100 mm	Ref.	DY 689	84887689																				
Ø 60/100 mm	Ref.																								
DY 689	84887689																								
<table border="1"> <tr> <th></th> <th>A</th> <th>B</th> </tr> <tr> <td>DY 689</td> <td>250</td> <td>100</td> </tr> <tr> <td>DY 815</td> <td>270</td> <td>140</td> </tr> </table>		A	B	DY 689	250	100	DY 815	270	140	<table border="1"> <tr> <th>Ø 110/150 mm</th> <th>Ref.</th> </tr> <tr> <td>DY 815</td> <td>100002355</td> </tr> </table>	Ø 110/150 mm	Ref.	DY 815	100002355											
	A	B																							
DY 689	250	100																							
DY 815	270	140																							
Ø 110/150 mm	Ref.																								
DY 815	100002355																								
Concentric compensation sleeve ⑰ 	<table border="1"> <tr> <td>DY 688</td> <td>Ø 60/100 mm</td> <td>84887688</td> </tr> <tr> <td>DY 130</td> <td>Ø 80/125 mm</td> <td>84887530</td> </tr> </table>	DY 688	Ø 60/100 mm	84887688	DY 130	Ø 80/125 mm	84887530																		
DY 688	Ø 60/100 mm	84887688																							
DY 130	Ø 80/125 mm	84887530																							
Concentric elbow at 87° ⑫ 	<table border="1"> <tr> <th>Ø 60/100 mm</th> <th>Angle</th> <th>Ref.</th> </tr> <tr> <td>DY 684</td> <td>87°</td> <td>84887684</td> </tr> <tr> <td>DY 685</td> <td>45° (2-pces)</td> <td>84887685</td> </tr> <tr> <td>DY 686</td> <td>30° (2-pces)</td> <td>84887686</td> </tr> <tr> <td>DY 687</td> <td>15° (2-pces)</td> <td>84887687</td> </tr> </table>	Ø 60/100 mm	Angle	Ref.	DY 684	87°	84887684	DY 685	45° (2-pces)	84887685	DY 686	30° (2-pces)	84887686	DY 687	15° (2-pces)	84887687									
Ø 60/100 mm	Angle	Ref.																							
DY 684	87°	84887684																							
DY 685	45° (2-pces)	84887685																							
DY 686	30° (2-pces)	84887686																							
DY 687	15° (2-pces)	84887687																							
<table border="1"> <tr> <th></th> <th>A</th> <th>B</th> <th>C</th> <th>D</th> </tr> <tr> <td>DY 684</td> <td>170</td> <td>162</td> <td>110</td> <td>120</td> </tr> <tr> <td>DY 131</td> <td>193</td> <td>185</td> <td>120</td> <td>130</td> </tr> <tr> <td>DY 813</td> <td>239</td> <td>241</td> <td>165</td> <td>164</td> </tr> </table>		A	B	C	D	DY 684	170	162	110	120	DY 131	193	185	120	130	DY 813	239	241	165	164					
	A	B	C	D																					
DY 684	170	162	110	120																					
DY 131	193	185	120	130																					
DY 813	239	241	165	164																					
at 45° 	<table border="1"> <tr> <th>Ø 80/125 mm</th> <th>Angle</th> <th>Ref.</th> </tr> <tr> <td>DY 131</td> <td>87°</td> <td>84887531</td> </tr> <tr> <td>DY 132</td> <td>45° (2-pces)</td> <td>84887532</td> </tr> </table>	Ø 80/125 mm	Angle	Ref.	DY 131	87°	84887531	DY 132	45° (2-pces)	84887532															
Ø 80/125 mm	Angle	Ref.																							
DY 131	87°	84887531																							
DY 132	45° (2-pces)	84887532																							
<table border="1"> <tr> <th></th> <th>A</th> <th>B</th> </tr> <tr> <td>DY 685</td> <td>70</td> <td>80</td> </tr> <tr> <td>DY 132</td> <td>90</td> <td>90</td> </tr> <tr> <td>DY 814</td> <td>110</td> <td>110</td> </tr> </table>		A	B	DY 685	70	80	DY 132	90	90	DY 814	110	110													
	A	B																							
DY 685	70	80																							
DY 132	90	90																							
DY 814	110	110																							
at 30° 	<table border="1"> <tr> <th>Ø 110/150 mm</th> <th>Angle</th> <th>Ref.</th> </tr> <tr> <td>DY 813</td> <td>87°</td> <td>100002353</td> </tr> <tr> <td>DY 814</td> <td>45° (2-pces)</td> <td>100002354</td> </tr> </table>	Ø 110/150 mm	Angle	Ref.	DY 813	87°	100002353	DY 814	45° (2-pces)	100002354															
Ø 110/150 mm	Angle	Ref.																							
DY 813	87°	100002353																							
DY 814	45° (2-pces)	100002354																							
at 15° 																									

Concentric inspection T ⑧ 	<table border="1"> <tr> <th>Ø 60/100 mm</th> <th>Ref.</th> </tr> <tr> <td>DY 737</td> <td>84887737</td> </tr> </table>	Ø 60/100 mm	Ref.	DY 737	84887737																
Ø 60/100 mm	Ref.																				
DY 737	84887737																				
<table border="1"> <tr> <th></th> <th>A</th> <th>B</th> <th>C</th> </tr> <tr> <td>DY 737</td> <td>250</td> <td>130</td> <td>100</td> </tr> <tr> <td>DY 125</td> <td>270</td> <td>140</td> <td>120</td> </tr> <tr> <td>DY 816</td> <td>270</td> <td>120</td> <td>140</td> </tr> </table>		A	B	C	DY 737	250	130	100	DY 125	270	140	120	DY 816	270	120	140	<table border="1"> <tr> <th>Ø 80/125 mm</th> <th>Ref.</th> </tr> <tr> <td>DY 125</td> <td>84887525</td> </tr> </table>	Ø 80/125 mm	Ref.	DY 125	84887525
	A	B	C																		
DY 737	250	130	100																		
DY 125	270	140	120																		
DY 816	270	120	140																		
Ø 80/125 mm	Ref.																				
DY 125	84887525																				
<table border="1"> <tr> <th>Ø 110/150 mm</th> <th>Ref.</th> </tr> <tr> <td>DY 816</td> <td>100002356</td> </tr> </table>	Ø 110/150 mm	Ref.	DY 816	100002356																	
Ø 110/150 mm	Ref.																				
DY 816	100002356																				
Concentric inspection elbow ⑳ 	<table border="1"> <tr> <th>Ø 80/125 mm</th> <th>Ref.</th> </tr> <tr> <td>DY 875</td> <td>100008311</td> </tr> </table>	Ø 80/125 mm	Ref.	DY 875	100008311																
Ø 80/125 mm	Ref.																				
DY 875	100008311																				
Roof outlet (for mechanical tiles only) ㉒ 	<table border="1"> <tr> <th>Roof with slope of 30 to 45°</th> <th>Ref.</th> </tr> <tr> <td>DY 11</td> <td>84887411</td> </tr> </table>	Roof with slope of 30 to 45°	Ref.	DY 11	84887411																
Roof with slope of 30 to 45°	Ref.																				
DY 11	84887411																				
<table border="1"> <tr> <th></th> <th>A</th> </tr> <tr> <td>CX 49</td> <td>700</td> </tr> <tr> <td>DY 11</td> <td>880</td> </tr> </table>		A	CX 49	700	DY 11	880	<table border="1"> <tr> <th>Roof with slope of 40 to 55°</th> <th>Ref.</th> </tr> <tr> <td>CX 49</td> <td>84837729</td> </tr> </table>	Roof with slope of 40 to 55°	Ref.	CX 49	84837729										
	A																				
CX 49	700																				
DY 11	880																				
Roof with slope of 40 to 55°	Ref.																				
CX 49	84837729																				
Stainless steel protection basket ㉕ 	<table border="1"> <tr> <th>for Ø 60/100 mm</th> <th>Ref.</th> </tr> <tr> <td>DY 166</td> <td>84887566</td> </tr> </table>	for Ø 60/100 mm	Ref.	DY 166	84887566																
for Ø 60/100 mm	Ref.																				
DY 166	84887566																				
<table border="1"> <tr> <th></th> <th>A</th> <th>B</th> <th>C</th> </tr> <tr> <td>DY 166</td> <td>154</td> <td>228</td> <td>170</td> </tr> <tr> <td>DY 865</td> <td>229</td> <td>260</td> <td>237</td> </tr> <tr> <td>DY 866</td> <td>254</td> <td>268</td> <td>270</td> </tr> </table>		A	B	C	DY 166	154	228	170	DY 865	229	260	237	DY 866	254	268	270	<table border="1"> <tr> <th>for Ø 80/125 mm</th> <th>Ref.</th> </tr> <tr> <td>DY 865</td> <td>100005002</td> </tr> </table>	for Ø 80/125 mm	Ref.	DY 865	100005002
	A	B	C																		
DY 166	154	228	170																		
DY 865	229	260	237																		
DY 866	254	268	270																		
for Ø 80/125 mm	Ref.																				
DY 865	100005002																				
	<table border="1"> <tr> <th>for Ø 110/150 mm</th> <th>Ref.</th> </tr> <tr> <td>DY 866</td> <td>100005004</td> </tr> </table>	for Ø 110/150 mm	Ref.	DY 866	100005004																
for Ø 110/150 mm	Ref.																				
DY 866	100005004																				
Fastening collar ㉑ 	<table border="1"> <tr> <th>Ø 125 mm</th> <th>Ref.</th> </tr> <tr> <td>CX 118 (short lug)</td> <td>84837718</td> </tr> <tr> <td>CX 79 (long lug)</td> <td>84837779</td> </tr> </table>	Ø 125 mm	Ref.	CX 118 (short lug)	84837718	CX 79 (long lug)	84837779														
Ø 125 mm	Ref.																				
CX 118 (short lug)	84837718																				
CX 79 (long lug)	84837779																				
<table border="1"> <tr> <th></th> <th>A</th> </tr> <tr> <td>CX 118</td> <td>125</td> </tr> <tr> <td>CX 79</td> <td>232</td> </tr> </table>		A	CX 118	125	CX 79	232	<table border="1"> <tr> <th>Ø 150 mm</th> <th>Ref.</th> </tr> <tr> <td>CX 111</td> <td>84827111</td> </tr> </table>	Ø 150 mm	Ref.	CX 111	84827111										
	A																				
CX 118	125																				
CX 79	232																				
Ø 150 mm	Ref.																				
CX 111	84827111																				
																					
Horizontal forced flue "Retrofit" 	<table border="1"> <tr> <th>Ø 60/95 mm</th> <th>Ref.</th> </tr> <tr> <td>DY 912</td> <td>100017526</td> </tr> </table>	Ø 60/95 mm	Ref.	DY 912	100017526																
Ø 60/95 mm	Ref.																				
DY 912	100017526																				