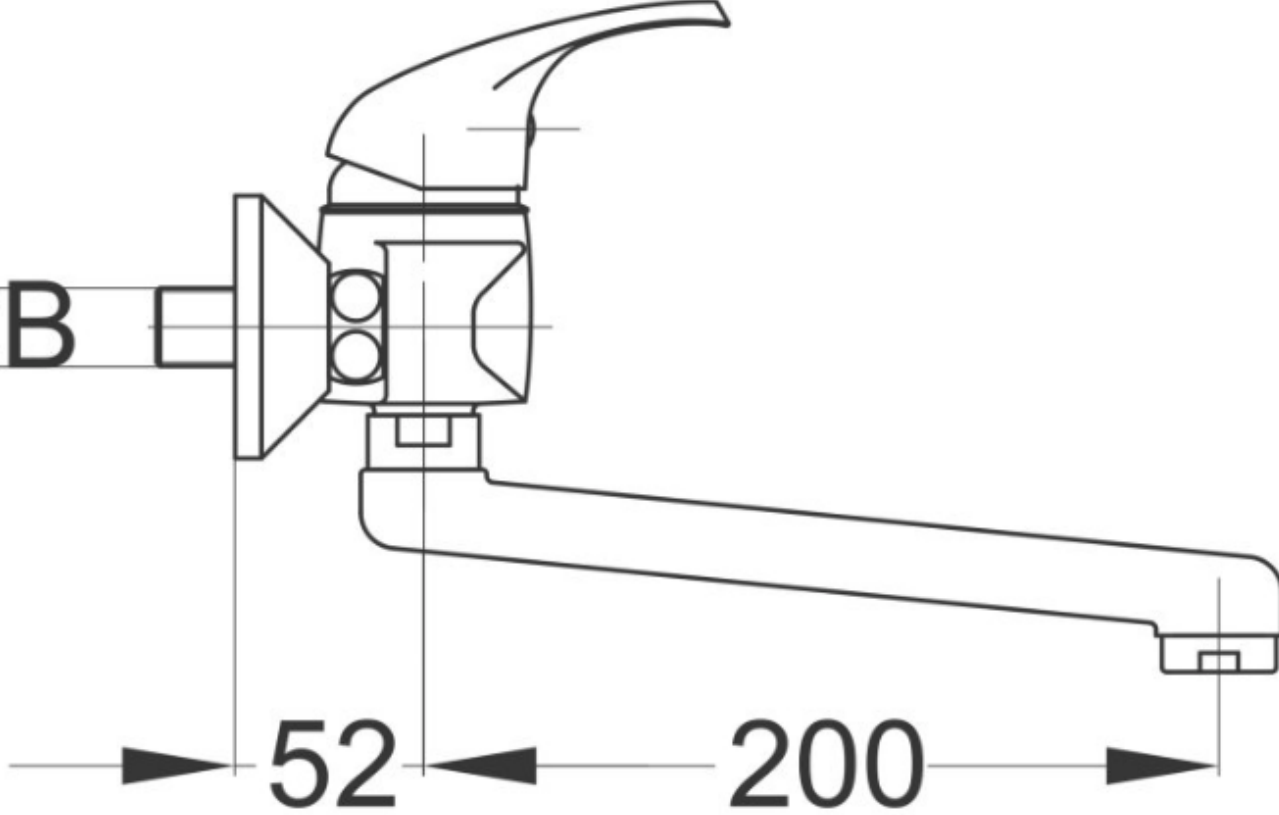


G1/2B



130 - 170

