

# ESBE SERIES CRB100



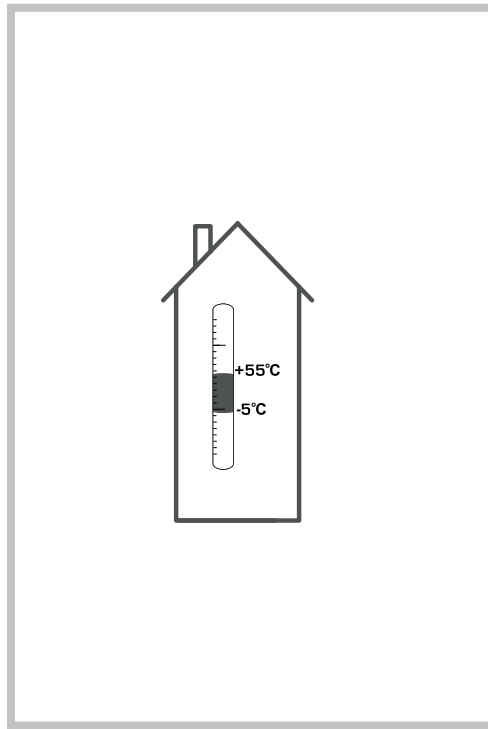
Series CRB110  
Series CRB120

CE

LVD 2014/35/EU  
EMC 2014/30/EU  
RoHS 2011/65/EU  
RED 2014/53/EU  
EN 300220-2



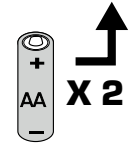
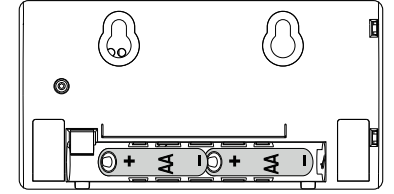
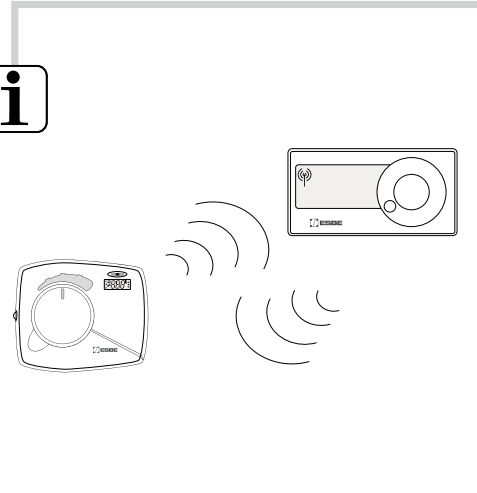
DECLARATION OF CONFORMITY - CRB100  
<http://www.esbe.eu/global/en/support/download-documents> (Certificates)



## 1A



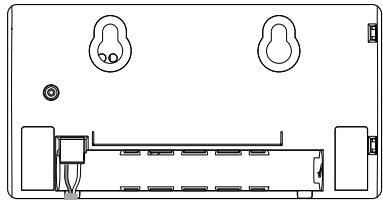
### Series CRB120



## 1B

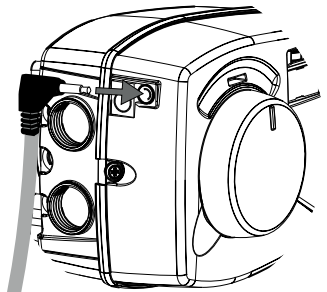
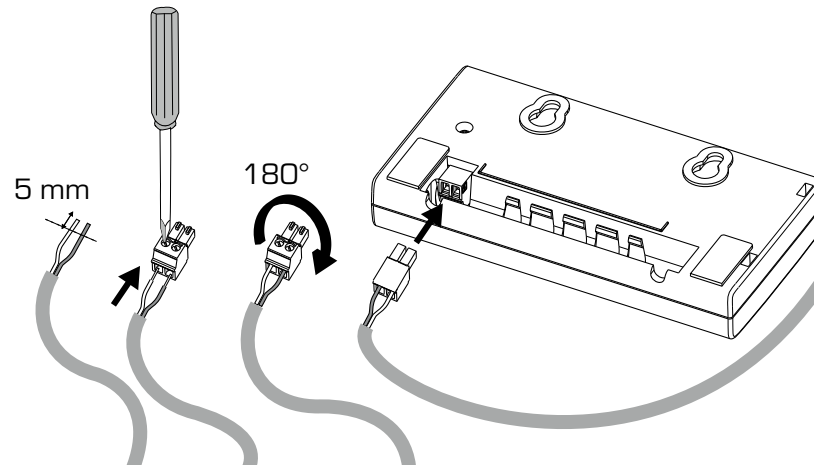


### Series CRB110

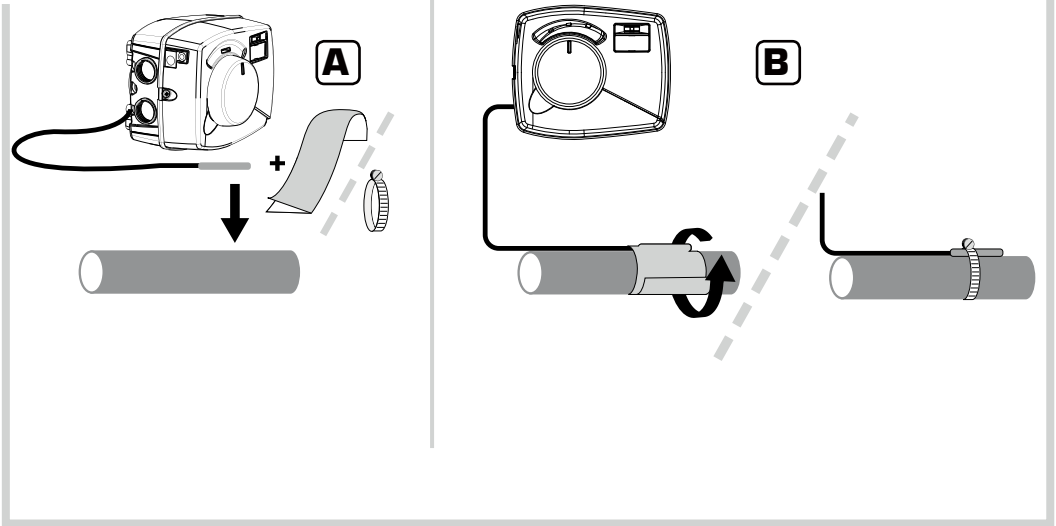


5 mm

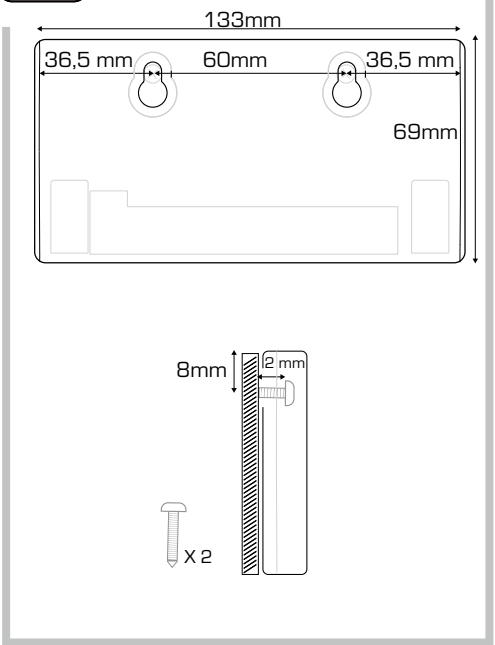
180°



2



i

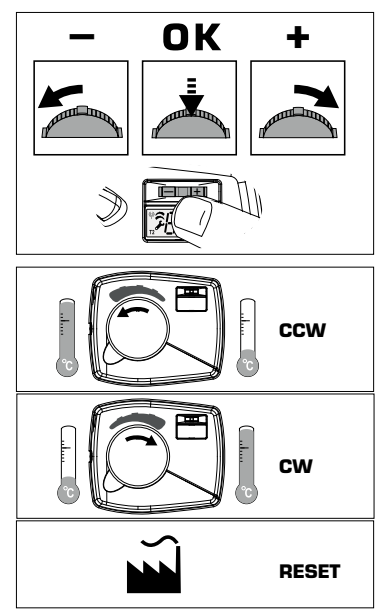


Mtrl.n: 9814 03 91 • Rit.n: 9211 utg. C • Rev. 1710

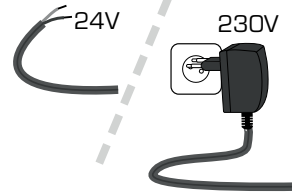
3



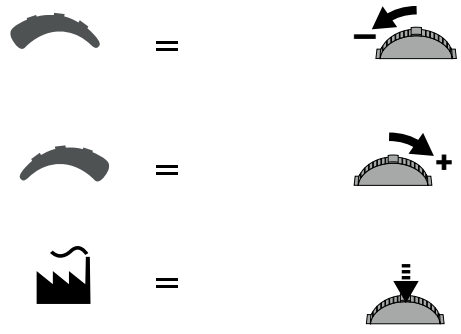
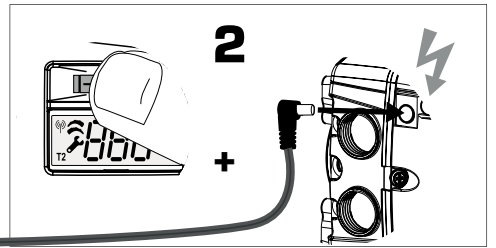
i



1

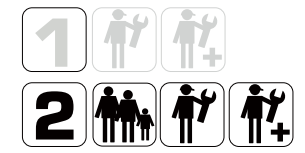


2



24V / 230V

24V / 230V



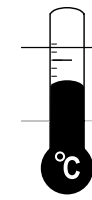
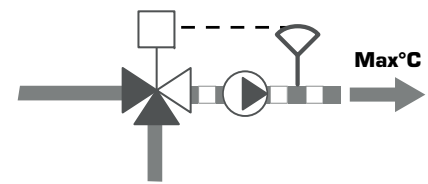
SERIES CRB100



NO.1 IN HYDRONIC SYSTEM CONTROL

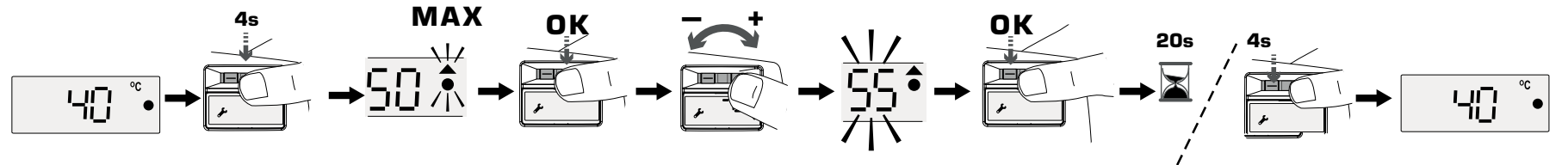


▲ = MAX

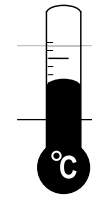
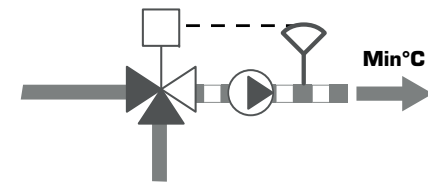


▲ Max°C  
● Min°C  
▼

	50 °C
	~40 - 50 °C
	~60 - 80 °C

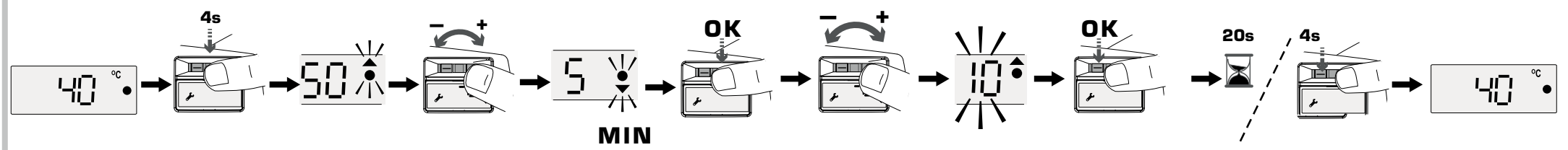


● = MIN



▲ Max°C  
● Min°C  
▼

	5 °C
	~5 - 25 °C
	~5 - 25 °C



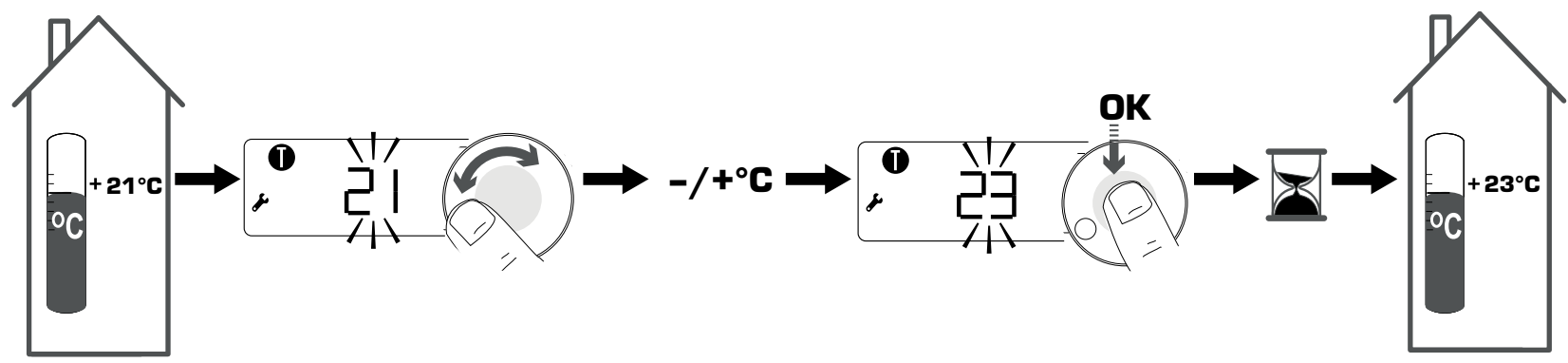
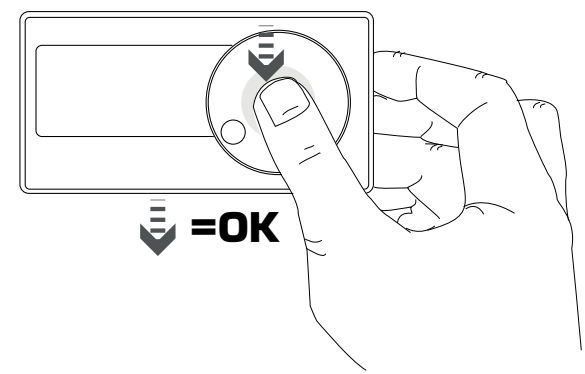
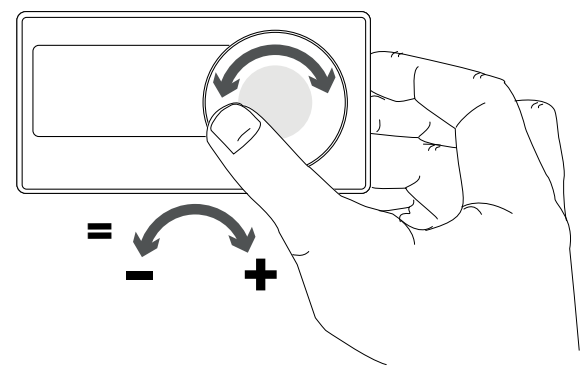
6



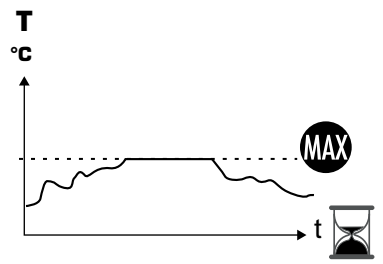
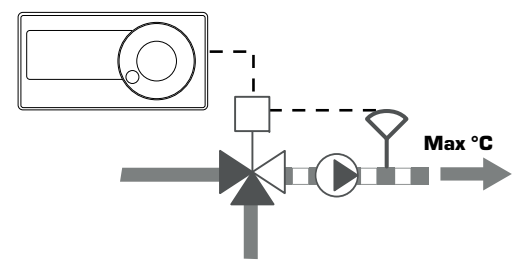
T



i



**i** **MAX**

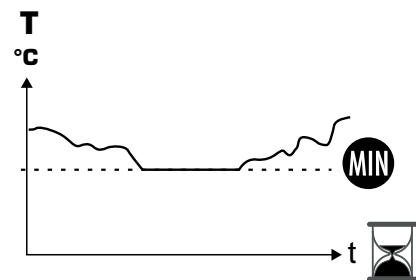
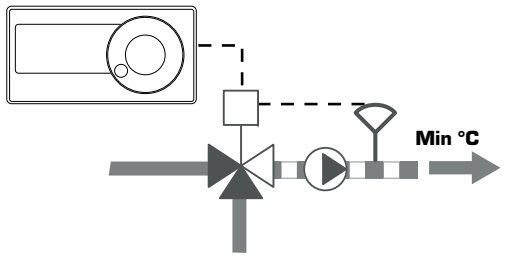


	<b>50 °C</b>
	<b>~40 - 50 °C</b>
	<b>~60 - 80 °C</b>
	<b>60 °C</b>

**21** **4s** **MAX MIN C**

**OK** **50** **MAX** **55** **-/+°C** **OK**

**i** **MIN**



	<b>5 °C</b>
	<b>~5 - 25 °C</b>
	<b>~5 - 25 °C</b>
	<b>~5 - 25 °C</b>

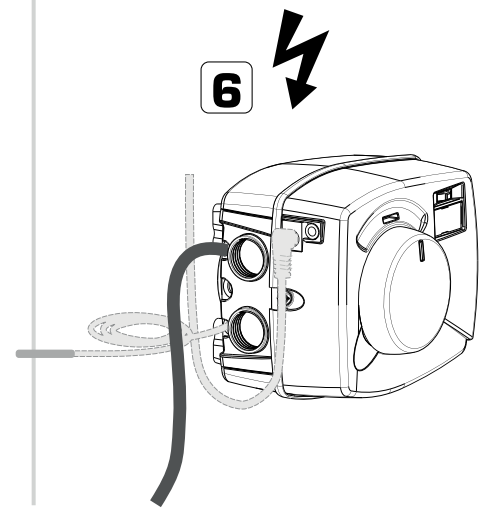
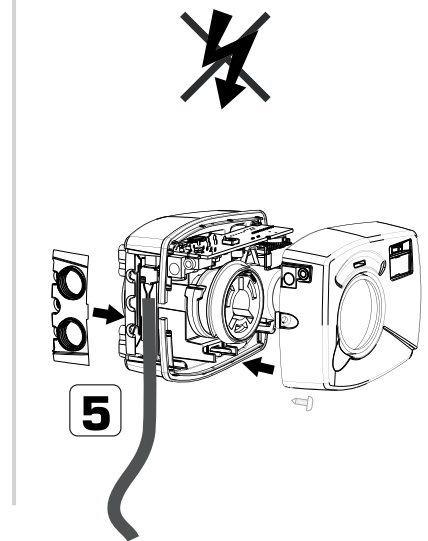
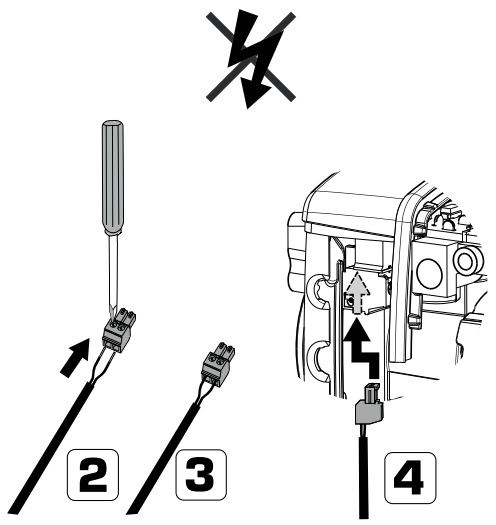
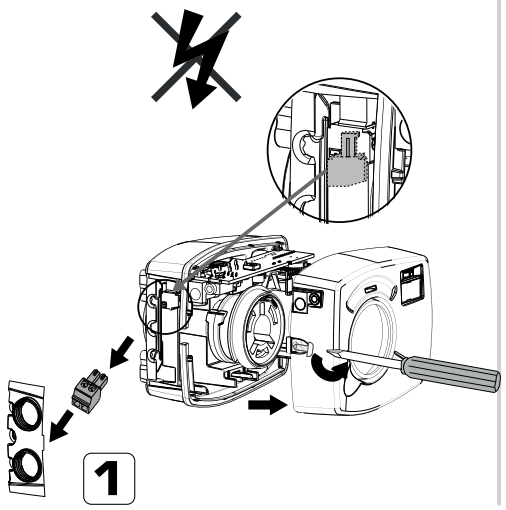
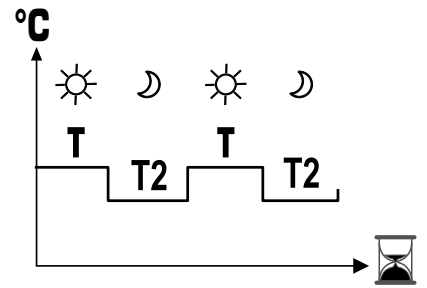
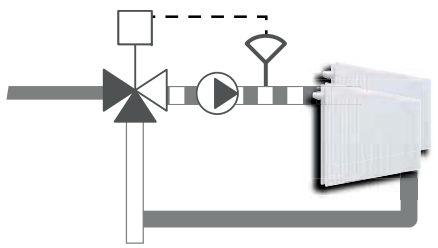
**21** **4s** **MAX MIN C**

**OK** **5** **MIN** **10** **-/+°C** **OK**

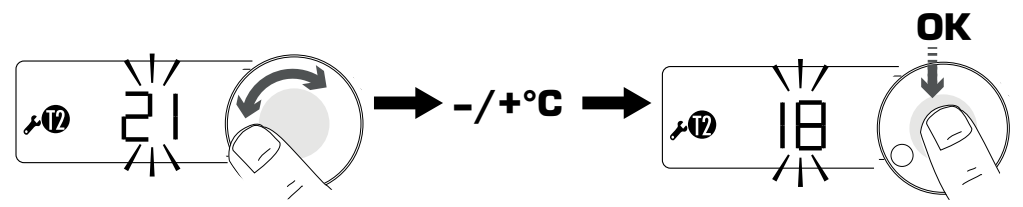
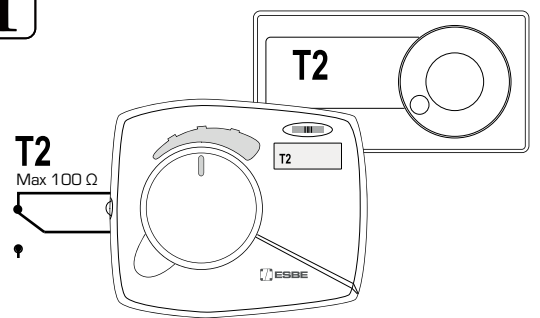
**i** **T2**



**i**



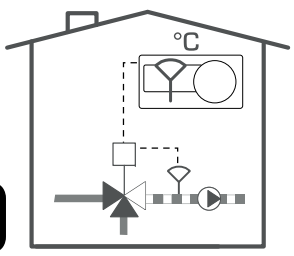
**i**



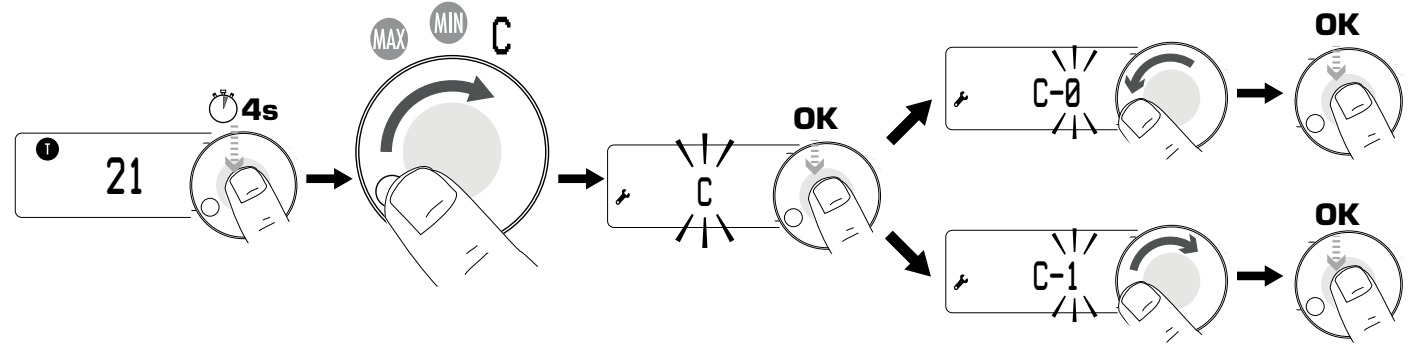
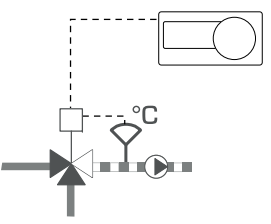


**i**

**C-0**

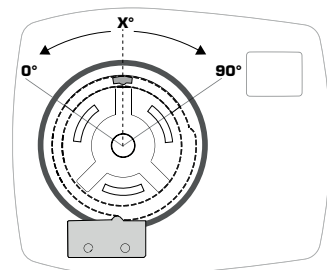


**C-1**



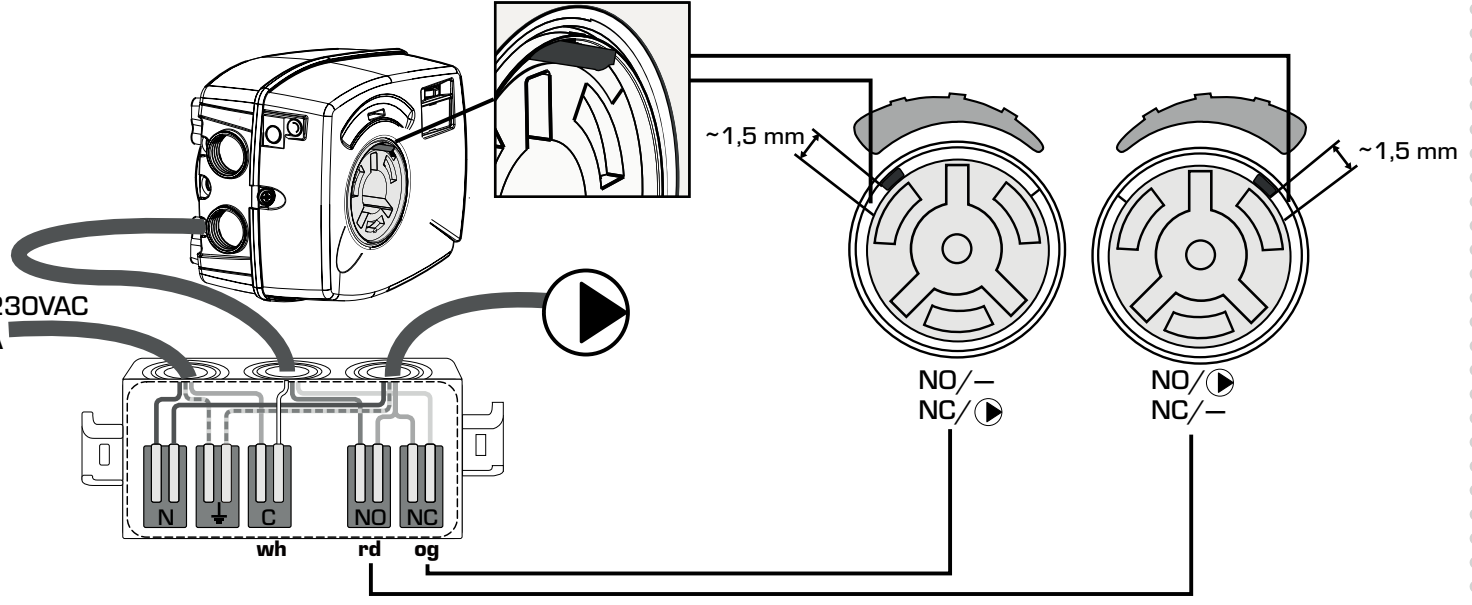
**Series CRB113 ON/OFF**

**i**



	0° - X°	X° - 90°
NO		
NC		
	X° = 45°	

MAX 230VAC  
6 (3) A



**T**

**i**

