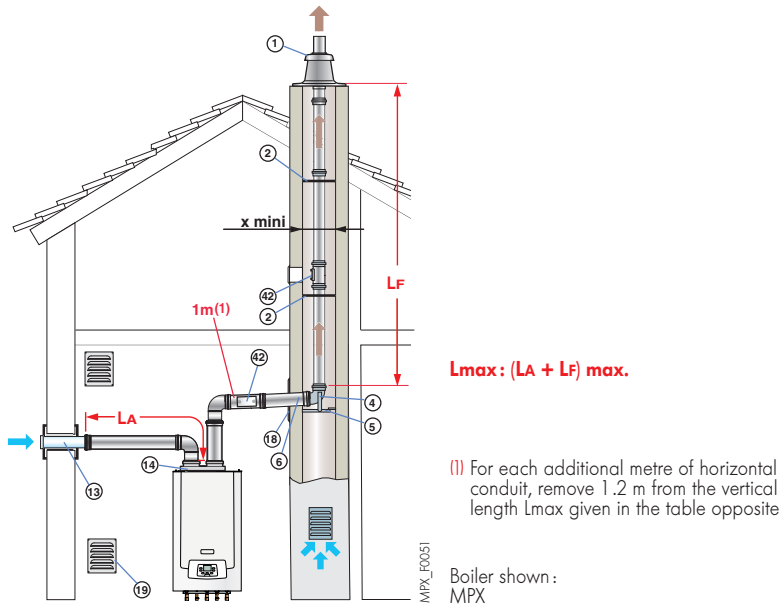


5 CONFIGURATION C₅₃ - SEPARATE AIR AND FLUE GAS PIPES IN PPS
(COMBUSTIVE AIR TAKEN FROM OUTSIDE)



⚠ Configuration only allowed in boiler room

Boiler types	with adapter bi-flux (Ø mm)	Lmax (m) Ø 60/100 to 2 x 80
MPX 24 Compact MPX ... MI Compact MPX 28/33 BIC		80*
	x mini \square (mm)	140
	x mini Ø (mm)	160

* L_{F max} = 15 m

Connect. Ø (mm)	Equivalent length (m)	
	80 (PPs)	
87° elbow	1.9	
45° elbow	1.2	
30° elbow	0.4	
15° elbow	0.2	
Straight inspection pipe	0.3	
Inspection T	4.2	

⇒ Alu flue systems accessories needed at the very least for connection using separate air/flue gas pipes (bi-flow)

Description	Diagrams with Dimensions/References	Boiler types	MPX
		Adapter bi-flux Ø (mm)	60/100 to 2 x 80
		Package/Ref.	
Adapter bi-flux Ø 60/100 mm on 2 x 80 mm		DY723 84887723	X
Outside air intake Ø 80 mm		DY38 84887438	X
Chimney connection kit Ø 80 mm rigid		DY717 84887717	X
Finishing plate for chimney Ø 80 mm		DY757 84887757	X

⇒ Other flue systems accessories available, see pages 94 (PPs rigid) and 98 (common accessories)