

TECE data sheet

Status as of 22.07.2019



TECEdrainline shower channel, straight, with Seal System sealing tape

Article number: 600800

Nominal length: 800 mm

Total length L: 811 mm

Visible dim. after installation: 751 mm

Width in unfinished state: 150 mm

Visible width after installation: 71 mm

DU 1: 1 pc.

DU 2: 40 pc.

Description:

Straight channel body for installation in the screed, with flange and Seal System sealing tape, for creating an independently tested connection of the TECEdrainline shower channel to the composite seal.

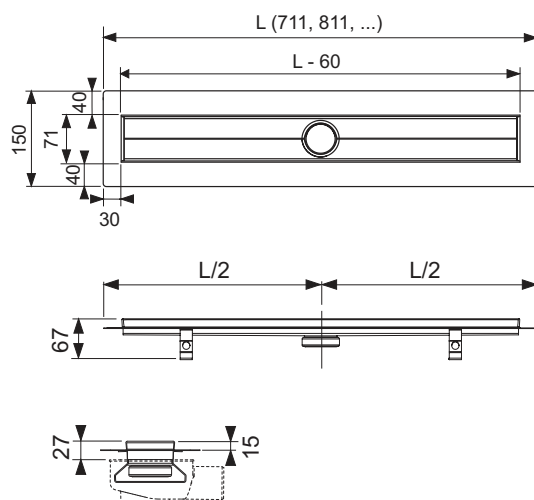
Consisting of:

- Channel body with flange made of polished stainless steel, material 1.4301 (304)
- Seal System sealing tape with matting for installation by the customer in the liquid or strip composite seal
- Connecting clips for anchoring in the screed and fitting of optional assembly feet
- Central connection pieces for drain
- Internal incline for improved water drainage and self-cleaning effect
- Seal

Sales data:

Commodity group: 600
Product group: 3006000010
TECEdrainline shower channel, straight, 800 mm with Seal System sealing tape

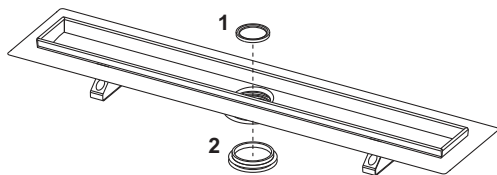
Dimensional drawings:



TECE data sheet

Status as of 22.07.2019

Spare parts:



- | | | |
|---|--------|---|
| 1 | 668012 | Immersion pipe seal |
| 2 | 668013 | Seal between channel and outlet, until 2015 |