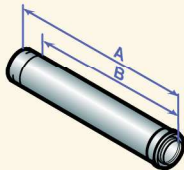
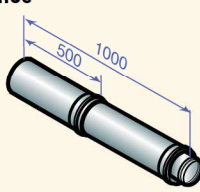
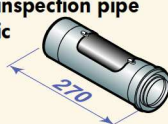
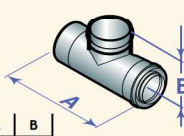
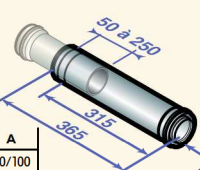
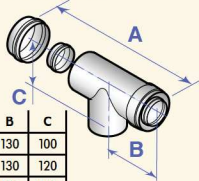

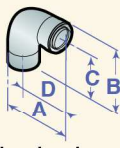
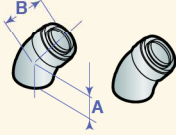
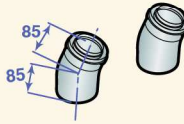
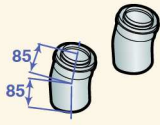
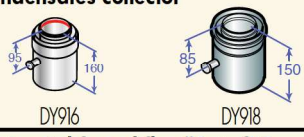
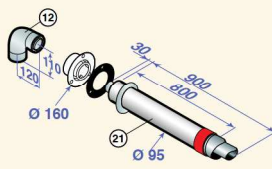
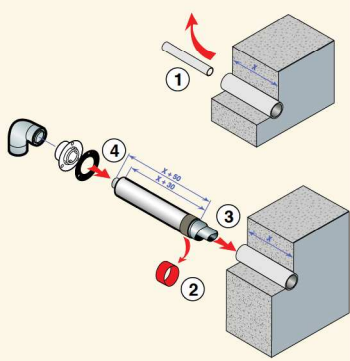


CONCENTRIC ALU/PPS FLUE SYSTEMS ACCESSORIES AVAILABLE

Extension concentric 	⑪	<table border="1"> <thead> <tr> <th>Ø 60/100 mm</th> <th>Length (mm)</th> <th>Ref.</th> </tr> </thead> <tbody> <tr> <td>DY681</td> <td>500</td> <td>84887681</td> </tr> <tr> <td>DY682</td> <td>1000</td> <td>84887682</td> </tr> <tr> <td>DY683</td> <td>1950</td> <td>84887683</td> </tr> </tbody> </table>	Ø 60/100 mm	Length (mm)	Ref.	DY681	500	84887681	DY682	1000	84887682	DY683	1950	84887683																						
		Ø 60/100 mm	Length (mm)	Ref.																																
		DY681	500	84887681																																
DY682	1000	84887682																																		
DY683	1950	84887683																																		
<table border="1"> <thead> <tr> <th>Ø 80/125 mm</th> <th>Length (mm)</th> <th>Ref.</th> </tr> </thead> <tbody> <tr> <td>DY126</td> <td>250</td> <td>84887526</td> </tr> <tr> <td>DY127</td> <td>500</td> <td>84887527</td> </tr> <tr> <td>DY128</td> <td>1000</td> <td>84887528</td> </tr> <tr> <td>DY129</td> <td>1950</td> <td>84887529</td> </tr> </tbody> </table>	Ø 80/125 mm	Length (mm)	Ref.	DY126	250	84887526	DY127	500	84887527	DY128	1000	84887528	DY129	1950	84887529																					
Ø 80/125 mm	Length (mm)	Ref.																																		
DY126	250	84887526																																		
DY127	500	84887527																																		
DY128	1000	84887528																																		
DY129	1950	84887529																																		
<table border="1"> <thead> <tr> <th>Ø 110/150 mm</th> <th>Length (mm)</th> <th>Ref.</th> </tr> </thead> <tbody> <tr> <td>DY811</td> <td>500</td> <td>100002351</td> </tr> <tr> <td>DY812</td> <td>1000</td> <td>100002352</td> </tr> </tbody> </table>	Ø 110/150 mm	Length (mm)	Ref.	DY811	500	100002351	DY812	1000	100002352																											
Ø 110/150 mm	Length (mm)	Ref.																																		
DY811	500	100002351																																		
DY812	1000	100002352																																		
<table border="1"> <thead> <tr> <th></th> <th>A</th> <th>B</th> </tr> </thead> <tbody> <tr> <td>DY126</td> <td>250</td> <td>200</td> </tr> <tr> <td>DY681, DY127, DY811</td> <td>500</td> <td>450</td> </tr> <tr> <td>DY682, DY128, DY812</td> <td>1000</td> <td>950</td> </tr> <tr> <td>DY683, DY129</td> <td>1950</td> <td>1900</td> </tr> </tbody> </table>		A	B	DY126	250	200	DY681, DY127, DY811	500	450	DY682, DY128, DY812	1000	950	DY683, DY129	1950	1900																					
	A	B																																		
DY126	250	200																																		
DY681, DY127, DY811	500	450																																		
DY682, DY128, DY812	1000	950																																		
DY683, DY129	1950	1900																																		
Extension concentric PPs/Galvanized steel for horizontal forced flue 	⑪	<table border="1"> <thead> <tr> <th>Ø 160/220 mm</th> <th>Ref.</th> </tr> </thead> <tbody> <tr> <td>DY857</td> <td>100004040</td> </tr> </tbody> </table>	Ø 160/220 mm	Ref.	DY857	100004040																														
Ø 160/220 mm	Ref.																																			
DY857	100004040																																			
Straight inspection pipe concentric 	⑦	<table border="1"> <thead> <tr> <th>Ø 80/125 mm</th> <th>Equ. length*</th> <th>Ref.</th> </tr> </thead> <tbody> <tr> <td>DY124</td> <td>0.6</td> <td>84887524</td> </tr> </tbody> </table>	Ø 80/125 mm	Equ. length*	Ref.	DY124	0.6	84887524																												
Ø 80/125 mm	Equ. length*	Ref.																																		
DY124	0.6	84887524																																		
Inspection sleeve concentric 	⑦	<table border="1"> <thead> <tr> <th>Ø 60/100 mm</th> <th>Equ. length*</th> <th>Ref.</th> </tr> </thead> <tbody> <tr> <td>DY689</td> <td>0.5</td> <td>84887689</td> </tr> </tbody> </table> <table border="1"> <thead> <tr> <th>Ø 110/150 mm</th> <th>Equ. length*</th> <th>Ref.</th> </tr> </thead> <tbody> <tr> <td>DY815</td> <td>1.0</td> <td>100002355</td> </tr> </tbody> </table> <table border="1"> <thead> <tr> <th></th> <th>A</th> <th>B</th> </tr> </thead> <tbody> <tr> <td>DY689</td> <td>250</td> <td>100</td> </tr> <tr> <td>DY815</td> <td>270</td> <td>140</td> </tr> </tbody> </table>	Ø 60/100 mm	Equ. length*	Ref.	DY689	0.5	84887689	Ø 110/150 mm	Equ. length*	Ref.	DY815	1.0	100002355		A	B	DY689	250	100	DY815	270	140													
Ø 60/100 mm	Equ. length*	Ref.																																		
DY689	0.5	84887689																																		
Ø 110/150 mm	Equ. length*	Ref.																																		
DY815	1.0	100002355																																		
	A	B																																		
DY689	250	100																																		
DY815	270	140																																		
Compensation sleeve concentric 	⑰	<table border="1"> <thead> <tr> <th>Ø 60/100 mm</th> <th>Ref.</th> </tr> </thead> <tbody> <tr> <td>DY688</td> <td>84887688</td> </tr> </tbody> </table> <table border="1"> <thead> <tr> <th>Ø 80/125 mm</th> <th>Ref.</th> </tr> </thead> <tbody> <tr> <td>DY130</td> <td>84887530</td> </tr> </tbody> </table> <table border="1"> <thead> <tr> <th></th> <th>A</th> </tr> </thead> <tbody> <tr> <td>DY688</td> <td>60/100</td> </tr> <tr> <td>DY130</td> <td>80/125</td> </tr> </tbody> </table>	Ø 60/100 mm	Ref.	DY688	84887688	Ø 80/125 mm	Ref.	DY130	84887530		A	DY688	60/100	DY130	80/125																				
Ø 60/100 mm	Ref.																																			
DY688	84887688																																			
Ø 80/125 mm	Ref.																																			
DY130	84887530																																			
	A																																			
DY688	60/100																																			
DY130	80/125																																			
Inspection T concentric 	⑧	<table border="1"> <thead> <tr> <th>Ø 60/100 mm</th> <th>Equ. length*</th> <th>Ref.</th> </tr> </thead> <tbody> <tr> <td>DY737</td> <td>22</td> <td>84887737</td> </tr> </tbody> </table> <table border="1"> <thead> <tr> <th>Ø 80/125 mm</th> <th>Equ. length*</th> <th>Ref.</th> </tr> </thead> <tbody> <tr> <td>DY125</td> <td>27</td> <td>84887525</td> </tr> </tbody> </table> <table border="1"> <thead> <tr> <th>Ø 110/150 mm</th> <th>Equ. length*</th> <th>Ref.</th> </tr> </thead> <tbody> <tr> <td>DY816</td> <td>25</td> <td>100002356</td> </tr> </tbody> </table> <table border="1"> <thead> <tr> <th></th> <th>A</th> <th>B</th> <th>C</th> </tr> </thead> <tbody> <tr> <td>DY737</td> <td>250</td> <td>130</td> <td>100</td> </tr> <tr> <td>DY125</td> <td>270</td> <td>130</td> <td>120</td> </tr> <tr> <td>DY816</td> <td>270</td> <td>120</td> <td>140</td> </tr> </tbody> </table>	Ø 60/100 mm	Equ. length*	Ref.	DY737	22	84887737	Ø 80/125 mm	Equ. length*	Ref.	DY125	27	84887525	Ø 110/150 mm	Equ. length*	Ref.	DY816	25	100002356		A	B	C	DY737	250	130	100	DY125	270	130	120	DY816	270	120	140
Ø 60/100 mm	Equ. length*	Ref.																																		
DY737	22	84887737																																		
Ø 80/125 mm	Equ. length*	Ref.																																		
DY125	27	84887525																																		
Ø 110/150 mm	Equ. length*	Ref.																																		
DY816	25	100002356																																		
	A	B	C																																	
DY737	250	130	100																																	
DY125	270	130	120																																	
DY816	270	120	140																																	
Inspection elbow concentric 	⑳	<table border="1"> <thead> <tr> <th>Ø 80/125 mm</th> <th>Equ. length*</th> <th>Ref.</th> </tr> </thead> <tbody> <tr> <td>DY 875</td> <td>20</td> <td>100008311</td> </tr> </tbody> </table>	Ø 80/125 mm	Equ. length*	Ref.	DY 875	20	100008311																												
Ø 80/125 mm	Equ. length*	Ref.																																		
DY 875	20	100008311																																		

* Equivalent length (m)

Elbow concentric at 87° 	⑫	<table border="1"> <thead> <tr> <th>Ø 60/100 mm</th> <th>Equ. length*</th> <th>Angle</th> <th>Ref.</th> </tr> </thead> <tbody> <tr> <td>DY684</td> <td>1.1</td> <td>87°</td> <td>84887684</td> </tr> <tr> <td>DY685</td> <td>0.8</td> <td>45° (2 pces)</td> <td>84887685</td> </tr> <tr> <td>DY686</td> <td>0.7</td> <td>30° (2 pces)</td> <td>84887686</td> </tr> <tr> <td>DY687</td> <td>0.5</td> <td>15° (2 pces)</td> <td>84887687</td> </tr> </tbody> </table>	Ø 60/100 mm	Equ. length*	Angle	Ref.	DY684	1.1	87°	84887684	DY685	0.8	45° (2 pces)	84887685	DY686	0.7	30° (2 pces)	84887686	DY687	0.5	15° (2 pces)	84887687
		Ø 60/100 mm	Equ. length*	Angle	Ref.																	
		DY684	1.1	87°	84887684																	
DY685	0.8	45° (2 pces)	84887685																			
DY686	0.7	30° (2 pces)	84887686																			
DY687	0.5	15° (2 pces)	84887687																			
<table border="1"> <thead> <tr> <th></th> <th>A</th> <th>B</th> <th>C</th> <th>D</th> </tr> </thead> <tbody> <tr> <td>DY684</td> <td>170</td> <td>162</td> <td>110</td> <td>120</td> </tr> <tr> <td>DY131</td> <td>193</td> <td>185</td> <td>120</td> <td>130</td> </tr> <tr> <td>DY813</td> <td>239</td> <td>241</td> <td>165</td> <td>164</td> </tr> </tbody> </table>		A	B	C	D	DY684	170	162	110	120	DY131	193	185	120	130	DY813	239	241	165	164		
	A	B	C	D																		
DY684	170	162	110	120																		
DY131	193	185	120	130																		
DY813	239	241	165	164																		
<table border="1"> <thead> <tr> <th>Ø 80/125 mm</th> <th>Equ. length*</th> <th>Angle</th> <th>Ref.</th> </tr> </thead> <tbody> <tr> <td>DY131</td> <td>1.5</td> <td>87°</td> <td>84887531</td> </tr> <tr> <td>DY132</td> <td>1.0</td> <td>45° (2 pces)</td> <td>84887532</td> </tr> </tbody> </table>	Ø 80/125 mm	Equ. length*	Angle	Ref.	DY131	1.5	87°	84887531	DY132	1.0	45° (2 pces)	84887532										
Ø 80/125 mm	Equ. length*	Angle	Ref.																			
DY131	1.5	87°	84887531																			
DY132	1.0	45° (2 pces)	84887532																			
at 45° 		<table border="1"> <thead> <tr> <th></th> <th>A</th> <th>B</th> </tr> </thead> <tbody> <tr> <td>DY685</td> <td>70</td> <td>80</td> </tr> <tr> <td>DY132</td> <td>90</td> <td>90</td> </tr> <tr> <td>DY814</td> <td>110</td> <td>110</td> </tr> </tbody> </table>		A	B	DY685	70	80	DY132	90	90	DY814	110	110								
	A	B																				
DY685	70	80																				
DY132	90	90																				
DY814	110	110																				
at 30° 		<table border="1"> <thead> <tr> <th>Ø 110/150 mm</th> <th>Equ. length*</th> <th>Angle</th> <th>Ref.</th> </tr> </thead> <tbody> <tr> <td>DY813</td> <td>3.7</td> <td>87°</td> <td>100002353</td> </tr> <tr> <td>DY814</td> <td>1.0</td> <td>45° (2 pces)</td> <td>100002354</td> </tr> </tbody> </table>	Ø 110/150 mm	Equ. length*	Angle	Ref.	DY813	3.7	87°	100002353	DY814	1.0	45° (2 pces)	100002354								
Ø 110/150 mm	Equ. length*	Angle	Ref.																			
DY813	3.7	87°	100002353																			
DY814	1.0	45° (2 pces)	100002354																			
at 15° 																						
Condensates collector 		<table border="1"> <thead> <tr> <th>Ø 80/125 mm</th> <th>Equ. length*</th> <th>Ref.</th> </tr> </thead> <tbody> <tr> <td>DY916</td> <td>0.8</td> <td>100018981</td> </tr> </tbody> </table> <table border="1"> <thead> <tr> <th>Ø 110/150 mm</th> <th>Equ. length*</th> <th>Ref.</th> </tr> </thead> <tbody> <tr> <td>DY918</td> <td>0.6</td> <td>100018984</td> </tr> </tbody> </table>	Ø 80/125 mm	Equ. length*	Ref.	DY916	0.8	100018981	Ø 110/150 mm	Equ. length*	Ref.	DY918	0.6	100018984								
Ø 80/125 mm	Equ. length*	Ref.																				
DY916	0.8	100018981																				
Ø 110/150 mm	Equ. length*	Ref.																				
DY918	0.6	100018984																				
Horizontal forced flue "Retrofit" 		<table border="1"> <thead> <tr> <th>Ø 60/95 mm</th> <th>Ref.</th> </tr> </thead> <tbody> <tr> <td>DY912</td> <td>100017526</td> </tr> </tbody> </table>	Ø 60/95 mm	Ref.	DY912	100017526																
Ø 60/95 mm	Ref.																					
DY912	100017526																					
																						

* Equivalent length (m)