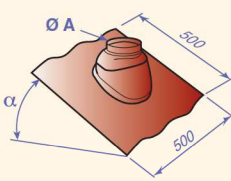


FLUE SYSTEMS COMMON ACCESSORIES

Flue tile (28)

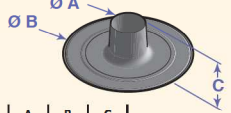


	A
CX104, CX106	172
CX121, 120, 52, 83, 63, 84	500

for Ø 80/125 mm	Slope/Col.	Ref.
CX121	5 at 25° black	84837121
CX120	5 at 25° red	84837120
CX52	25 at 45° black	84837732
CX83	25 at 45° red	84837783
CX63	35 at 55° black	84837734
CX84	35 at 55° red	84837784

for Ø 100/150 mm	Slope/Col.	Ref.
CX104	25 at 45° black	84827104
CX106	25 at 45° red	84827106

Water tightness bed plate for flat roof (27)



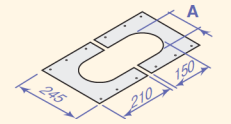
	A	B	C
CX103	170	474	100
CX51	135	410	100
DY828	220	492	150

for Ø 80/125 mm	Ref.
CX51	84837731

for Ø 100/150 mm	Ref.
CX103	84827103

for Ø 150/220 or Ø 160/220 mm	Ref.
DY828	100002402

Internal finishing plate (26)



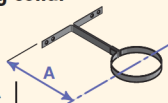
	A
CX72	130
CX115	150
DY840	160

for Ø 80/125 mm	Ref.
CX72	84837741

for Ø 100/150 mm	Ref.
CX115	84827115

Ø 220 mm	Ref.
DY840	100002700

Fastening collar (29)



	A
CX118	125
CX79	232

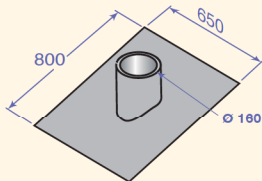
	A	
CX111	150	White
DY841	150	Metal
DY842	160	Metal

Ø 125 mm	Ref.
CX118 short lug	84837118
CX79 long lug	84837779

Ø 150 mm	Ref.
CX111 (white)	84827111
DY841 (metal)	100002693


Ø 160 mm	Ref.
DY842 (metal)	100002693

Flashing for sloping roof (28)



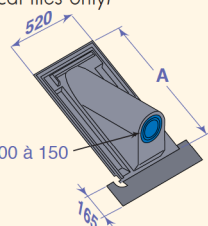
Ø 160/220 mm	Ref.
DY829	100002403

Water tightness clamp for outside mounting (41)



Ø 125 mm	Ref.
DY51	84887451

Roof outlet (for mechanical tiles only) (22)

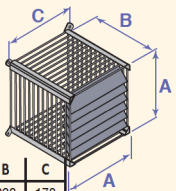


	A
CX49	700
DY11	880

Roof with slope of 30 at 45°	Ref.
DY11	84887411

Roof with slope of 40 at 55°	Ref.
CX49	84837729

Galvanized steel protection basket (25)



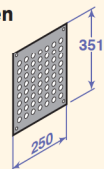
	A	B	C
DY166	154	228	170
DY865	229	260	237
DY866	254	268	270

for Ø 60/100 mm	Ref.
DY166	84887566

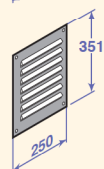
for Ø 80/125 mm	Ref.
DY865	100005002

for Ø 110/150 mm	Ref.
DY866	100005004

Ventilation screen interior (19)



exterior



Interior ventilation screen	Ref.
DY36	84887436

Exterior ventilation screen	Ref.
DY35	84887435