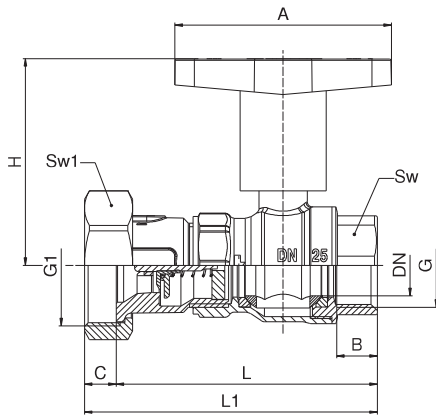


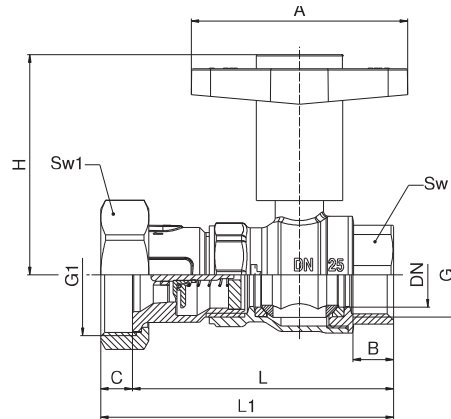
# HERZ - ball valve for pump

Datasheet 1 22XX XX

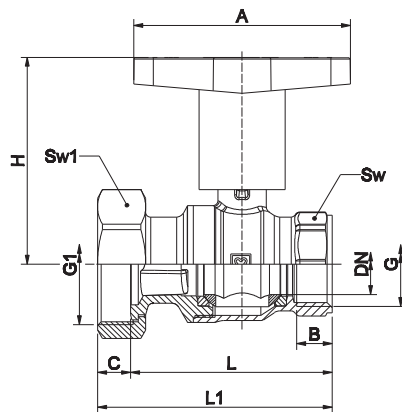
## ☑ Dimensions



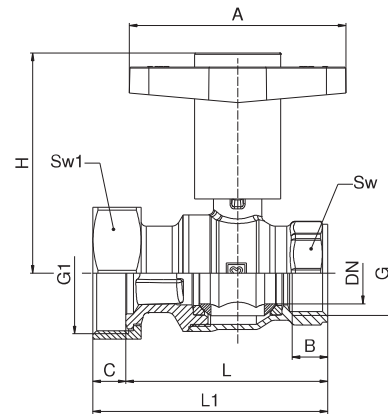
1 2229 03 (06)



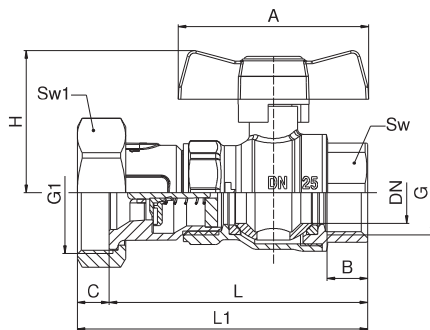
1 2229 13 (16)



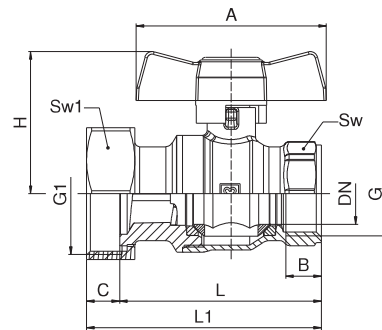
1 2229 23 (26)



1 2229 33 (36)



1 2268 03 (04)



1 2269 03 (04)

Model	DN	Handle cover	T	NV	G [in]	G1 [in]	L [mm]	L1 [mm]	A [mm]	B [mm]	C [mm]	H [mm]	Sw [mm]	Sw1 [mm]	Weight [kg]
1 2229 03	25	Red	No	Yes	1"	1-1/2"	103	115	85	16	12,5	81,5	39	52	0,74
1 2229 04	32	Red	No	Yes	1-1/4"	2"	118	131	85	18	13,5	86	48	65	1,09
1 2229 05	25	Blue	No	Yes	1"	1-1/2"	103	115	85	16	12,5	81,5	39	52	0,74
1 2229 06	32	Blue	No	Yes	1-1/4"	2"	118	131	85	18	13,5	86	48	65	1,09
1 2229 13	25	Red	Yes	Yes	1"	1-1/2"	103	115	85	16	12,5	86,8	39	52	0,78
1 2229 14	32	Red	Yes	Yes	1-1/4"	2"	118	131	85	18	13,5	91,8	48	65	1,13
1 2229 15	25	Blue	Yes	Yes	1"	1-1/2"	103	115	85	16	12,5	86,8	39	52	0,78
1 2229 16	32	Blue	Yes	Yes	1-1/4"	2"	118	131	85	18	13,5	91,8	48	65	1,13
1 2229 23	25	Red	No	No	1"	1-1/2"	79,5	92,5	85	14	13	81,5	39	52	0,59
1 2229 24	32	Red	No	No	1-1/4"	2"	89	102,5	85	16	13,5	86,8	48	65	0,89
1 2229 25	25	Blue	No	No	1"	1-1/2"	79,5	92,5	85	14	13	81,5	39	52	0,59
1 2229 26	32	Blue	No	No	1-1/4"	2"	89	102,5	85	16	13,5	86,8	48	65	0,89
1 2229 33	25	Red	Yes	No	1"	1-1/2"	79,5	92,5	85	14	13	86,8	39	52	0,63
1 2229 34	32	Red	Yes	No	1-1/4"	2"	89	102,5	85	16	13,5	91,8	48	65	0,93
1 2229 35	25	Blue	Yes	No	1"	1-1/2"	79,5	92,5	85	14	13	86,8	39	52	0,63
1 2229 36	32	Blue	Yes	No	1-1/4"	2"	89	102,5	85	16	13,5	91,8	48	65	0,93
1 2268 03	25	Red	No	Yes	1"	1-1/2"	102	114,5	75	16	12,5	56	39	52	0,76
1 2268 04	32	Red	No	Yes	1-1/4"	2"	116	129	75	18	13,5	62	48	65	1,27
1 2269 03	25	Red	No	No	1"	1-1/2"	79,5	92,5	75	14	13	56	39	52	0,59
1 2269 04	32	Red	No	No	1-1/4"	2"	89	102,5	75	16	13,5	62	48	65	1,07

T = Thermometer

NV = Non-return valve

#### ☑ Material and construction

Body (1 2229 XX):	forged brass acc. to EN 12165, nickel plated, CW617N
Body (1 226X OX):	forged brass acc. to EN 12165, CW617N
Ball:	forged brass acc. to EN 12165, hollow, full bore, hard chrome plated, CW617N
Spindle:	turned brass acc. to EN 12164, CW614N
Handle :	T-handle, red, silumin T-handle, red / blue, synthetic material PA66 GF30 T-handle with thermometer, red / blue, synthetic material PA66 GF30
Spindle seals:	PTFE
Ball seals:	PTFE
Internal threaded connectors:	acc. to ISO 228

#### ☑ Operating data

Max. operating pressure:	PN 16 bar
Min. operating temperature:	-30°C (water 0,5°C)
Max. operating temperature:	150°C (water 110°C-no steam)

Medium:

Heating water quality according to ÖNORM H5195 or VDI-Standard 2035. The use of ethylene or propylene glycol in a mixing ratio 25- 50% is allowed. Please refer to manufacturers documentation when using ethylene glycol products for frost and corrosion protection. HERZ ball valve for heating and chilled water is not suitable for usage of aggressive medium (such as: acids, alkalis, combustible and explosive gases..) because it can destroy sealing components.

#### ☑ Field of application

HERZ pump ball valves are used as closing valves in central heating and other installations. Main advantage of pump ball valves are possibility of fast connection of circulating pump through screw joint in a pair with articles 1 226X XX and 1 2229 XX.

#### ☑ Assembly instruction

Pump ball valve is mounted in front of the central heating circulating pump. The circulation pump is mounted with screw joint G1-1/2" and G2" that is attached to the valve flange. When assembling, use suitable assembly tool that adapts to valve end connections.

☑ **Additional informations**

For further informations about the field of application, brass, function principle, assembly, maintenance and disposal instructions see chapter "General information" on page 2.

☑ **Labels on ball valve**

