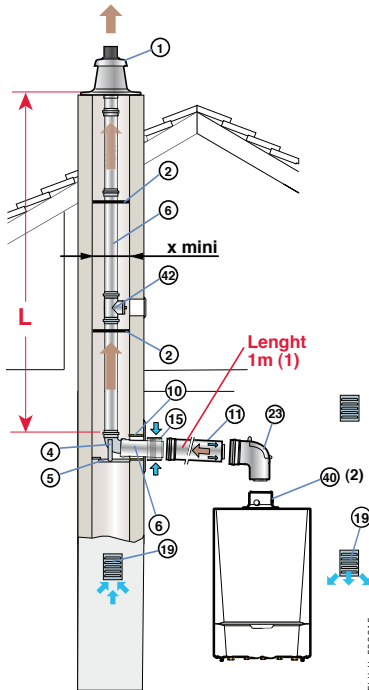


6 CONFIGURATION B_{23p} - CONNECTION TO A CHIMNEY USING RIGID PPS PIPES (COMBUSTIVE AIR TAKEN FROM THE BOILER ROOM)

MODULENS G®, TWINEO, ELIDENS DTG 130-45,
QUADRODENS, INNOVENS PRO MCA 45, INNOVENS MCA, VIVADENS



connect. Ø (mm)	Equivalent length (m)	
	80	80/125
87° elbow	1,9	1,5
45° elbow	1,2	1,0
30° elbow	0,4	-
15° elbow	0,2	-
Inspection T	4,2	2,7
Straight inspection pipe	0,3	0,6
Inspection elbow	0,7	2,0
Condensates recup.	1,3	0,8

(1) For each additional metre of horizontal conduit, remove 1.2 m from the vertical length Lmax given in the table opposite.
(2) Or location ③ or ③6 where appropriate

FUML_F0021F

Boiler shown: MCA

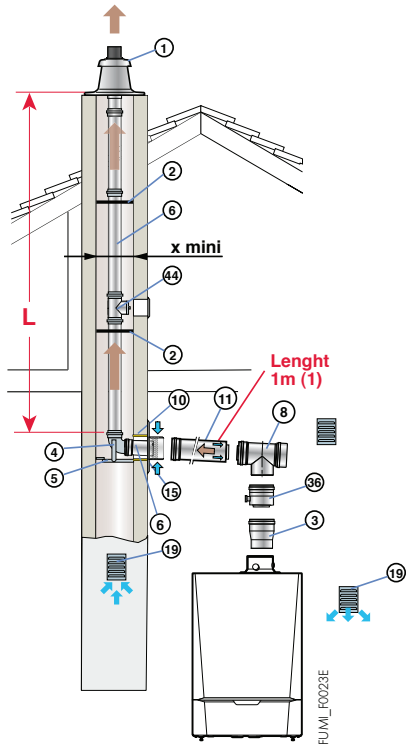
Boiler type	connect. Ø		Lmax (m) 80/125 80 rigid
	- in boiler room	- to chimney	
QUADRODENS DUC 25			23
ELIDENS DTG 130-45 INNOVENS PRO MCA 45			23,5
MODULENS G® AGC 10, 15, 25 TWINEO EGC 25 INNOVENS MCA 10, 15, 25			40
INNOVENS MCA 25/28 MI, 25/28 BIC			40
MODULENS G® AGC 35 INNOVENS MCA 35			40
VIVADENS MCR 24			33
VIVADENS MCR 24/28 MI VIVADENS MCR 24/28 BIC			37
VIVADENS MCR 30/35 MI			19
VIVADENS MCR 34/39 MI			33
x mini	□ (mm)		140
	Ø (mm)		160

⇒ PPS flue systems accessories needed at the very least for chimney connection using rigid pipes:

Description	Diagrams with Dimensions/References	Boiler types	ECODENS, SOLNEO, ELIDENS DTG (E) 130/1300-15, 25, QUADRODENS	INNOVENS MCA, VIVADENS	ELIDENS DTG (E) 130/1300-35, ELIDENS DTG 130-45, INNOVENS PRO MCA 45	
			connect. Ø (mm)	80/125	80/125	80/125
			- in boiler room - in chimney	80	80	80
		Package/Ref.				
Boiler connection kit Ø 80/125 mm		DY 913 100017527	X	X	X	
Chimney connection kit Ø 80 mm rigid		DY 717 84887717	X	X	X	
Adapter Ø 80/125 mm to 60/100 mm		③ DY 708 84887708	X			
Adapter Ø 80/125 mm		④0 HR 38 S100465		X		
Condensates recuperator Ø 80/125 mm		③6 DY 916 100018981			X	

6 CONFIGURATION B_{23p} - CONNECTION TO A CHIMNEY USING RIGID PPS PIPES (COMBUSTIVE AIR TAKEN FROM THE BOILER ROOM)

ELIDENS DTG 130-65 TO 115, INNOVENS PRO MCA 65 TO 115



connect. Ø (mm)	Equivalent length (m)	
	110	110/150
87° elbow	4,9	3,7
45° elbow	1,1	1,0
Inspection elbow	4,8	-
Inspection T	5,6	2,5
Straight inspection pipe	-	1,0
Condensates temp.	0,1	0,6

(1) For each additional metre of horizontal conduit, remove 1.2 m from the vertical length Lmax given in the table opposite.

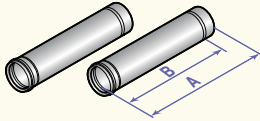
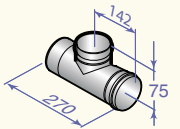
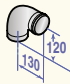
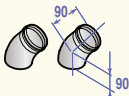
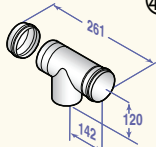
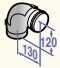
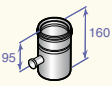
Boiler shown: MCA 65 to 11

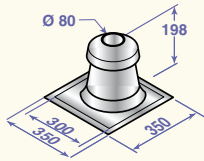

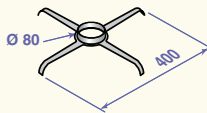
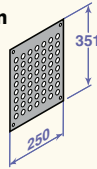
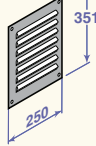
Boiler type	connect Ø - in boiler room - to chimney	Lmax (m) 110/150 110 rigid
ELIDENS DTG 130-65 INNOVENS PRO MCA 65		40
ELIDENS DTG 130-90 INNOVENS PRO MCA 90		40
ELIDENS DTG 130-115 INNOVENS PRO MCA 115		40
x mini	▣ (mm)	170
	○ (mm)	190

⇒ PPS flue systems accessories needed at the very least for chimney connection using rigid pipes:

Description	Diagrams with Dimensions/References	Boiler types	ELIDENS DTG 130-65 to 115, INNOVENS PRO MCA 65 to 115
		connect. Ø - in boiler room (mm)	110/150
		- in chimney	110
		Package/Ref.	
Boiler connection kit Ø 110/150 mm		DY 914 100017529	X
Chimney connection kit Ø 110 mm rigid		DY 177 84887577	X
Condensates temperator Ø 110/150 mm		DY 918 100018984	X
Adapter Ø 110/150 mm to 100/150 mm		DY 817 100002357	X

⇒ Other PPS single flue systems accessories available:

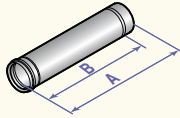
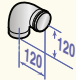
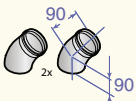
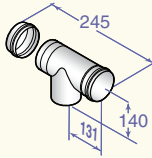
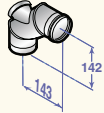
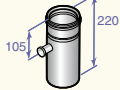
Single extension ⑥ 	Ø 80 mm L (mm) Ref. DY 613 250 (2 pieces) 84887613 DY 614 500 (2 pieces) 84887614 DY 615 1000 (2 pieces) 84887615 DY 150 1950 (2 pieces) 84887550														
	<table border="1"> <thead> <tr> <th></th> <th>A</th> <th>B</th> </tr> </thead> <tbody> <tr> <td>DY 613</td> <td>250</td> <td>200</td> </tr> <tr> <td>DY 614</td> <td>500</td> <td>450</td> </tr> <tr> <td>DY 615</td> <td>1000</td> <td>950</td> </tr> <tr> <td>DY 150</td> <td>1950</td> <td>1900</td> </tr> </tbody> </table>		A	B	DY 613	250	200	DY 614	500	450	DY 615	1000	950	DY 150	1950
	A	B													
DY 613	250	200													
DY 614	500	450													
DY 615	1000	950													
DY 150	1950	1900													
Inspection sleeve single ④② 	Ø 80 mm Ref. DY 146 84887546														
Single elbow at 87° ④③ 	Ø 80 mm Angle Ref. DY 152 87° 84887552 DY 154 45° (2-pieces) 84887554														
Single elbow at 45° 															
Inspection T single ④④ 	Ø 80 mm Ref. DY 163 84887563														
Inspection elbow single ④⑤ 	Ø 80 mm Ref. DY 877 100008301														
Condensates recuperator ③⑥ 	Ø 80 mm Ref. DY 919 100018985														

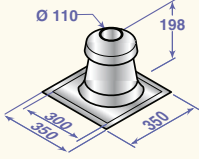

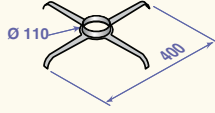
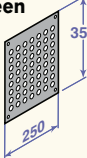
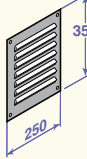
Air/flue gas vent with flashing ① 	Ø 80 mm Ref. DY 185 84887585
Stainless steel protection screen for roof outlet ③④ 	Ø 90 mm Ref. - 300007172
Centering star ② 	Ø 80 mm Ref. DY 151 (2 pieces) 84887551
Ventilation screen interior ①⑨ 	Interior ventilation screen DY 36 Ref. 84887436
exterior 	Exterior ventilation screen DY 35 Ref. 84887435

FUJMI_F0022A

⇒ Ø 80/125 mm concentric Alu/PPs flue systems accessories available : see page 25

⇒ Other PPS single flue systems accessories available:

Single extension 	⑥	Ø 110 mm L (mm) Ref. DY 180 500 84887580 DY 179 1000 84887579 DY 178 1000 84887578										
		<table border="1"> <thead> <tr> <th></th> <th>A</th> <th>B</th> </tr> </thead> <tbody> <tr> <td>DY 180</td> <td>500</td> <td>450</td> </tr> <tr> <td>DY 179</td> <td>1000</td> <td>950</td> </tr> <tr> <td>DY 178</td> <td>1950</td> <td>1900</td> </tr> </tbody> </table>		A	B	DY 180	500	450	DY 179	1000	950	DY 178
	A	B										
DY 180	500	450										
DY 179	1000	950										
DY 178	1950	1900										
Single elbow at 87° 	④3	Ø 110 mm Angle Ref. DY 181 87° 84887581 DY 182 45° (2-pieces) 84887582										
Single elbow at 45° 												
Inspection T single 	④4	Ø 110 mm Ref. DY 183 84887583										
Inspection elbow single 		Ø 110 mm Ref. DY 188 84887588										
Condensates recuperator 	③6	Ø 110 mm Ref. DY 917 100018983										

Air/flue gas vent with flashing 	①	Ø 110 mm Ref. DY 189 84887588
Stainless steel protection screen for roof outlet 		Ø 120 mm Ref. 300007173
Centering star 	②	Ø 110 mm Ref. DY 187 (2 pieces) 84887587
Ventilation screen interior 		Interior ventilation screen DY 36 Ref. 84887436
exterior 	Exterior ventilation screen DY 35 Ref. 84887435	

FLUWI_E0024A

⇒ Ø 110/150 mm concentric Alu/PPs flue systems accessories : see page 27