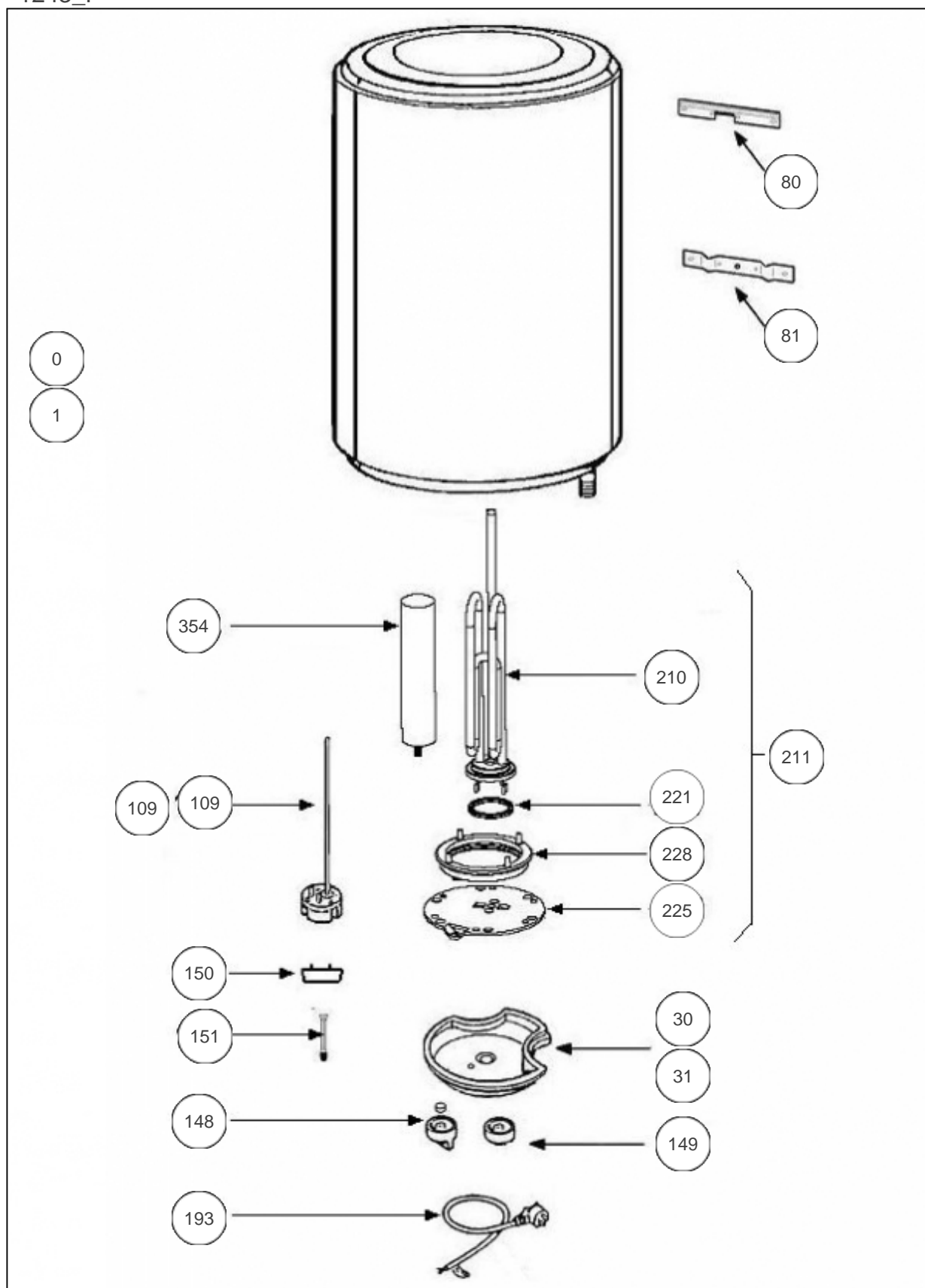


1243\_F



## Références

Position	Description	G
0	VALVULA 1/2 8 BARS LOW PRES. (WHITE)	029628
1	PLASTIC DIELECTRIC UNION 1/2	029019
30	WHITE PLASTIC COVER <i>-&gt;05.01</i>	022328
31	WHITE PLASTIC COVER KNOB <i>05.01-&gt;</i>	022370
80	WALL BRACKET <i>-&gt;03.16</i>	022327
81	WALL BRACKET <i>03.16 -&gt;</i>	022868
109	ROD TYPE THERMOSTAT L270 <i>05.01-&gt;</i>	070070
109	THERMOSTAT / KNOB / WHITE COVER <i>-&gt;05.01</i>	070242
148	DISPLAY PANEL KNOB <i>-&gt;05.01</i>	023275
149	CONTROL KNOB (TRANSLUCENT) <i>05.01-&gt;</i>	023279
150	INDICATOR LIGHT <i>05.01-&gt;</i>	021088
151	INDICATOR LIGHT <i>-&gt;05.01</i>	020049
193	POWER SUPPLY CABLE + EURO PLUG	020067
210	COPPER HEATING ELT (ONLY) WITHOUT GASKET	036413
211	HEATING ELEMENT 2000W + GASKET + ANODE	060413
221	GASKET FOR COPPER HEATING ELEMENT	040146
225	FLANGE PLATE (ENAMEL)	040444
228	LIP GASKET	040323
354	MAGNESIUM ANODE D18 L215 M6-6	029544