

BRIO TOP



ELECTRONIC DEVICE FOR ELECTRIC PUMP CONTROL

- Automatically controls starting and stopping of **single phase electric pumps with absorption up to 16A (3 HP)**.
- **It replaces completely the traditional water system set up** consisting on pressure switch and pressure tank or **can be used as a digital pressure switch with adjustable cut-in and cut-off thresholds** (in a pumping system with pressure tank).
- It starts the electric pump after a pressure decrease (taps opening) and stops it when the fluid flow interrupts at the maximum pressure level of the electric pump (taps closing) or when the set cut-off pressure is reached.
- **Digital pressure display.**
- Operation/error status signalling via LEDs and on-screen alerts.
- **Protection against dry running** in event of water shortage on the suction.
- **Automatic reset** in event of dry running, with autonomous error condition recovery.
- **Motor over current control** which trips in the event of overload or with the rotor blocked.
- **Anti-freeze protection** which starts up the pump when the ambient temperature falls below 4°C.
- **Rotor anti-blocking function** used to prevent seizure of mechanical parts during prolonged periods of pump inactivity.
- **Overpressure protection** able to stop the electric pump at a set threshold.
- **Settable trip pressure** during installation phase **via the digital display.**
- Standard 1" M hydraulic connections.
- Installation in any position ? **both vertical and horizontal** ? according to the flow direction.
- **Operation in master/slave configuration into twin booster sets.**
- **Terminals for remote connection** (1 input + 1 output).
- **Alarm log** for simple analysis of any system malfunctions.
- Removable electrical terminals to facilitate wiring.
- **No need of maintenance.**

APPLICATIONS: Pressure switches for water pumps, Electronic flow and pressure devices, Dry running protection



TECHNICAL DATA

Power supply: 115-230Vac \pm 10% 50/60Hz

Max rated current: 16A

Starting pressure range: 0,5-8,0bar

Max allowable pressure: 10 bar

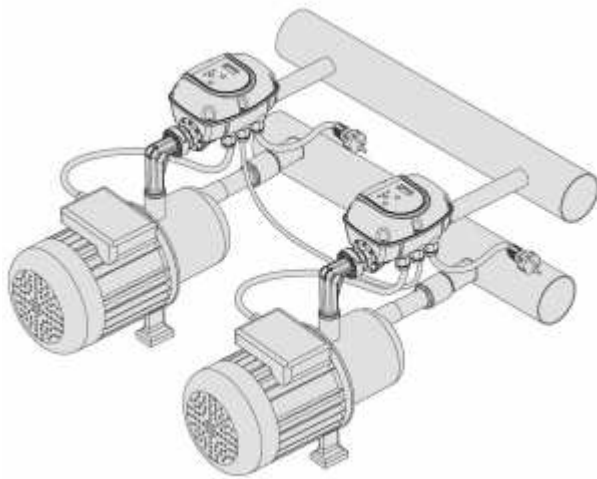
Protection degree: IP 65

Max fluid temperature: 30°C

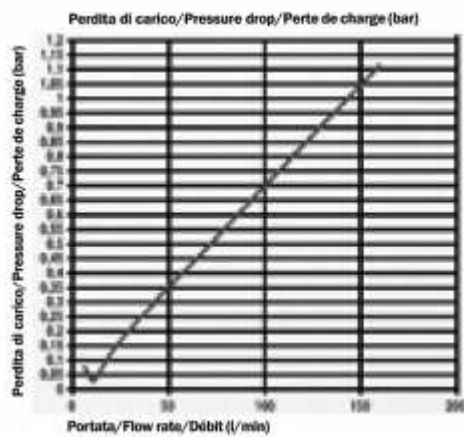
Max ambient temperature: 35°C



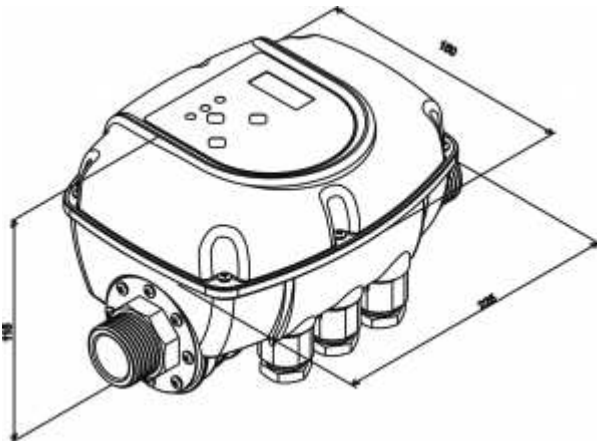
DRAWINGS



TWIN BOOSTER SET



Pressure drop diagram



DIMENSIONS



Any unauthorized reproduction or distribution of this document is forbidden. Italtecnica reserves the right to bring without notice any modification on technical data described in the present document. Italtecnica is not liable for any possible mistakes or omissions of the content.