

Robust quality tool for clean, fast cutting of pipes.
Stable magnesium version. For one-hand operation.

Plastic pipes, multilayer composite pipes $\leq \varnothing 26 \text{ mm}$
 $\leq \varnothing 1''$

REMS ROS P 26 – fast cutting in one cut

Stable magnesium version, extremely light.

For one-hand operation. Fast cutting in one cut.

Specially hardened and specially ground blade, exchangeable, PTFE-coated.
German quality product.

Right-angled, burr-free cut by pipe rest on both sides and blade guided on both sides.

Chipless cutting – no chips remaining in pipe.



Info



Supply format

REMS ROS P. Pipe shears for plastic and multilayer composite tubes.
With blade. In blister pack.

Description	Pipes $\leq \varnothing$ mm/inch	Art.-No.	
P 26	26 1"	291240	

Robust quality tool for clean, fast cutting of pipes.
With integrated pipe cutter for protective corrugated tubes.
Stable magnesium version. For one-hand operation.

P plastic tubes, composite tubes $\leq \varnothing 26 \text{ mm}$
 $\leq \varnothing 1''$

SW protective corrugated plastic tubes $\varnothing 18-35 \text{ mm}$
 $\varnothing \frac{3}{4}-1\frac{3}{8}''$

REMS ROS P 26/SW 35 – Fast cutting in one go up to $\varnothing 26 \text{ mm}$. With integrated pipe cutter for protective plastic corrugated tubes up to $\varnothing 35 \text{ mm}$.

Stable magnesium version, extremely light.

Specially hardened and specially ground blade, exchangeable, PTFE-coated.
German quality product.

Right-angled, burr-free cut by pipe rest on both sides and blade guided on both sides. 4 needle-bearing-mounted counter-pressure rollers for simple turning of the pipe and needle-bearing-mounted axle for easy cutting in one cut. Spring-loaded blade retraction.

Ergonomically designed handles with soft grip.

On-hand locking for safe transport.

Chip-free cutting – no chips left in the pipe.

Cutting of protective corrugated tubes by 4 cutting tools at the end of the handle.

Cutting depth limiting of the cutting tools prevents damage to the inner tube.

Cutting tools can all be rotated by 120° , for 3 times longer service life.



Info



Supply format

REMS ROS P 26/SW 35. Pipe shears for plastic and multilayer composite tubes.
Integrated pipe cutter for protective plastic corrugated tubes. With blade and 4 cutting tools. In blister pack.

Description	Pipes $\leq \varnothing$ mm/inch	Art.-No.	
P 26/SW 35	P 26/1" SW 35/1 $\frac{3}{8}$ "	291242	

Accessories

Description	Art.-No.	
Blade for REMS ROS P 26	291241	
Blade for REMS ROS P 26/SW 35	291243	
Cutting tool, pack of 4 for REMS ROS P 26/SW 35	291244	



Handy quality tools for clean, fast pipe cuts.
For thin-walled pipes also. Sturdy aluminium design.
For single-hand operation.

Plastic pipes, multi-layer composite tubes ≤ Ø 63 mm
≤ Ø 2"

REMS ROS P 35 / ROS P 35 A / ROS P 42 / ROS P 42 PS / ROS P 42 S / ROS P 63 P / ROS P 63 S

Sturdy aluminium design.

Replaceable, specially hardened blade.

For single-hand operation. Effortless working through power transmitting ratchet feed.

Quick reverse saves time and effort. REMS ROS P 35 A with automatic quick reverse after completion of cutting.

Right angle, burr-free cut through exact pipe support and guided blade on both sides.

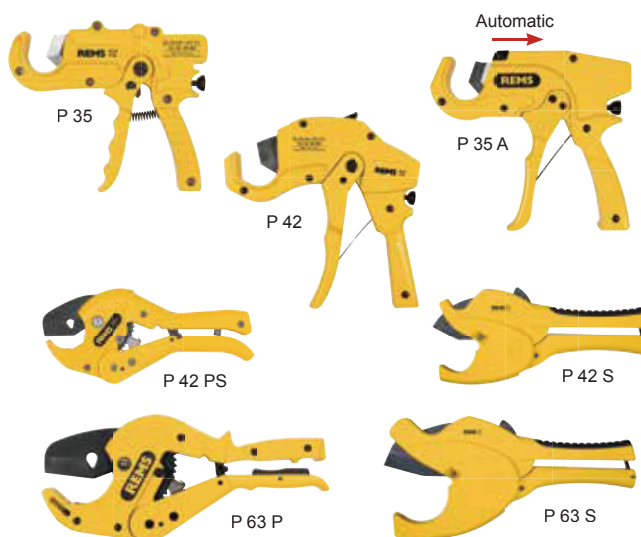
Chipless cutting – no chips remaining in pipe.



Supply format

REMS ROS P. Pipe shear for plastic pipes and multi-layer composite tubes. With blade. In blister pack/in box.

Description	Pipes ≤ Ø mm/inch	Art.-No.
P 35 with quick reverse	35 1 1/8"	291200
P 35 A with automatic quick reverse	35 1 1/8"	291220
P 42 with quick reverse	42 1 1/2"	291250
P 42 PS with quick reverse	42 1 1/2"	291000
P 42 S with quick reverse	42 1 1/2"	291010
P 63 P with quick reverse	63 2"	291270
P 63 S with quick reverse	63 2"	291290



Robust quality tools for clean, fast pipe cuts.

Plastic pipes ≤ Ø 75 mm
≤ Ø 2 1/2"

REMS ROS P 75 P

Robust steel version for rugged conditions and long life, with end stop for powerful engagement, also ideal for thick-walled plastic pipes.

Rough, non-slip handle for good grip.

Replaceable, specially hardened blade.

Fast, easy operation through guided ratchet on both sides and fine-toothed ratchet gear, specially hardened.

Right angle, burr-free cut through two-point pipe support and guided blade on both sides.

Chipless cutting – no chips remaining in pipe.



Supply format

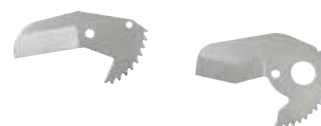
REMS ROS P. Pipe shear for plastic pipes. With blade. In a carton.

Description	Pipes ≤ Ø mm/inch	Art.-No.
P 75 P	75 2 1/2"	291101



Accessories

Description	Art.-No.
Blade for REMS ROS P 35	291201
Blade for REMS ROS P 35 A	291221
Blade for REMS ROS P 42	291251
Blade for REMS ROS P 42 PS	291023
Blade for REMS ROS P 42 S	291036
Blade for REMS ROS P 63 P	291271
Blade for REMS ROS P 63 S	291037
Blade for REMS ROS P 75	291111
Blade for REMS ROS P 75 P	291112



REMS Cut 110 P

Pipe cutting and pipe chamfering tool

Robust quality tool for right-angle, plain cutting and chamfering (15°) in one operation. Can be used anywhere, free-hand, on parallel vice or work bench.

Plastic pipes in
ABS, PB, PE, PE-HD, PE-X,
PP, PVC, PVDF Ø 40–110 mm

REMS Cut 110 P – cutting and chamfering at the same time.

Robust metal design for tough use.

Cutting and chamfering in one operation. While turning the tool shaft, also cutting only possible.

Fast and easy to use, ergonomic clamping grip.

Spring loaded clamp inserts in plastic for concentric clamping of different pipe sizes. Easy to change without tools.

Steplessly adjustable clamping pressure accommodates pipe tolerances.

Cutting and chamfering tool in hard metal with optimum cutter geometry ensures precise cutting and chamfering. Long service life.

Holder for workbench for effortless operation.

Tool set Cu-INOX and clamp inserts for cutting welded rain gutter pipes in copper, titanium zinc, stainless steel, as accessory.



Supply format

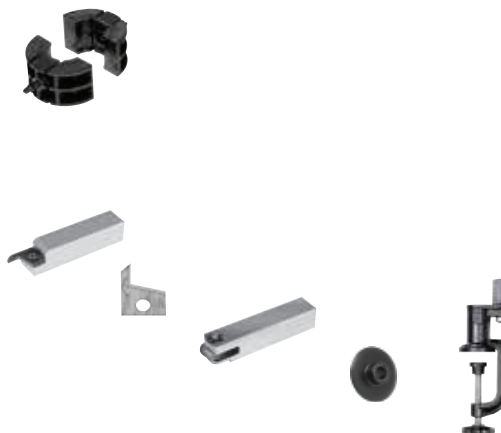
REMS Cut 110 P Set. Pipe cutting and pipe chamfering tool for plastic pipes in ABS, PB, PE, PE-HD, PE-X, PP, PVC, PVDF, Ø 40–110 mm. Quick clamping device Ø 110 mm with 2 each of clamping inserts Ø 50 and 75 mm. Tool set P with cutting and chamfering blade P, s 11. In sturdy case.

Description	Art.-No.
Set 50-75-110	290400



Accessories

Description	Pipes Ø mm	Art.-No.
Clamping inserts (pack of 2)	40	290420
	50	290421
	52	290422
	56	290444
	58	290423
	60	290445
	63	290427
	75	290424
	76	290446
	78	290425
	80	290447
	87	290448
	90	290426
100	290449	
Tool set P with cutting and chamfering blade P, s 11		290432
Cutting and chamfering blade P, s 11		290430
Cutting and chamfering blade P, s 15.5		290431
Tool set Cu-INOX with cutter wheel Cu-INOX 3–120, s 4		290433
REMS cutter wheel Cu-INOX 3–120, s 4		113210
Holder for work bench		290440
Case		290437



REMS Cut 110 Cu-INOX

Pipe cutting tool

Robust quality tool for right-angle cutting of welded pipe. Can be used anywhere, free-hand, on parallel vice or work bench.

Welded copper drainpipe/downpipe,
Titanium zinc, stainless steel (EN 1124) Ø 50–110 mm

REMS Cut 110 Cu-INOX – Easy cutting of downpipes.

Robust metal design for tough use.

Fast and easy to use, ergonomic clamping grip.

Spring loaded clamp inserts in plastic for concentric clamping of different pipe sizes. Easy to change without tools.

Steplessly adjustable clamping pressure accomodates pipe tolerances.

Cutting and chamfering tool in hard metal with optimum cutter geometry ensures precise cutting and chamfering. Long service life.

Holder for workbench for effortless operation.

Tool set P and clamp inserts for right-angle, plain cutting and chamfering (15°) of plastic pipe, as accessory, see page 84.



Supply format

REMS Cut 110 Cu-INOX Set. Pipe cutter for welded drainpipes/downpipes made of copper, titanium zinc, stainless steel (EN 1124), Ø 50–110 mm. Quick action clamp Ø 110 mm with clamp inserts. Tool set Cu-INOX with cutter wheel Cu-INOX 3–120, s 4. In sturdy case.

Description	Art.-No.
Set 50-75-110	290412
Set 60-80-100-110	290410
Set 76-87-100-110	290411



Accessories

Description	Art.-No.
Clamp inserts , see page 84.	
Tool set Cu-INOX with cutter wheel Cu-INOX 3–120, s 4	290433
REMS cutter wheel Cu-INOX 3–120, s 4	113210
Holder for work bench	290440

