

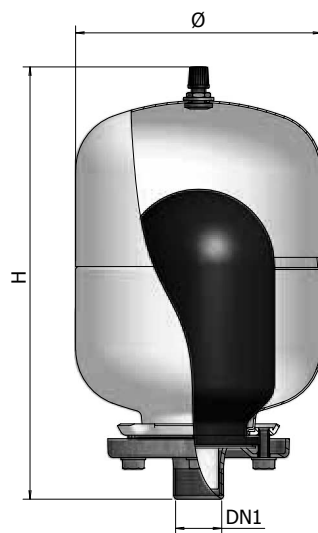
AC-2 / ER-CE

FIXED BLADDER EXPANSION TANKS FOR HEATING

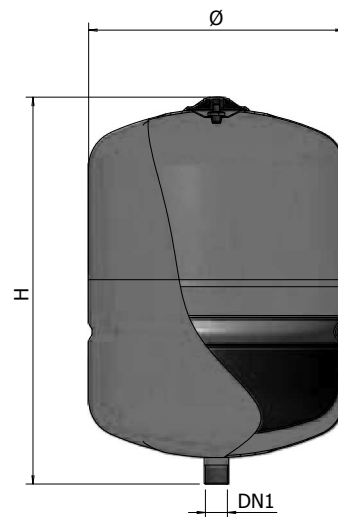
(2 - 24 LITRES)



AC - 2



ER 5 - 24



CE certified product



For non-drinking water



For heating systems



For air conditioning systems

Characteristics:

- Working temperature: -10° / +99°C
- Long lasting epoxy powder paint, red. (Model AC-2: white)
- Fixed bladder in SBR rubber
(Model AC-2: replaceable butyl bladder)
- Wall fixing bracket on request (see page 225)

Reference standard

- Declaration of conformity to essential safety requirements outlined by Directive 97/23/EC (PED).
Models AC-2/ER5 are without CE marking.

WARRANTY: 2 YEARS

DIMENSIONS

MODEL	CODE		Ppre	Pmax				DN1		NOTES
		LITRES	bar	bar	max	mm	mm	mm		
AC-2 *	A012J07	2	1,5	8	+99°C	130	230	3/4"	150 x 150 x 240	
ER 5 *	A102L11	5	1,5	8	+99°C	205	225	3/4"	210 x 210 x 250	
ER 8 CE	A102L16	8	1,5	8	+99°C	205	300	3/4"	210 x 210 x 320	
ER 12 CE	A102L20	12	1,5	8	+99°C	270	300	3/4"	280 x 280 x 310	
ER 18 CE	A102L24	18	1,5	8	+99°C	270	410	3/4"	280 x 280 x 450	
ER 24 CE	A102L27	24	1,5	8	+99°C	320	355	3/4"	330 x 330 x 375	

* Without CE marking

CHOICE OF THE EXPANSION TANK

The table simplifies the choice of the ELBI expansion tank to be installed in hot water systems. The selection of the tank can be effectuated starting from the system's total capacity or from the plant's power, taking into consideration an average content of 12 litres per 1000 Kcal/h of power and a plant's maximum working pressure of 3 bars

MODEL	PRE-CHARGE PRESSURE [BAR]	PLANT HEIGHT [m]	TANK ACCEPTABLE VOLUME [litri]	TANK ABSORPTION CAPACITY [%]	$\Delta T = (90 - 14)^{\circ}\text{C}$ Δ expansion coefficient 0,035		
					TOTAL WATER CONTENT IN THE PLANT [litres]	HEAT GENERATOR POWER	
						kcal/h	kW
AC-2	0,5	5	1,3	62,5	36	3.000	3,49
	1	10	1	50	29	2.400	2,79
ER 5	0,5	5	3,1	62	89	7.400	8,6
	1	10	2,5	50	71	5.900	6,86
ER 8 CE	0,5	5	5	62	143	11.900	13,84
	1	10	4	50	114	9.500	11,4
ER 12 CE	0,5	5	7,5	63	214	17.800	20,7
	1	10	6	50	171	14.250	16,57
ER 18 CE	0,5	5	11,3	63	323	26.900	31,3
	1	10	9	50	257	24.100	28,2
	1,5	15	6,7	37	191	15.900	18,5
ER 24 CE	0,5	5	15,5	65	443	36.900	43
	1	10	12	50	343	28.600	33,26
	1,5	15	9,3	39	266	22.200	25,82