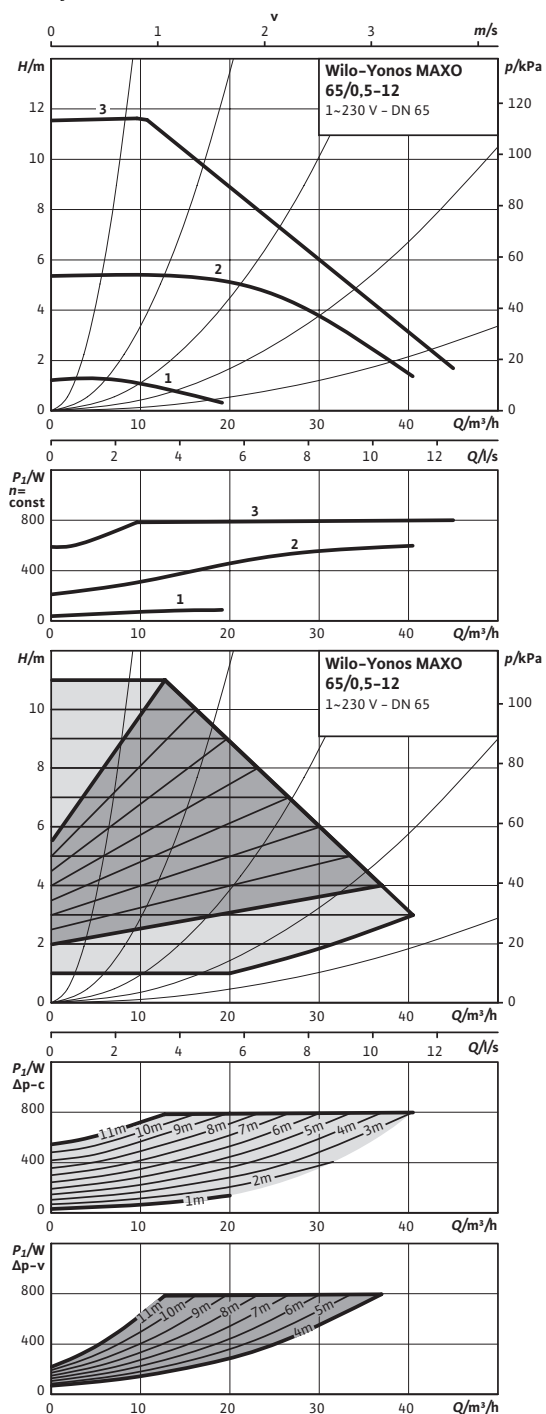


Data sheet: Wilo-Yonos MAXO 65/0,5-12

Pump curves



Approved fluids (other fluids on request)

Heating water (in accordance with VDI 2035)	•
Water-glycol mixtures (max. 1:1; above 20% admixture, the pumping data must be checked)	•

Permitted field of application

Temperature range at max. ambient temperature +40 °C	-20...+110 °C
Maximum permissible operating pressure	P_{max} 6/10 bar

Pipe connections

Flange	Combination flange PN6/10 (PN 16 flange according to EN 1092-2)
Nominal flange diameter	DN 65
Overall length	l_o 340 mm

Motor/electronics

Energy efficiency index (EEI)	≤ 0.23
Electromagnetic compatibility	EN 61800-3
Emitted interference	EN 61000-6-3
Interference resistance	EN 61000-6-2
Speed control	Frequency converter
Protection class	IP X4D
Insulation class	F
Mains connection	1~230 V, 50/60 Hz
Nominal motor power	P_2 650.00 W
Speed	n 800 - 2800 rpm
Power consumption	P_1 40 - 800 W
Current consumption	I 0.3 - 3.5 A
Motor protection	integrated
Threaded cable connection	PG M20x1.5

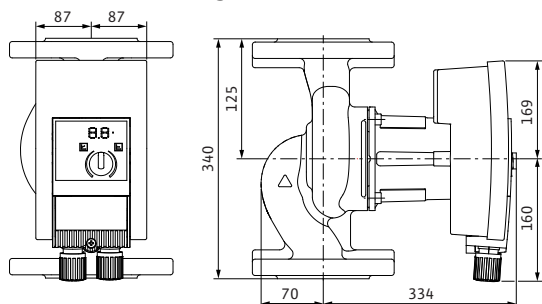
Materials

Pump housing	Grey cast iron (EN-GJL-250)
Impeller	Plastic (PP - 50% GF)
Pump shaft	Stainless steel (X30Cr13/X46Cr13)
Bearing	Carbon, metal impregnated

Minimum suction head at suction port for avoiding cavitation at water pumping temperature

Data sheet: Wilo-Yonos MAXO 65/0,5-12

Dimension drawing

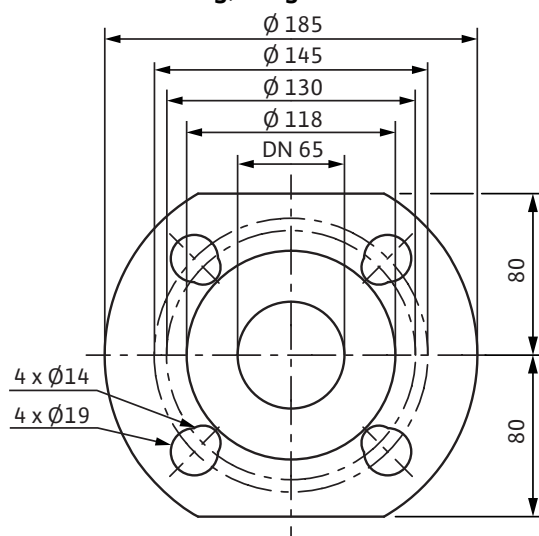


Minimum suction head at 50 / 95 / 110 °C 7 / 15 / 23 m

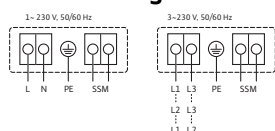
Information for order placements

Make	Wilo
Type	Yonos MAXO 65/0,5-12
Art no.	2120654
Weight approx.	<i>m</i> 26 kg

Dimension drawing, flange



Terminal diagram



Collective fault signal
(NC contact according to VDI 3814, load capacity 1 A,
250 V ~)

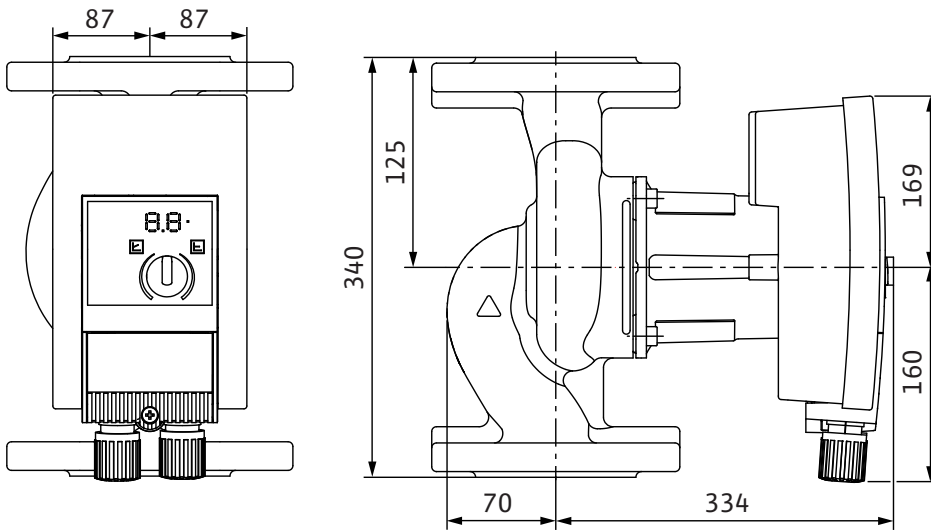
SSM:

For function, see Wilo catalogue, chapter "Pump
management Wilo-Control, consulting guide"



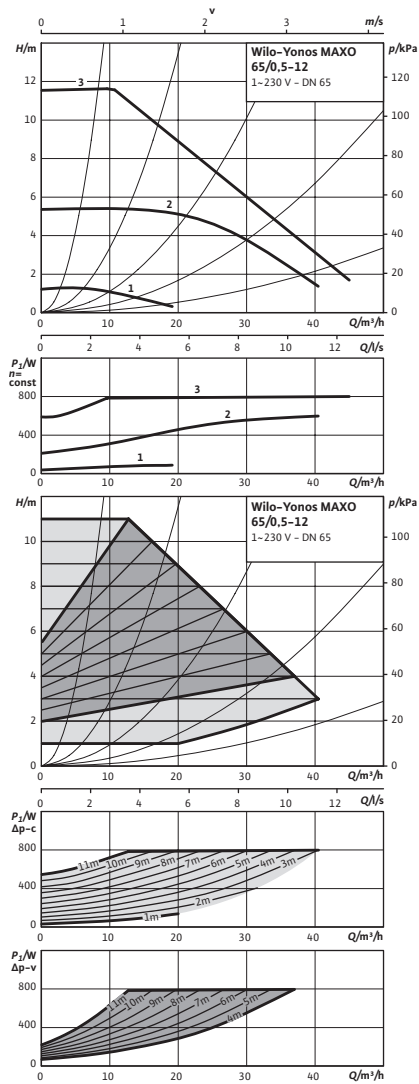
Dimensions and dimension drawings: Wilo-Yonos MAXO 65/0,5-12

Dimension drawing



Pump curves: Wilo-Yonos MAXO 65/0,5-12

Pump curves



Ordering information: Wilo-Yonos MAXO 65/0,5-12

Information for order placements

Make	Wilo	
Type	Yonos MAXO 65/0,5-12	
Art no.	2120654	
EAN number	4048482407913	
Colour	green/black	
Minimum order quantity	1	
Minimum order quantity unit	PCE	
Weight (net)	<i>kg</i>	25.8
Length (net)	<i>mm</i>	340
Width (net)	<i>mm</i>	185
Height (net)	<i>mm</i>	427
Weight (gross)	<i>kg</i>	29.3
Length (gross)	<i>mm</i>	525
Width (gross)	<i>mm</i>	385
Height (gross)	<i>mm</i>	375
Packaging type	Cardboard box	
Packaging property	Transport packaging	
Pieces per pallet	12	
Number per layer	4	

Specification texts: Wilo-Yonos MAXO 65/0,5-12

High efficiency pump Wilo-Yonos MAXO electronically controlled,

Glandless circulation pump, synchronous motor according to ECM technology and integrated power control for continuous differential pressure control. Can be used for all heating, ventilation and air-conditioning applications.

Equipped as standard with:

- Preselectable control modes for optimum load adjustment Δp -c (differential pressure constant), Δp -v (differential pressure variable)
- LED for setting the setpoint and displaying error messages
- Electrical connection with the Wilo-Connector
- Fault lamp and contact for collective fault signal

For flange pumps – flange versions:

- Standard version for pumps DN 32 to DN 65: Combination flange PN 6/10 (flange PN 16 acc. to EN 1092-2) for counter flanges PN 6 and PN 16
- Standard version for DN 80/DN 100 pumps: PN 6 flange (designed for PN 16 according to EN 1092-2) for PN 6 counter flange

Materials

Pump housing: Grey cast iron (EN-GJL-250)

Impeller: Plastic (PP – 50% GF)

Pump shaft: Stainless steel (X30Cr13/X46Cr13)

Bearing: Carbon, metal impregnated

Approved fluids (other fluids on request)

Max. volume flow: 40 m³/h

Max. delivery head: 12 m

Pipe connections

Nominal flange diameter: DN 65

Flange: Combination flange PN6/10 (PN 16 flange according to EN 1092-2)

Overall length: 340 mm

Motor/electronics

Energy efficiency index (EEI): ≤ 0.23

Electromagnetic compatibility: EN 61800-3

Emitted interference: EN 61000-6-3

Interference resistance: EN 61000-6-2

Speed control: Frequency converter

Protection class: IP X4D

Insulation class: F

Mains connection: 1~230 V, 50/60 Hz

Mains frequency: 50/60 Hz

Nominal motor power: 650.0 W

Speed: 800 – 2800 rpm

Power consumption 1~230 V: 0 / 0 / 800 W

Current at 1~230V: 0.30 – 3.50 A

Specification texts: Wilo-Yonos MAXO 65/0,5-12

Motor protection: integrated

Threaded cable connection: M20x1.5

Information for order placements

Art no.: 2120654

EAN number: 4048482407913

Weight approx.: 26 kg

Make: Wilo

Type: Yonos MAXO 65/0,5-12