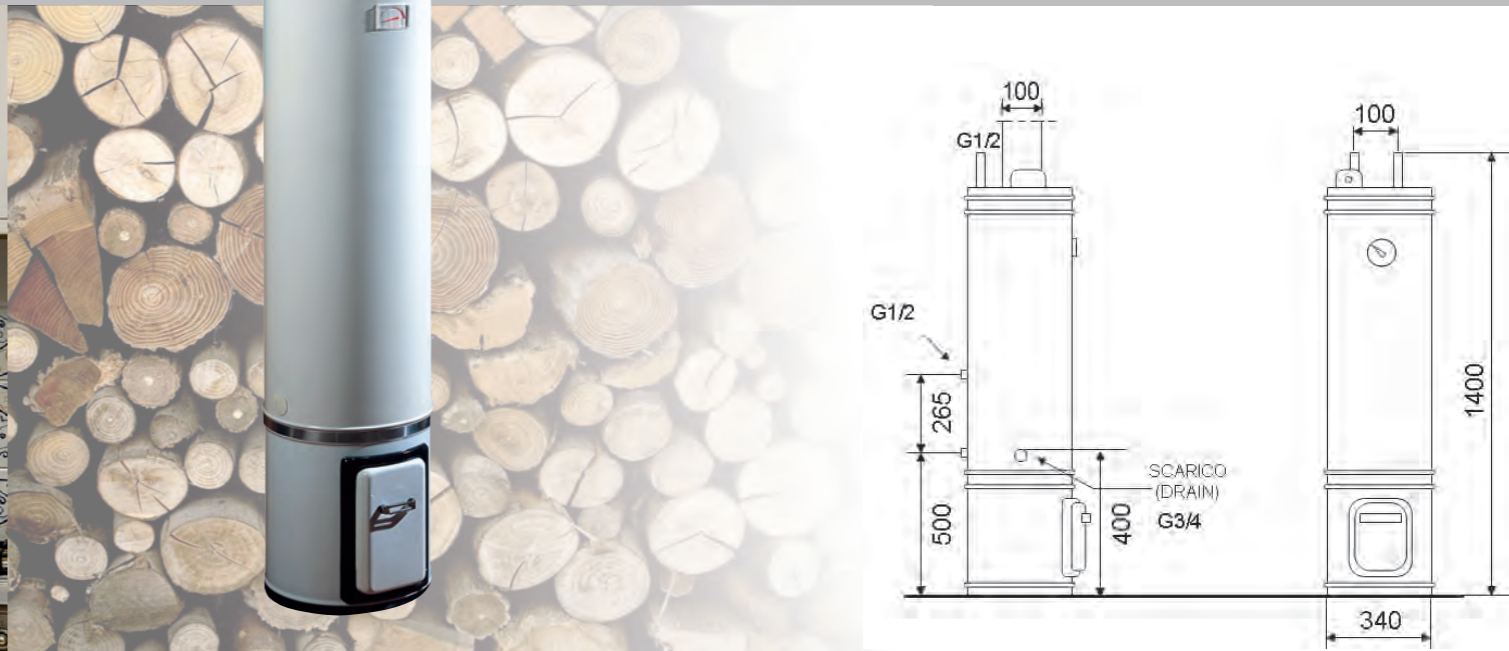


# SL SX SZ 80

SL=Wood water heater

SX= Wood water heater fitted with electric heating element and thermostat for connection to power supply.

SZ=Wood water heater fitted with electric heating element and thermostat for connection to power supply and heat exchanger coil for connection to the central heating system.



MODEL	Power of heat exchanger Kw eff ΔT 35°C	Power W	Voltage V	Surface of heat exchanger SQM	Max Temperature °C	Max Pressure (bar)
SL 80					75	8
SX80		1200	230		75	8
SZ80	8,1	1200	230	0,26	75	8

model	Ref. Code	Bar Code	description
	<b>2 YEARS GUARANTEE</b>		<b>:Wood water heater SL series</b>
SL 80	SL0080C2V	8023945 360222	Wood
	<b>5 YEARS GUARANTEE</b>		
SL 80	SL0080C5V	8023945 360253	Wood
	<b>2 YEARS GUARANTEE</b>		<b>Wood electric water heater SX series</b>
SX 80	SX0080C2V	8023945 360220	Wood –Electric
	<b>5 YEARS GUARANTEE</b>		
SX 80	SX0080C5V	8023945 360251	Wood –Electric
	<b>2 YEARS GUARANTEE</b>		<b>Wood thermoelectric water heater SZ series</b>
SZ 80	SZ0080C2V	8023945 360215	Wood –Thermoelectric
	<b>5 YEARS GUARANTEE</b>		
SZ 80	SZ0080C5V	8023945 360252	Wood –Thermoelectric

- component standard ROSH
- armoured copper heating element
- magnesium anode
- safety thermostat
- polyurethane insulation
- safety valve