

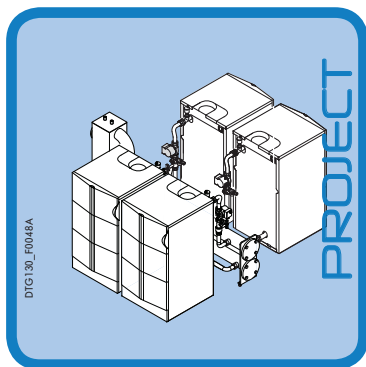
FROM 68.8 TO 736.2 McAL/H  
FROM 80 TO 856 kW

# ELIDENS

## DTG 130-45, 65, 90 OR 115 CASCADE SYSTEMS



Cascade systems with 2 to 8 boilers, to be put together according to the chosen combination



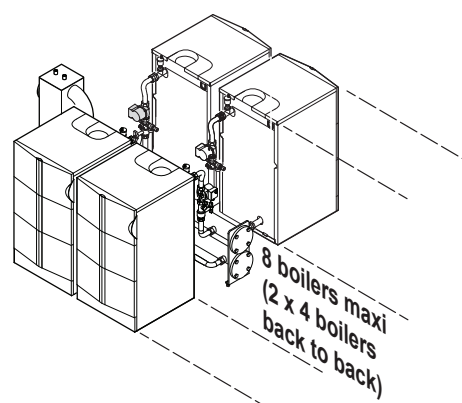
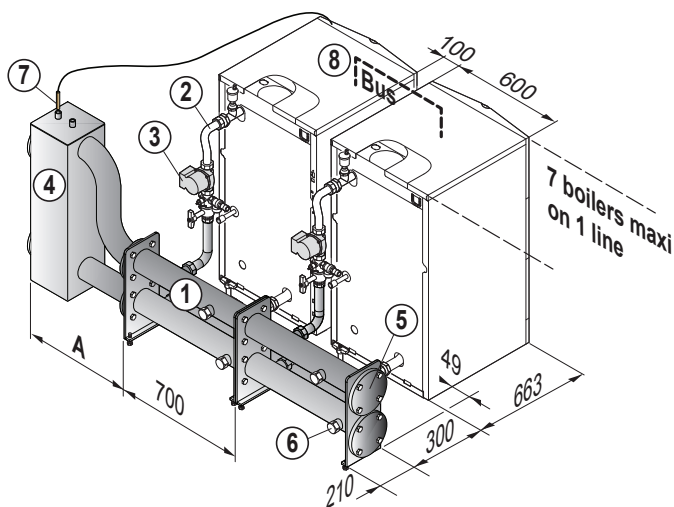
DTG 130-45 to 115 cascade systems can be put together by the installer based on the components listed below.

It is possible to form cascades:

- Of 2 to 7 boilers mounted in line;
- Of 2 to 8 boilers mounted back to back.

The boilers can be ordered from page 136 of Product Catalogue 2013.

### CASCADE SCHEMATICS WITH MAIN DIMENSIONS (mm)



Code	Package	A (mm)
④	HC 222	279
④	HC 200	619
④	HC 201	633

### LIST OF PACKAGES TO ORDER ACCORDING TO THE COMBINATION DESIRED

CODE	DESCRIPTION	PACKAGE	REF.
①	Collector: - DN 65 (instal. ≤ 460 kW) - DN 100 (instal. > 460 kW)	HE 35 HE 34	<b>100011703</b> <b>100011492</b>
②	Boiler connection kit: - DTG 130-45 et 65 - DTG 130-90 et 115	HE 32 HE 33	<b>100011490</b> <b>100011491</b>
③	3-stage heating pump: - DTG 130-45 - DTG 130-65 - DTG 130-90 à 115	HC 141 HC 143 HC 145	<b>100002312</b> <b>100002314</b> <b>100002316</b>
④	Decoupling cylinder: - DN 65 (installation ≤ 350 kW) - DN 65 (installation > 350, ≤ 460 kW) - DN 100 (installation > 460 kW)	HC 222 HC 200 HC 201	<b>114311</b> <b>111712</b> <b>111714</b>
⑤	Blind flanges for water collector (set of 2): - DN 65 - DN 100	HC 198 HC 199	<b>111701</b> <b>111703</b>
⑥	Set of 2 plugs (in line mounting)	HC 195	<b>111708</b>
⑦	Cascade flow sensor + sensor tube: - for decoupling cylinder HC 222 - for decoupling cylinder HC 200 and 201	HC 223 HC 206	<b>100013027</b> <b>100008701</b>
⑧	Inter-boiler BUS connection cable, length 1,5 m	AD 124	<b>88017836</b>

HYDRAULIC OPTIONS	PACKAGE	REF.
Set of elbows DN 65	HC 209	<b>111788</b>
Set of elbows DN 100	HC 210	<b>111790</b>
Insulation for DN 65 and DN 100 elbows	HC 216	<b>111167</b>
Set of counter flanges to be welded DN 65	HC 217	<b>112632</b>
Set of counter flanges to be welded DN 100	HC 218	<b>112633</b>
HC 222 decoupling cylinder insulation	HC 224	<b>115269</b>
HC 200 and HC 201 decoupling cylinder insulation	HC 215	<b>111067</b>
Adjustable foot for collector	HC 219	<b>111807</b>

OTHERS OPTIONS	PACKAGE	REF.
Gas filter DN 50	HC 255	<b>S101655</b>
Gas filter DN 65	HC 256	<b>S101656</b>
Extension pipe for gas filter Ø 50 mm	HC 211	<b>111805</b>
Extension pipe for gas filter Ø 65 mm	HC 212	<b>111806</b>
Set of 2 weld-on flanges DN 50 for gas filter	HC 261	<b>S103345</b>
Flue gas adapter Ø 80 to 100 mm	DY 768	<b>84887768</b>

