

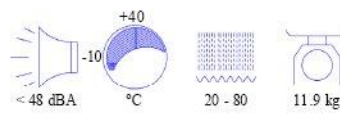
DBMX200



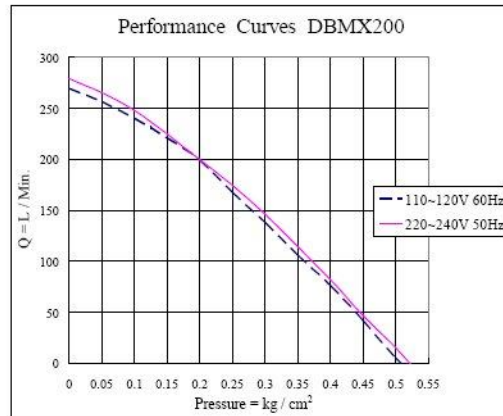
« Previous Product

**Model No. DBMX200**

Performance / Rendimiento / Prestanda

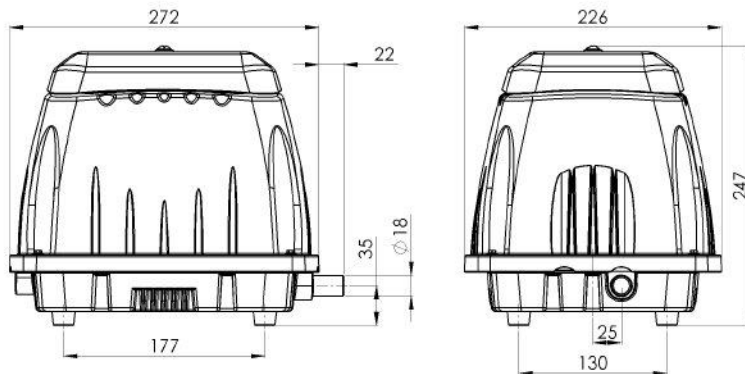


★ Allowance :  $\pm 5\%$



**Exhaust**

Dimensions / Dimensioner (mm)



Model No.	Voltage (VAC)	Frequency (HZ)	Rated Pressure (kg/cm <sup>2</sup> )	Airflow (LPM)	AMP (A)	WATT (W)
DBMX200	110 ~ 120	60	0.2	200	3.7	225
DBMX200	220 ~ 240	50	0.2	200	1.75	230